

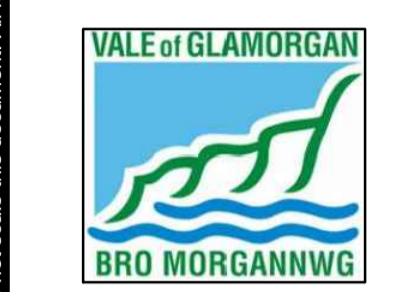
**NOTES**

1. TO BE READ IN CONJUNCTION WITH ALL OTHER RELEVANT DOCUMENTATION / INFORMATION.
2. DIMENSIONS AND LEVELS ARE IN METRES UNLESS OTHERWISE STATED.



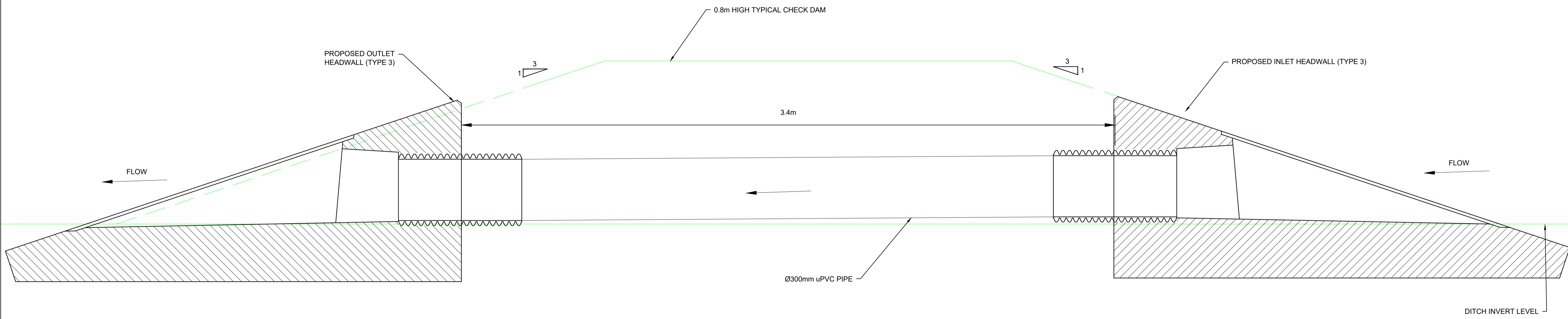
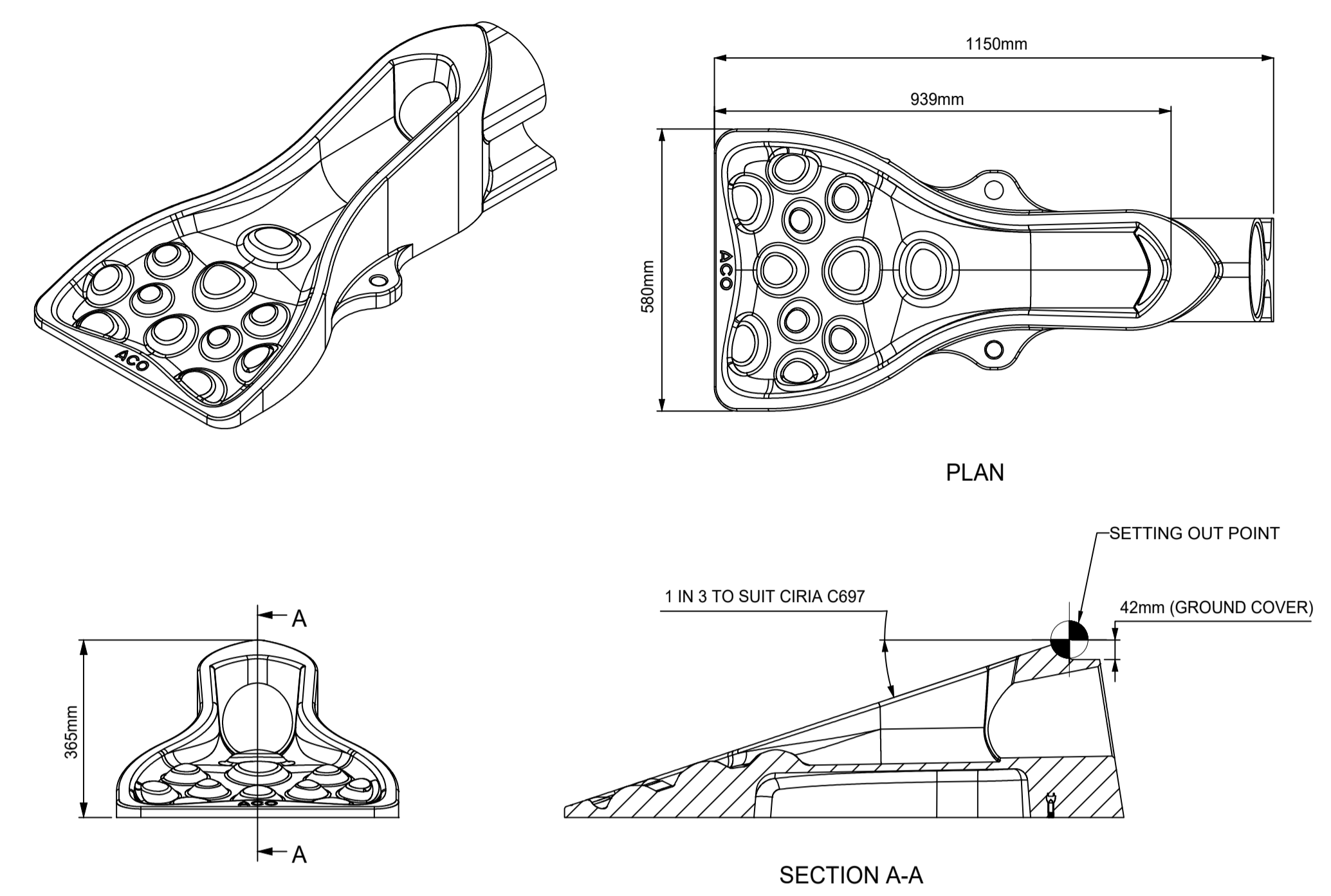
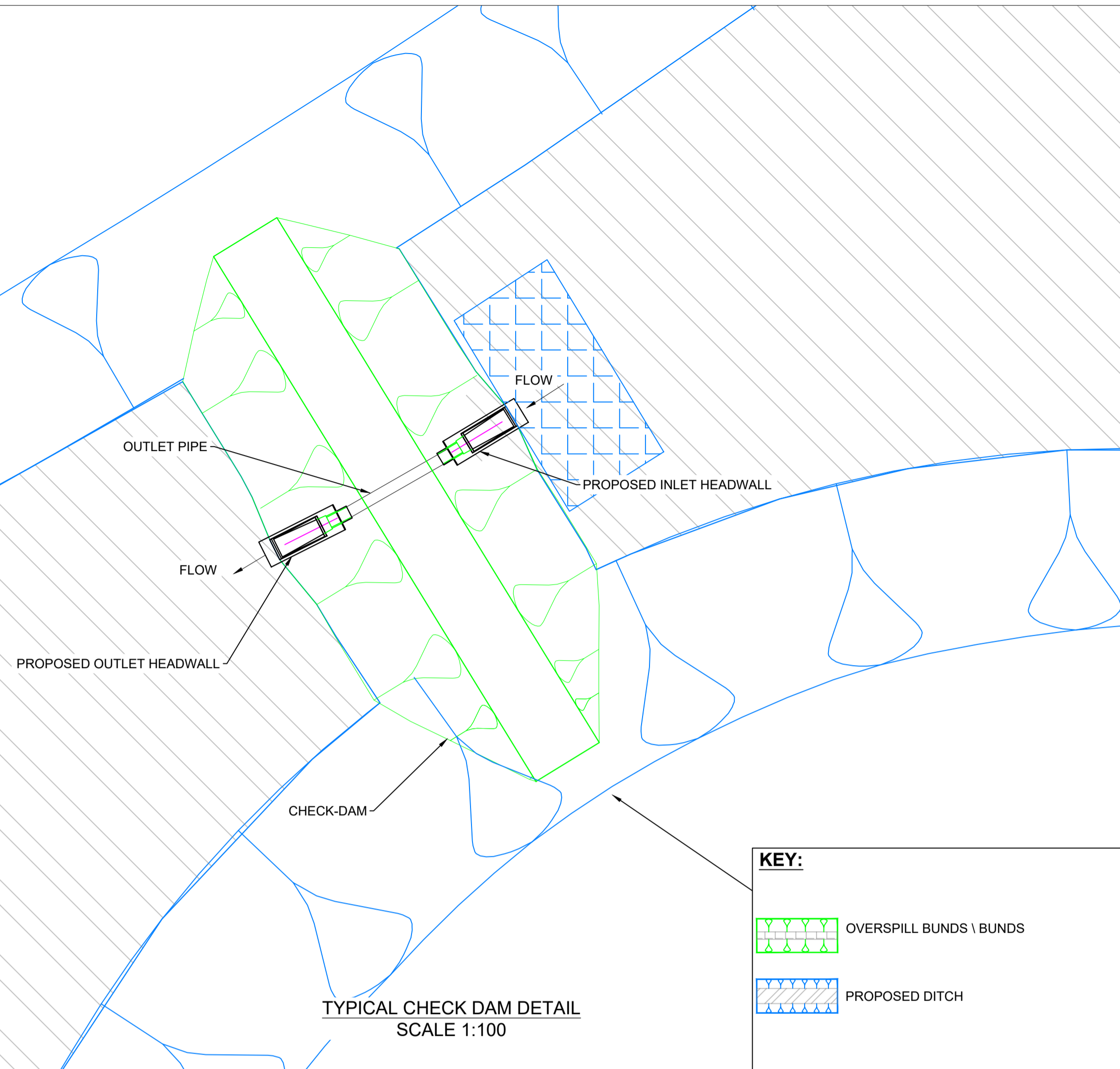
**PROJECT**  
**LLANMAES VILLAGE FLOOD ALLEVIATION SCHEME**

**CLIENT**  
 VALE OF GLAMORGAN COUNCIL



**CONSULTANT**  
 AECOM  
 1 CALLAGHAN SQUARE  
 CARDIFF  
 CF10 5BT  
 TEL: (029) 20674600  
 FAX: (029) 20674699

ISO A1 594mm x 841mm  
 Approved: RM  
 Checked: ATz  
 Designer: KP  
 Project Management Initials:  
 60160078-ACM-SHT-30-9000-CT-9000.DWG  
 STANDARD DETAIL S0148-ACM-SHT-30-9000-CT-9000.DWG  
 2000 - MISCELLANEOUS  
 CADDIS.3 DRAWINGS SERIES  
 2021-07-08  
 RHYSDAVIDS(2021-03-15) Last Plotted:  
 F:\PROJECTS\HIGHWAYS - LLANMAES FLOOD ALLEVIATION SCHEMES\0 CADDIS.3 DRAWINGS SERIES 2000 - MISCELLANEOUS\00 9000 STANDARD DETAIL S0148-ACM-SHT-30-9000-CT-9000.DWG  
 Printed on: 100% Recycled Content Paper



**STATUS**  
 DETAILED DESIGN

ISSUE/REVISION		
IR	DATE	DESCRIPTION
C	07/07/2021	FOR PRICING
B	26/02/2021	DETAILED DESIGN
A	16/12/2020	DRAFT DETAILED DESIGN

**PROJECT NUMBER**  
 60160078  
**SHEET TITLE**  
 LLANMAES VILLAGE FLOOD ALLEVIATION SCHEME STANDARD DETAILS SHEET 6 OF 7  
**SHEET NUMBER**  
 60160078-ACM-SHT-30-9000-CT-9005