

Last saved by: RHYSDAVIES2021-05-26 | Last Plotted: 2021-07-08  
 Filename: \UKCDF\FF02\UKCDF\FF02-V11\PROJECTS\HIGHWAYS - LLANMAES FLOOD ALLEVIATION SCHEME\B.0 CADD\5.3 DRAWINGS\SERIES 0500 - DRAINAGE\_DUCTS\00 0510 CULVERT CROSSING SECTIONS\60160078-ACM-SHT-30-0500-CT-0510.DWG  
 Designer: KP  
 Checked: ATZ  
 Approved: RM  
 ISO A1 841mm x 641mm

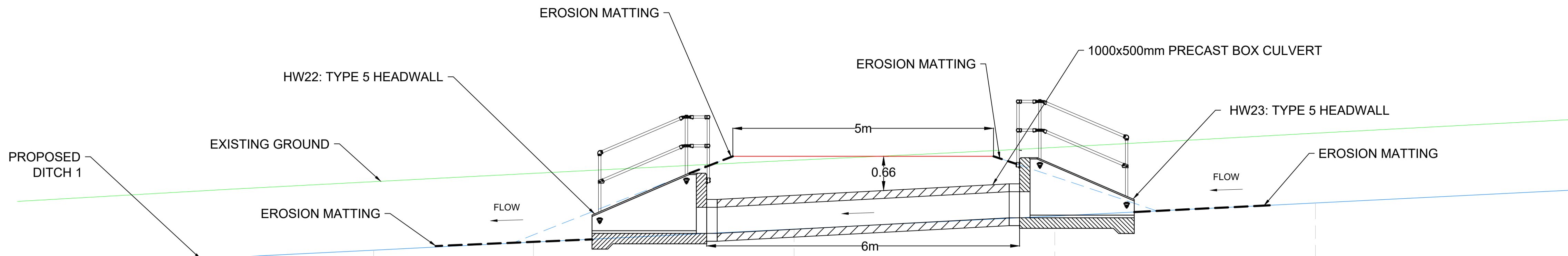


**PROJECT**  
 LLANMAES VILLAGE  
 FLOOD ALLEVIATION  
 SCHEME

**CLIENT**  
 VALE OF GLAMORGAN COUNCIL



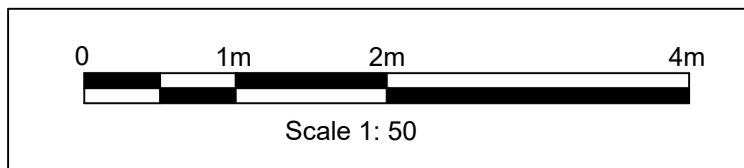
**CONSULTANT**  
 AECOM  
 1 CALLAGHAN SQUARE  
 CARDIFF  
 CF10 5BT  
 TEL: (029) 20674600  
 FAX: (029) 20674699



Level Datum =47.000

CHAINAGE	70.000	71.667	73.333	75.000	76.336	80.000	85.000	90.000	95.000	100.000	
FARM CROSSING						53.299	55.008	55.008	53.963		
DITCH 1	52.864	52.948	53.031	53.114	53.211	53.364	53.614	53.864	54.114	54.364	
GRADIENT	5.000	5.000	5.000	5.000	5.000	5.000	5.000	5.000	5.000	5.000	
E.G.L	54.158	54.233 54.250	54.302 54.329	54.423	54.500 54.528	54.643 54.680 54.690	54.788 54.854	54.934 54.959 54.987 55.000 55.004 55.004	55.158 55.177 55.179	55.236 55.267	55.451 55.500
HORIZONTAL				R=50.000m L=38.805m				G=5.000 L=109.992m			
VERTICAL											

BC1  
SCALE 1:50



- NOTES**
- TO BE READ IN CONJUNCTION WITH ALL OTHER RELEVANT DOCUMENTATION / INFORMATION.
  - DIMENSIONS AND LEVELS ARE IN METRES UNLESS OTHERWISE STATED.
  - DO NOT SCALE FROM THIS DRAWING. USE ONLY PRINTED DIMENSIONS.
  - FOR CROSS SECTION REFERENCE PLAN REFER DRAWING NO. 60160078-ACM-SHT-30-0500-CT-0501 - 0508.
  - REFER TO DRAWINGS 60160078-ACM-SHT-30-0500-CT-0501 - 0508.

**STATUS**  
 DETAILED DESIGN

ISSUE/REVISION	DATE	DESCRIPTION
B	07/07/2021	FOR PRICING
A	26/02/2021	DETAILED DESIGN
IR		

**PROJECT NUMBER**  
 60160078  
**SHEET TITLE**  
 LLANMAES VILLAGE  
 FLOOD ALLEVIATION SCHEME  
 CULVERT CROSSING CROSS SECTIONS  
 SHEET 7 OF 7  
**SHEET NUMBER**  
 60160078-ACM-SHT-30-0500-CT-0516

This drawing has been prepared for the use of AECOM's client. It may not be used, modified, reproduced or relied upon by third parties, except as agreed by AECOM or as required by law. AECOM accepts no responsibility, and denies any liability whatsoever, to any party that uses or relies on this drawing without AECOM's express written consent. Do not scale this document. All measurements must be obtained from the stated dimensions.