


ISO A1 594mm x 841mm
 Approved: RM
 Checked: ATZ
 Designer: KP
 Project Manager: JWG
 Project No: 60160078-ACM-SHT-30-0500-CT-0510
 Drawing No: 60160078-ACM-SHT-30-0500-CT-0510-0508
 Project Name: LLANMAES FLOOD ALLEVIATION SCHEME
 Project Location: LLANMAES VILLAGE FLOOD ALLEVIATION SCHEME
 Project Description: CULVERT CROSSING SECTIONS
 Project Date: 2021-07-08
 Project File: N:\KCDP\IP002\UKCDF\IP002-VT\PROJECTS\HIGHWAYS - LLANMAES FLOOD ALLEVIATION SCHEME\0 CAD\05.3 DRAWINGS\SERIES 0500 - DRAINAGE\DUCTS\0510 CULVERT CROSSING SECTIONS\60160078-ACM-SHT-30-0500-CT-0510-0508.dwg

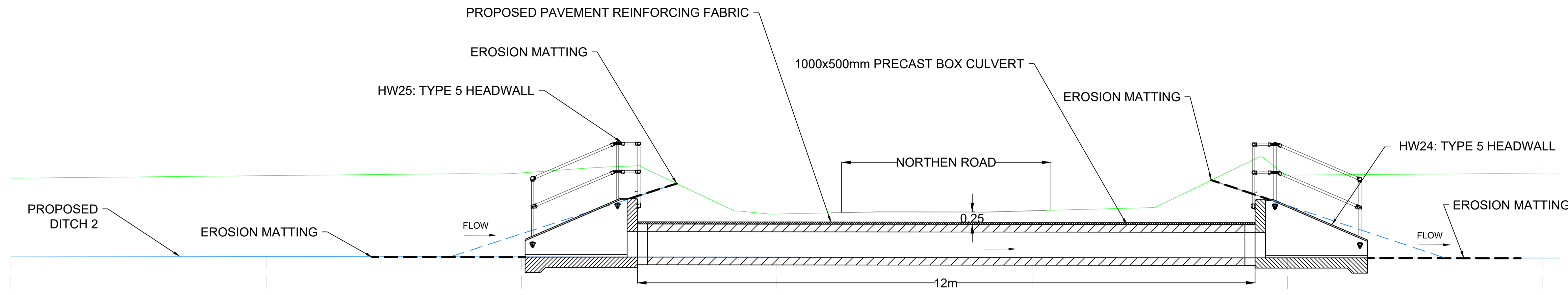
AECOM

PROJECT
LLANMAES VILLAGE FLOOD ALLEVIATION SCHEME

CLIENT
 VALE OF GLAMORGAN COUNCIL



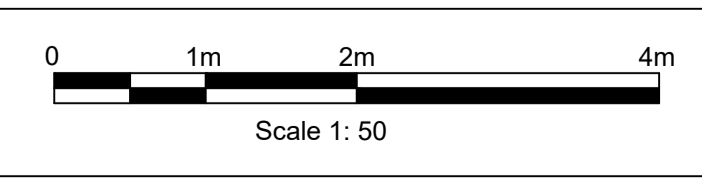
CONSULTANT
 AECOM
 1 CALLAGHAN SQUARE
 CARDIFF
 CF10 5BT
 TEL: (029) 20674600
 FAX: (029) 20674699



Level Datum = 55.000

DITCH 2	60.505	60.499	60.492	60.486	60.479	60.473	60.466	
GRADIENT	-0.131	-0.131	-0.131	-0.131	-0.131	-0.131	-0.131	
E.G.L	62.055	62.083	62.122 62.114 62.122 62.137	62.233 62.250 62.278 62.190	61.390 61.384 61.328 61.335	61.372 61.370 61.366 61.394 61.395	61.456 61.563 62.455 62.441 62.095	62.121 62.121 62.117
HORIZONTAL					L=49.381m			
VERTICAL					L=414.945m G=-0.131			
CHAINAGE	400.000	405.000	410.000	415.000	420.000	425.000	430.000	

BC3
SCALE 1:50



- NOTES**
- TO BE READ IN CONJUNCTION WITH ALL OTHER RELEVANT DOCUMENTATION / INFORMATION.
 - DIMENSIONS AND LEVELS ARE IN METRES UNLESS OTHERWISE STATED.
 - DO NOT SCALE FROM THIS DRAWING, USE ONLY PRINTED DIMENSIONS.
 - FOR CROSS SECTION REFERENCE PLAN REFER DRAWING NO. 60160078-ACM-SHT-30-0120-CT-0120
 - REFER TO DRAWINGS 60160078-ACM-SHT-30-0500-CT-0501 - 0508.

STATUS
 DETAILED DESIGN

ISSUE/REVISION

NO	DATE	DESCRIPTION
B	07/07/2021	FOR PRICING
A	26/02/2021	DETAILED DESIGN
IR		

PROJECT NUMBER
 60160078

SHEET TITLE
 LLANMAES VILLAGE FLOOD ALLEVIATION SCHEME
 CULVERT CROSSING CROSS SECTIONS
 SHEET 4 OF 7

SHEET NUMBER
 60160078-ACM-SHT-30-0500-CT-0513