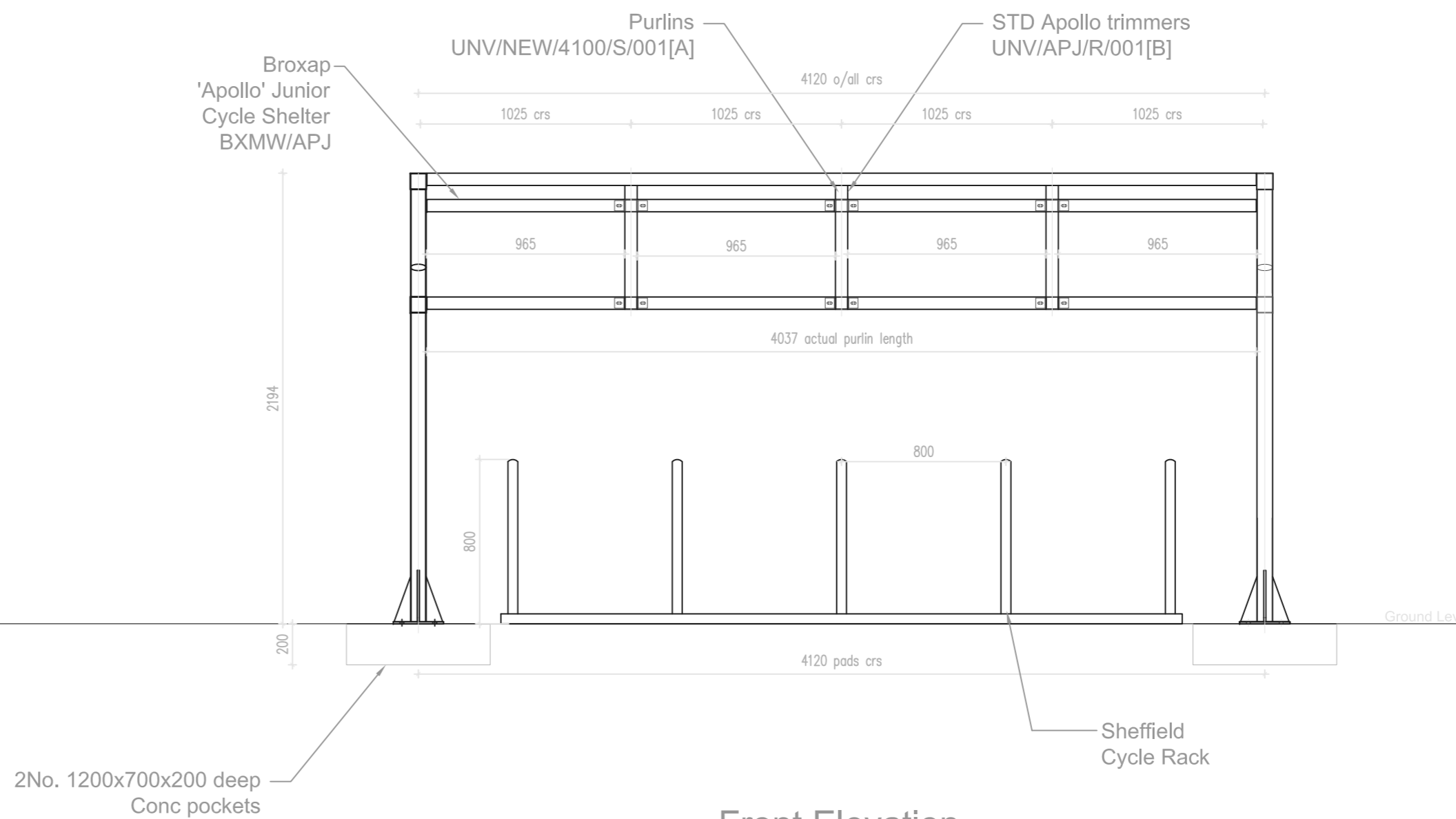
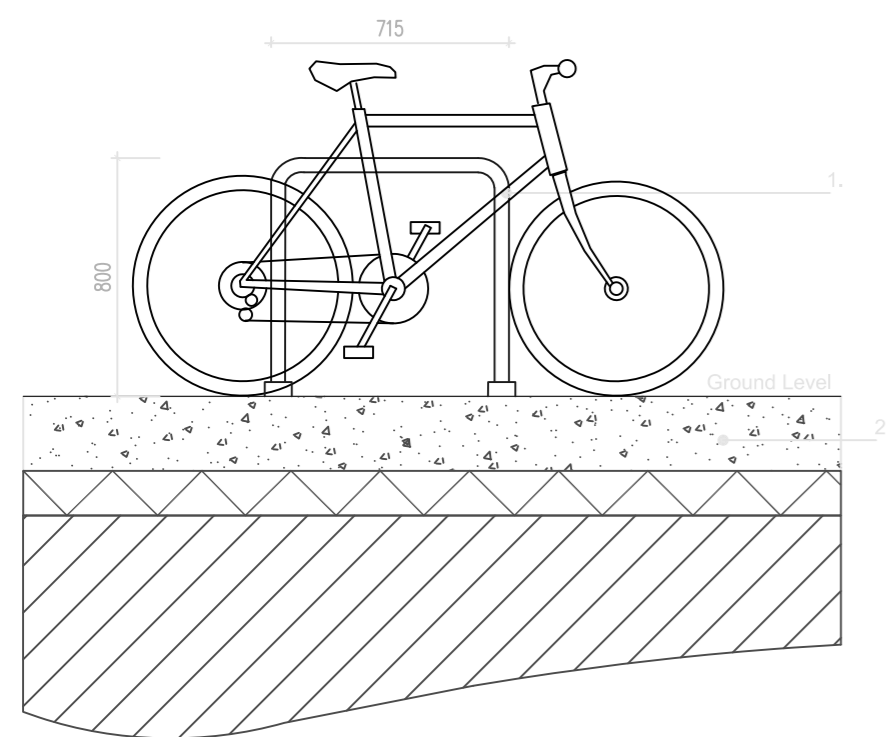


Side Elevation
Scale- 1:25



Front Elevation
Scale- 1:25

2No. 1200x700x200 deep Conc pockets



Cycle Rack Detail Side Elevation
Scale- 1:25

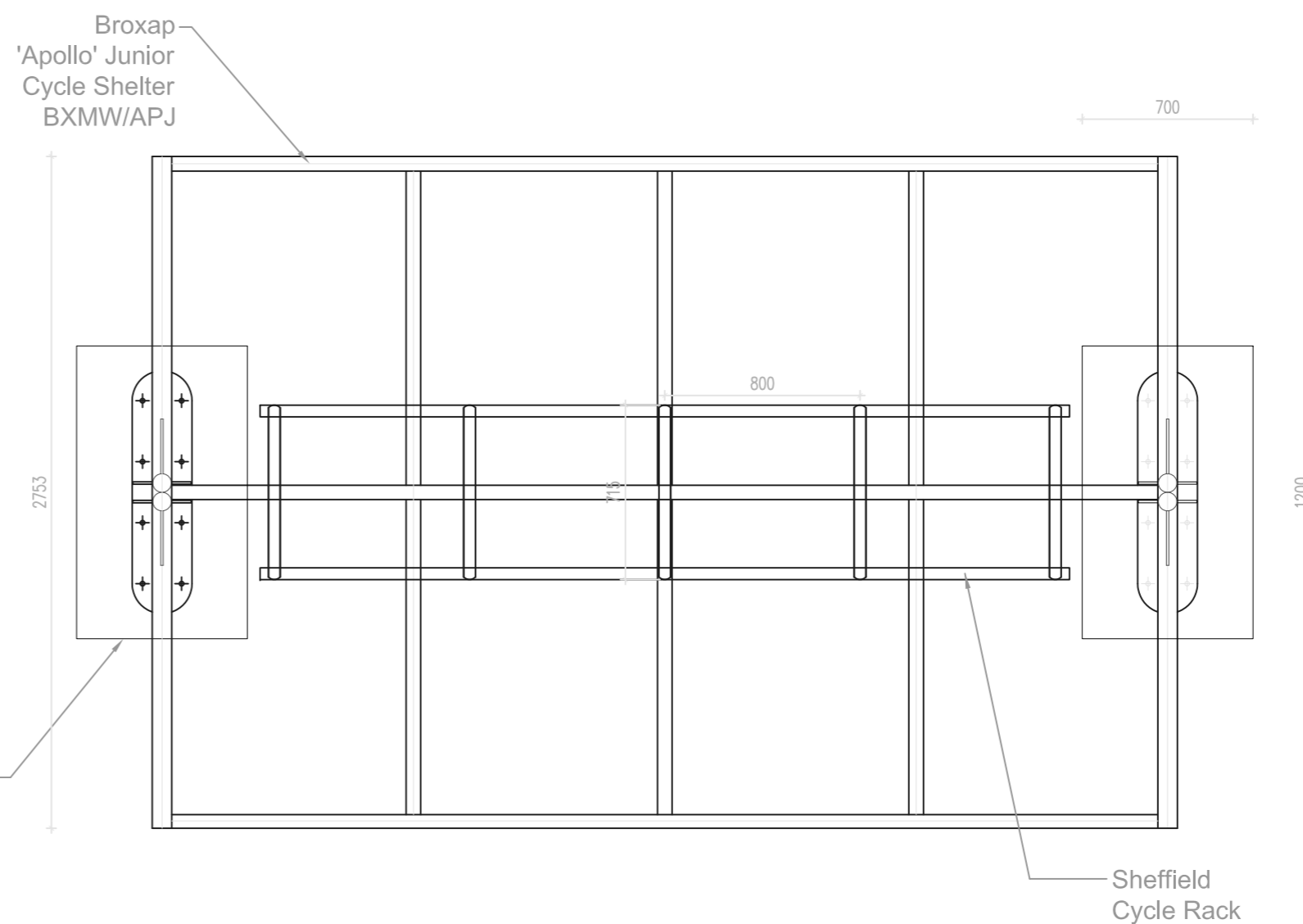
Notes:

1. Broxap 'Sheffield Style' Cycle Rack (5 hoop rack), BXMW/GS or equal approved; galvanised steel finish.

Rack to be base plate fixed, as per Manufacturers Design & Specification.

Finishes to be galvanised.

2. Insitu concrete surfacing and foundation work as per Engineers Design & Specification.



Plan View
Scale- 1:25

2No. 1200x700x200 deep Conc pockets

PL	PI03	07.08.20	FOR PLANNING	REVISED BY
STATUS	REV	DATE	DESCRIPTION	
CLIENT				CS
VALE OF GLAMORGAN COUNCIL				CHECKED BY
				JP
				ORIGINATOR NO
				152853

CONSULTANT
STRIDE TREGLOWN
www.stride-treglow.com © Stride Treglow Limited 2016
PROJECT
St Nicholas Primary School

DRAWING TITLE
CYCLE SHELTER AND STANDS

SUITABILITY STATUS	SCALE
PL: Authorized and accepted	1:25@A2
PROJECT ORIGINATOR ZONE LEVEL TYPE ROLE CLASSIFICATION NUMBER	REVISION
SNPS-STL-XX-XX-DR-L-9401	PL_PL03