



Tree Survey

At

The Former Cowbridge Comprehensive School Cowbridge

*Inspected by:-
Julian Wilkes BSc.For, MSc.Land Man, MIC.For, TechArborA
Treescene Ltd
The Walled Garden
Old Coedarhydyglyn
St Nicholas
Cardiff
CF5 6SG
Tel No. 029 20599300*

15th October, 2018

**Registered Office: Treescene Limited
The Walled Garden, Old Coedarhydyglyn, St. Nicholas, Cardiff CF5 6SG
Tel. 029 205 99300 Email. trees@treescene.co.uk**

I have been instructed by Steffan Harries of LRM Planning to carry out a survey on trees at The Former Cowbridge Comprehensive School, Cowbridge.

Scope of Report

This Tree Survey has been undertaken within the recommendations of British Standards 5837:2012 and current good arboricultural practice.

The survey entailed a visual inspection from ground level of all trees.

Each tree has been numbered and, where instructed, have been tagged using small durable metal or plastic tags.

Due to variations of existing ground levels through the site, height dimensions are estimated and are given in metres.

Trunk/stem diameters are measured at 1.5 metres above ground level, or immediately above the root flare for multi-stemmed trees.

Estimated branch spread is taken in metres from the centre of the trunk, at the four cardinal points of a compass, to achieve an accurate representation of crown shape.

An assessment of a tree's age classification is made in terms of its maturity within the site's landscape.

An assessment of a tree's physiological condition is made as good, fair, poor, dead.

Data on the structural condition of the tree has been entered, e.g., collapsing, leaning and the presence of any decay or physical defect has been noted.

Preliminary management recommendations include further investigation of suspected defects that require more detailed assessment or potential for wildlife habitat.

An assessment of a tree's future life expectancy is made as <10, 10-20, 20-40 or >40 etc.

Table 1 – Cascade chart for tree quality assessment

Category and definition	Criteria (including subcategories where appropriate)		
<p><u>Category U</u> Those in such a condition that they cannot realistically be retained as living trees in the context of the current land use for longer than 10 years</p>	<ul style="list-style-type: none"> • Trees that have a serious, irremediable, structural defect, such that their early loss is expected due to collapse, including those that will become unviable after removal of other U category trees (i.e. where, for whatever reason, the loss of companion shelter cannot be mitigated by pruning) • Trees that are dead or are showing signs of significant, immediate, and irreversible overall decline • Trees infected with pathogens of significance to the health and/or safety of other trees nearby, or very low quality trees suppressing adjacent trees of better quality <p>NOTE Category U trees can have existing or potential conservation value which it might be desirable to preserve; see 4.5.7</p>		
	1 Mainly Arboricultural values	2 Mainly landscape values	3 Mainly cultural values, including conservation
<p><u>Category A</u> Those of high quality with an estimated remaining life expectancy of at least 40 years</p>	Trees that are particularly good examples of their species, especially if rare or unusual, or essential components of groups, or of formal or semi-formal arboricultural features (e.g. the dominant and/or principal trees within an avenue)	Trees, groups or woodlands of particular visual importance as Arboricultural and/or landscape features	Trees, groups or woodlands of significant conservation; historical, commemorative or other value (e.g. veteran trees or wood-pasture)
<p><u>Category B</u> Those of moderate quality with an estimated remaining life expectancy of at least 20 years</p>	Trees that might be included in category A, but are downgraded because of impaired condition (e.g. presence of significant though remediable defects, including unsympathetic past management and storm damage), such that they are unlikely to be suitable for retention for beyond 40 years; or trees lacking the special quality necessary to merit the category A designation	Trees present in numbers, usually growing as groups or woodlands, such that they attract a higher collective rating than they might as individuals; or trees occurring as collectives but situated so as to make little visual contribution to the wider locality	Trees with material conservation or other cultural benefits
<p><u>Category C</u> Those of low quality with an estimated remaining life expectancy of at least 10 years, or young trees with a stem diameter below 150mm</p>	Unremarkable trees of very limited merit or such impaired condition that they do not qualify in higher categories	Trees present in groups or woodlands, but without this conferring on them significantly greater collective landscape value, and/or trees offering low or only temporary/transient landscape benefits	Trees with no material conservation or other cultural value

Tree No.	Species	Height(m)	Single/Multi Stemmed	Stem Diameter(m)	Branch Spread(m)				Height of Crown(m)	Age	Physiological Condition	Structural Condition	Prel. Man. Recommendations	Est. Remaining Contribution	Category
					N	E	S	W							
T1	Ash (Fraxinus excelsior)	6	Multi	0.15	1	1	1	1	1	Young	Poor	Multi stemmed self-sown specimen sited immediately at base of boundary wall. Evidence of potentially weak forks at base.	Remove	<10	U
T2	Ash (Fraxinus excelsior)	8	Single	0.22	2	3	2	3	2	Middle aged	Poor	Tree of variable form with evidence of Ash Canker disease in mid crown. This specimen is unsuitable for retention.	Remove	<10	U
T3	Lime (Tilia europaea)	18	Multi	0.9	8	8	7	7	0	Mature	Good	Notable specimen of good form. Dense epicormic shoots at base prevents full inspection. Lateral branches extending to the north may become in conflict with adjacent highway structure in the future.	Monitor development of crown	>40	A
T4	Lime (Tilia europaea)	19	Single	0.85 (est)	9	9	8	9	1	Mature	Good	Notable specimen of good form. Dense epicormics shoots at base prevents full inspection and accurate measurement.	No action required at this time	>40	A

Tree No.	Species	Height(m)	Single/Multi Stemmed	Stem Diameter(m)	Branch Spread(m)				Height of Crown(m)	Age	Physiological Condition	Structural Condition	Prel. Man. Recommendations	Est. Remaining Contribution	Category
					N	E	S	W							
T5	Highclere Holly (<i>Ilex altaclarensis</i>)	9	Multi	0.6	1	2	5	5	1	Mature	Fair to poor	Twin stemmed specimen of variable form with crown developed mainly on southern and south-western side. This specimen leans to the south-west.	Monitor for stability	10-20	C
T6	Lime (<i>Tilia europaea</i>)	20	Single	1.5 (est)	9	8	9	9	1	Mature	Good	Notable specimen of good form. Dense epicormic shoots at base prevents full inspection and accurate measurement.	No action required at this time	>40	A
T7	Ash (<i>Fraxinus excelsior</i>)	6	Single	0.14	2	3	2	2	2	Young	Fair	Young specimen of reasonable form	No action required at this time	>40	C
T8	Hawthorn (<i>Crataegus monogyna</i>)	6	Single	0.19	1	1	2	1	2	Young	Fair to poor	Tree of variable form. Main stem divides at 2m, leading to multi stemmed mid crown. Lower forks exhibit bulging which may be indicative of potential weaknesses.	Monitor for safety	10-20	C
G9	Group of Privet (<i>Ligustrum</i>)	1	Multi	0.1	1	1	1	1	0	Middle aged	Fair to poor	Multi stemmed specimens forming slightly gappy hedgerow	Trim annual growth from top and sides	10-20	C

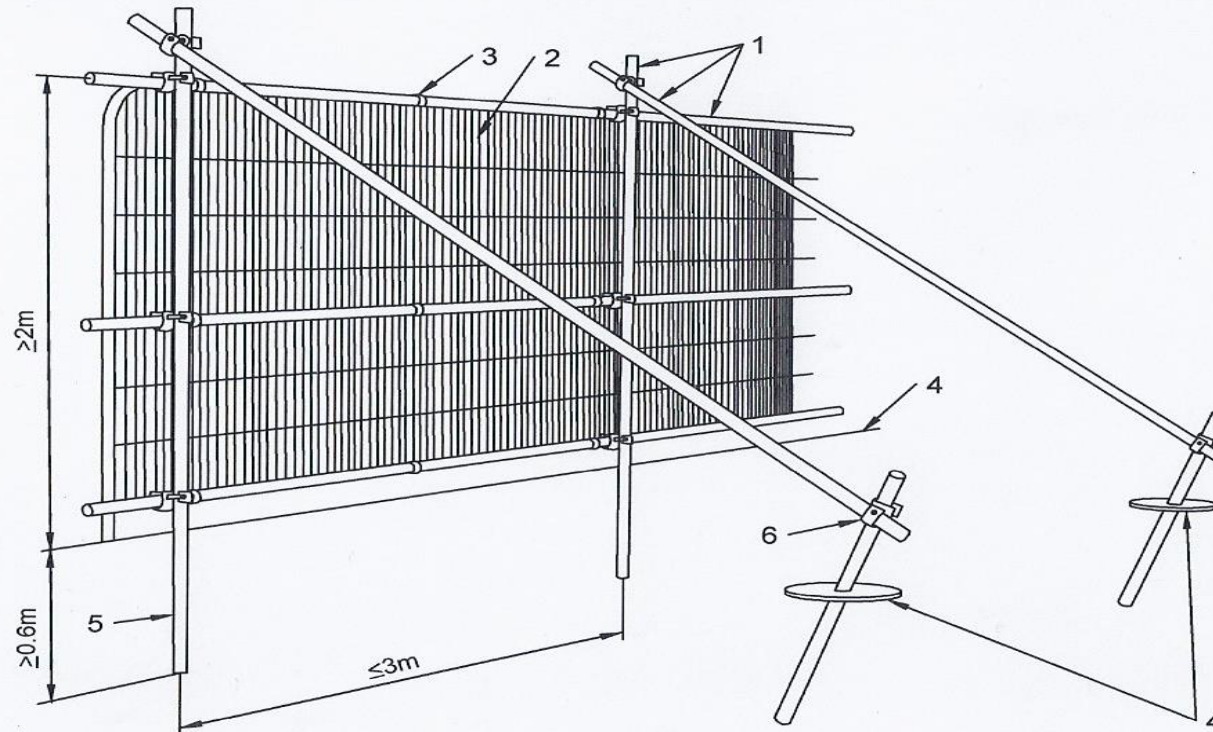
Tree No.	Species	Height(m)	Single/Multi Stemmed	Stem Diameter(m)	Branch Spread(m)				Height of Crown(m)	Age	Physiological Condition	Structural Condition	Prel. Man. Recommendations	Est. Remaining Contribution	Category
					N	E	S	W							
G10	Group of Privet (Ligustrum)	3	Multi	0.1	1	1	1	1	0	Middle aged	Fair to poor	Multi stemmed specimens forming slightly gappy hedgerow	Trim annual growth from top and sides	10-20	C
T11	Goat Willow (Salix caprea)	4	Multi	0.15	2	2	1	1	2	Young	Poor	Tree of poor form with evidence of weak basal fork	Remove	<10	U
T12	Ash (Fraxinus excelsior)	7	Multi	0.25	1	2	2	2	3	Young	Poor	Multi stemmed specimen with evidence of weak basal fork	Remove	<10	U
T13	Leyland Cypress (Cupressocyparis leylandii)	12	Single	0.35	2	2	2	2	2	Middle aged	Fair to poor	Tree of variable form. Main stem divides at 5m, leading to co-dominant stems in upper crown. The fork in mid crown is a potential source of weakness.	Monitor for safety	10-20	C
T14	Ash (Fraxinus excelsior)	6	Single	0.13	1	1	2	1	3	Young	Poor	Tree of poor form with evidence of dysfunctional growth in mid crown	Remove	<10	U
T15	Yew (Taxus baccata)	13	Multi	0.69	7	7	7	7	2	Mature	Fair	Notable specimen of good form with well-balanced crown. Some evidence of slight thinning of foliage throughout crown.	Monitor for health	20-40	B

Tree No.	Species	Height(m)	Single/Multi Stemmed	Stem Diameter(m)	Branch Spread(m)				Height of Crown(m)	Age	Physiological Condition	Structural Condition	Prel. Man. Recommendations	Est. Remaining Contribution	Category
					N	E	S	W							
T16	Lawson Cypress (Chamaecyparis lawsoniana)	10	Single	0.39	2	3	2	2	2	Middle aged	Fair to poor	Tree of variable form leaning slightly to the east. Evidence of thinning and yellowing of foliage on eastern side of crown.	Monitor for stability	10-20	C
T17	Ash (Fraxinus excelsior)	5	Single	0.1	2	1	1	1	2	Young	Poor	Self-sown specimen of poor form	Remove	<10	U

Recommendations for Tree Protection during Development

Due to the high risk to established trees we would recommend the installation of protective fencing prior to commencement of **any** works on site in accordance with BS 5837:2012 “Trees in relation to Construction”. Trees should be protected using scaffold frame supporting weld mesh panel fencing sited on the edge of the Root Protection Area as defined in BS5837:2012. These fenced areas should not be used for the storage of any plant machinery or materials and personnel should be excluded at all times; these fences should remain in situ until after final landscaping has been carried out, removed by hand with great care to prevent compaction or root damage to established trees. The services of a suitably qualified arborist should be sought **prior** to the commencement of each stage.

Figure 2 Default specification for protective barrier



Key

- 1 Standard scaffold poles
- 2 Heavy gauge 2m tall galvanized tube and welded mesh infill panels
- 3 Panels secured to uprights and cross-members with wire ties
- 4 Ground level
- 5 Uprights driven into the ground until secure (minimum depth 0.6m)
- 6 Standard scaffold clamps