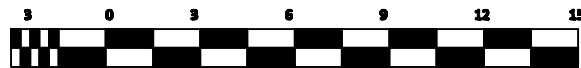
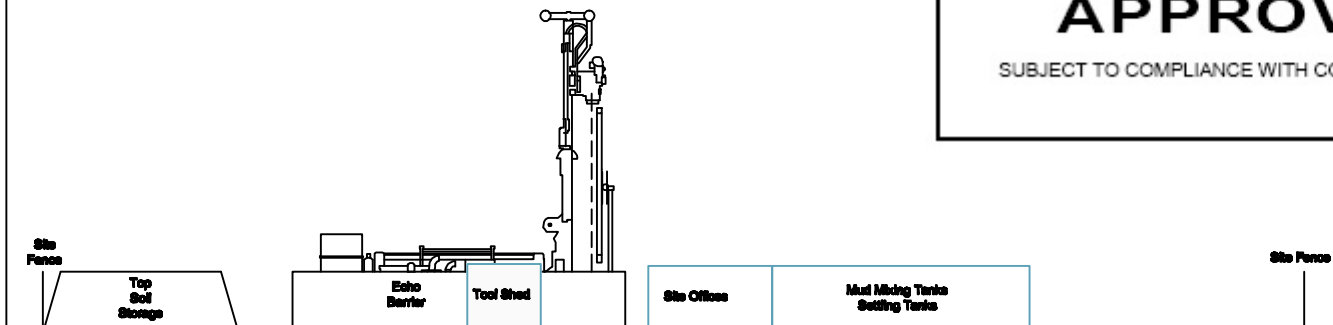


**THE VALE OF
GLAMORGAN COUNCIL**

TOWN AND COUNTRY PLANNING ACT 1990

APPROVED

SUBJECT TO COMPLIANCE WITH CONDITIONS (IF ANY)



Scale in metres
1:250

Coastal Oil and Gas Limited 

East - West Section

© Coastal Oil and Gas Limited 2013

Date: February - 2013

Unit 9
Bridgend Business Centre
Bridgend Industrial Estate
BRIDGEND
CF31 3BH

St Nicholas Testing

Reference Number: -
P2013/PLANNING/STNICHOLAS/00000000