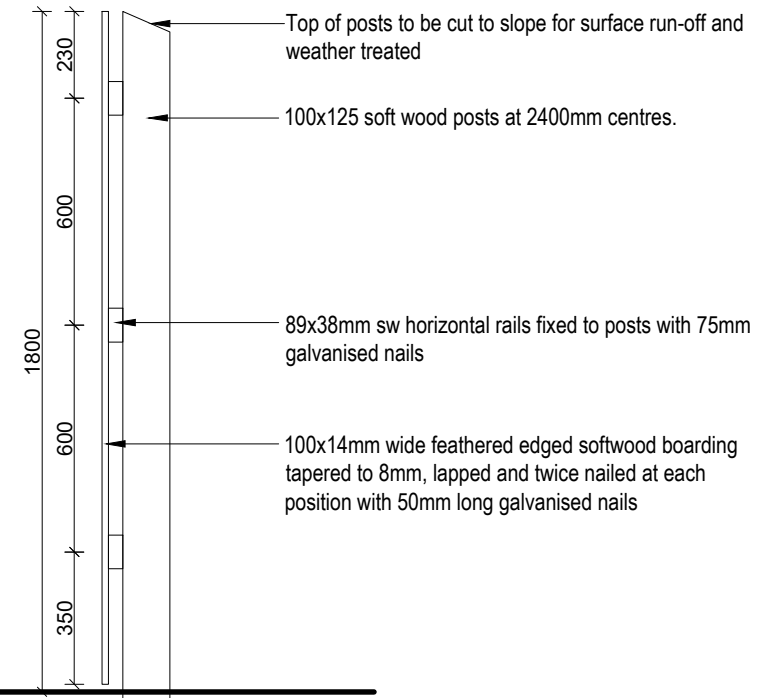
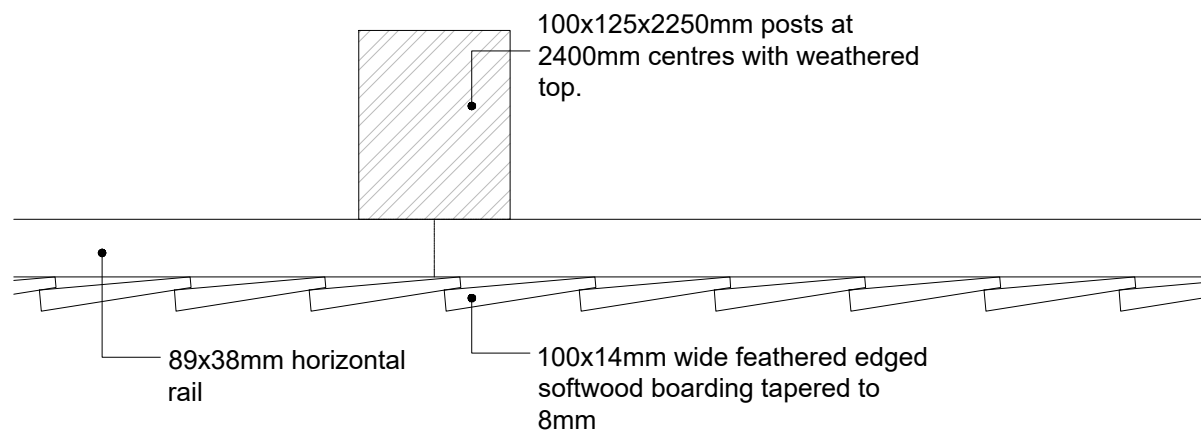


Elevation

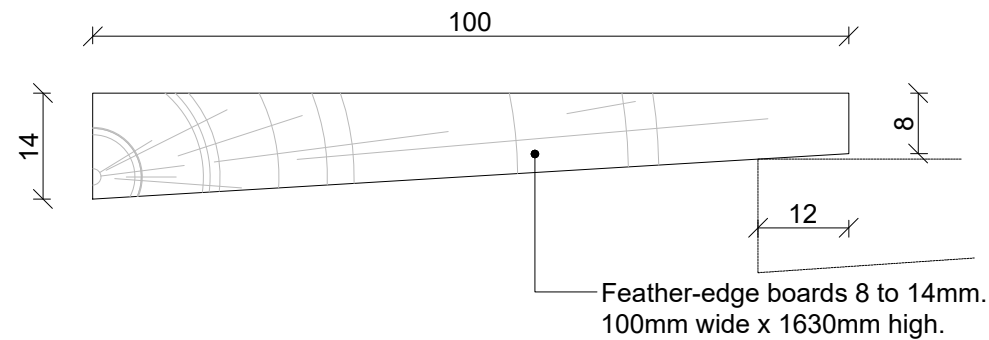


Section A-A

Close board fence and all components to comply with bs 1722, part 5. All timber to be preserved in accordance with BS 5589 (Category B).



Section Detail



Feather-edge boards 8 to 14mm. 100mm wide x 1630mm high.

NOTES

Posts to be set in holes 300 x 300 x 600 or 800 or 750mm deep and bedded in weak concrete for half their depth below ground level, and remaining depth to be filled with rammed earth.

Posts should be weathered approx. 30 degrees from the horizontal leaving a flat approx. 38mm wide.


Boards should be minimum 100mm wide x 14mm to 8mm nailed to each rail and should lap 12mm min.

Nails: Galv. nails should be used throughout to avoid rust staining on the timber.

Posts to be softwood and to be pretreated with preservative.

Boarding to be softwood pretreated with preservative.

Posts and Fence in accordance with B.S. 1722 pt 5.

REV.	DESCRIPTION	DATE
CLIENT		
 <b>Lewis Homes</b>		
JOB TITLE		
Sandy Lane, Ystradowen		
DRAWING TITLE		
1800 Close Board Fence		
SCALE @ A3	DATE	DRAWN BY
1:20	February '24	RW
JOB NO.	DRAWING NO.	REVISION
1941	ED-02	-



10 Gold Tops  
Newport  
NP20 4PH  
t. 01633 844970  
e. info@hammond-ltd.co.uk

[www.hammond-ltd.co.uk](http://www.hammond-ltd.co.uk)

© Hammond Architectural Limited 2024  
Figured dimensions must be taken in preference to scaled dimensions and any discrepancies are to be referred to Hammond Architectural Ltd. Contractors, subcontractors and suppliers must verify all dimensions on site before commencing any work or making any workshop drawings.