

FIGURE B.24 - CONNECTIONS OF SEWER
SCALE 1:10

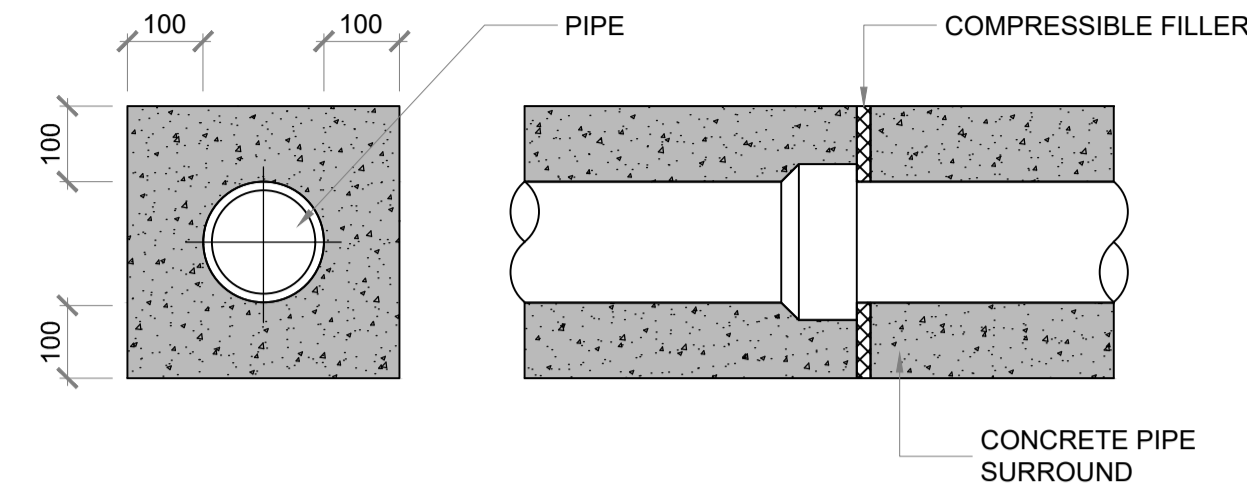


FIGURE B.26 - JOINTS FOR CONCRETE ENCASED PIPES
SPIGOT AND SOCKET JOINT
SCALE 1:10

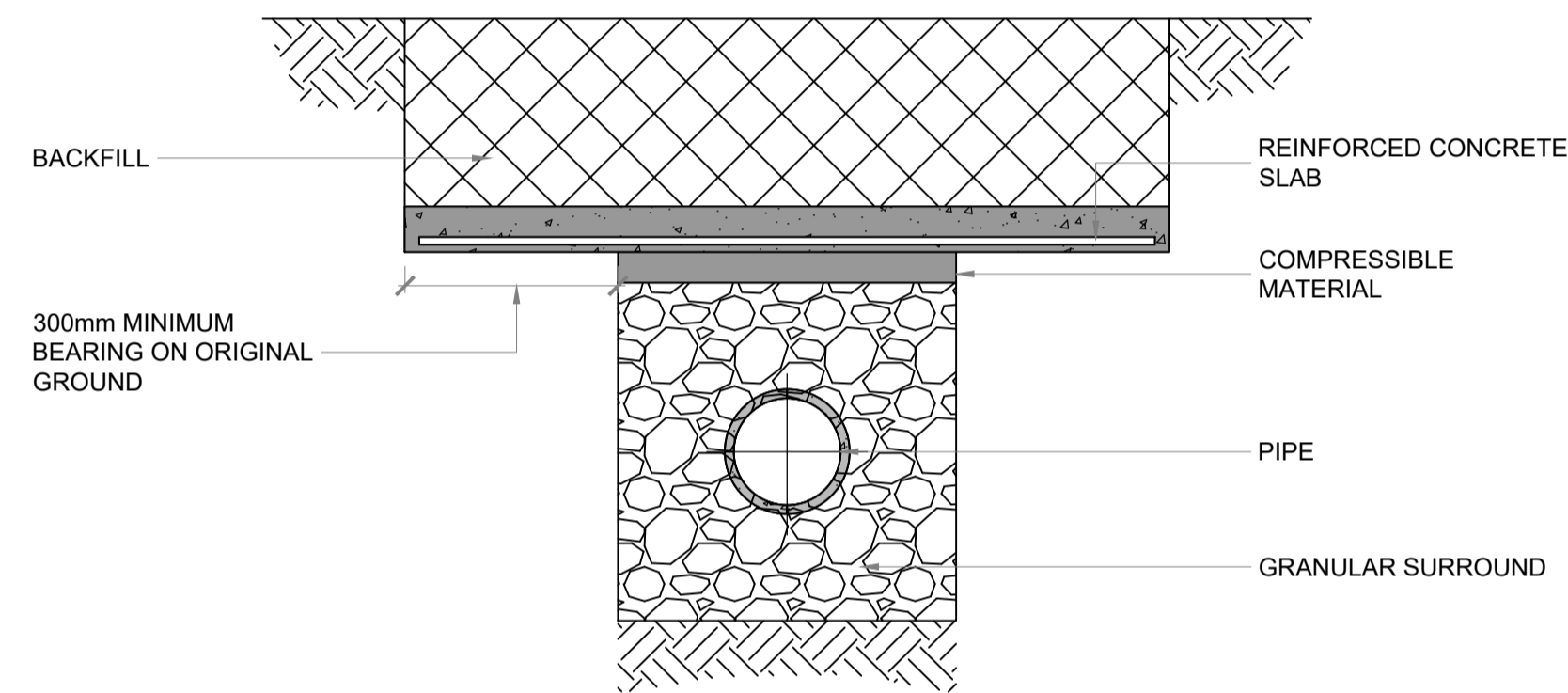
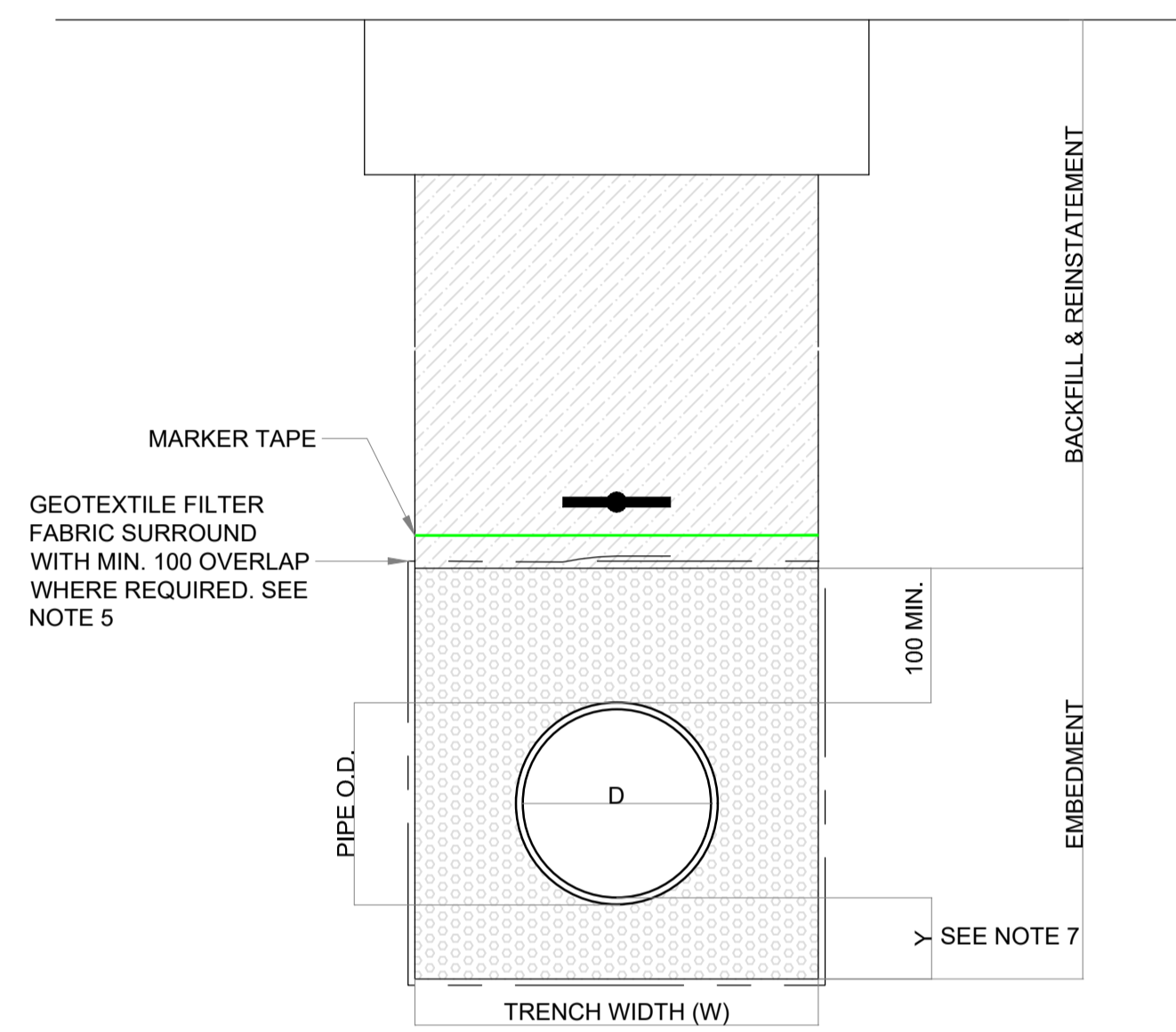


FIGURE B.25 - PROTECTION OF PIPES LAID AT SHALLOW DEPTHS
SCALE 1:10



BEDDING CLASS S, S1 AND S2
SCALE 1:10

WARNING TAPE COLOUR CODE	
COLOUR	TYPE
RED	ELECTRIC POWER LINES, CONDUITS AND CABLES
GREEN	SEWAGE AND DRAIN LINES
PURPLE	SUREVY MARKINGS
ORANGE	TELECOMMUNICATIONS
BLUE	DRINKING WATER
WHITE	EXCAVATION LIMITS
YELLOW	GAS, OIL, STEAM & OTHER FLAMMABLES
PURPLE	RECLAIMED WATER & IRRIGATION

NOMINAL SIZE OF GRANULAR MATERIAL (mm)	
D	TYPE S
UP TO 150mm	10/14 SINGLE SIZE OR 14>5 GRADED
UP TO 550mm	10/14/20 SINGLE SIZE OR 14>5 OR 20>5 GRADED
GREATER THEN 550mm	10/14/20/40 SINGLE SIZE OR 14>5 OR 20>5 OR 40>5 GRADED

DRAWING NOTES:

- THIS DRAWING IS TO BE READ IN CONJUNCTION WITH THE CIVIL ENGINEERING SPECIFICATION FOR THE WATER INDUSTRY (CESWI) 7TH EDITION AND DCWW CS501A (CIVIL ADDENDUM).
- BURIED CONCRETE TO BE GRADE GEN 3. GRADE C16/20 IS PERMITTED WHERE SMALL QUANTITY / SITE MIXING IS UNDERTAKEN.
- KEY TO MATERIALS:
 - SELECTED EXCAVATED MATERIAL (SEE NOTE 5)
 - PROCESSED GRANULAR MATERIAL TO BS EN 12620. (SEE TABLE)
- BACKFILL MATERIAL SHALL BE SELECTED FILL OBTAINED FROM EXCAVATED MATERIAL IN ACCORDANCE WITH CLAUSE 2.50 OF CESWI (7th EDITION), WHERE THIS IS AVAILABLE. ADDITIONAL MATERIAL TO MAKE UP ANY DEFICIENCY TO BE IMPORTED. THIS MATERIAL TO BE GRANULAR SUB-BASE TYPE 1 UNLESS STATED OTHERWISE.
- JOINT HOLES TO BE PROVIDED IN PIPE BED TO ENSURE THAT PIPE RESTS ON ITS BARREL.
- MINIMUM DEPTH 'Y' OF BED TO PIPE BARREL TO BE 100mm FOR PIPES UP TO AND INCLUDING 100mm DIA. NB, 150mm FOR PIPES GREATER THAN 100mm DIA. NB, AND 200mm FOR TRENCHES IN ROCK DESIGNER TO SPECIFY EMBEDMENT FILTER FABRIC SURROUND WHERE REQUIRED. REFER TO CONTRACT DOCUMENTS.

REV	DESCRIPTION	DATE	DRW	CHK	APP
S2-P2.0	ISSUED FOR PLANNING FOLLOWING COMMENTS	21/07/23	IQ	RLJ	DDH
S2-P1.0	ISSUED FOR PLANNING	20/07/23	IQ	RLJ	DDH

Drawing Title:
SERIES 0500 - DRAINAGE
SEWERS FOR ADOPTION DETAILS
SHEET 2

Burroughs Project No.: 50192-00 Scale: AS SHWON Original Paper Size: A1

Drawing Number:
50192-BUR-HDG-XX-DR-D-0551

Status: S2 - FOR INFORMATION

Revision: P2.0 - ISSUED FOR PLANNING FOLLOW. COMMENTS

This document is copyright of Burroughs Ltd. Use figured measurements only. DO NOT SCALE FROM DRAWING. Verify all dimensions prior to construction. Immediately report any discrepancies to Burroughs and if in doubt ASK. This drawing should be read in conjunction with all other associated project information