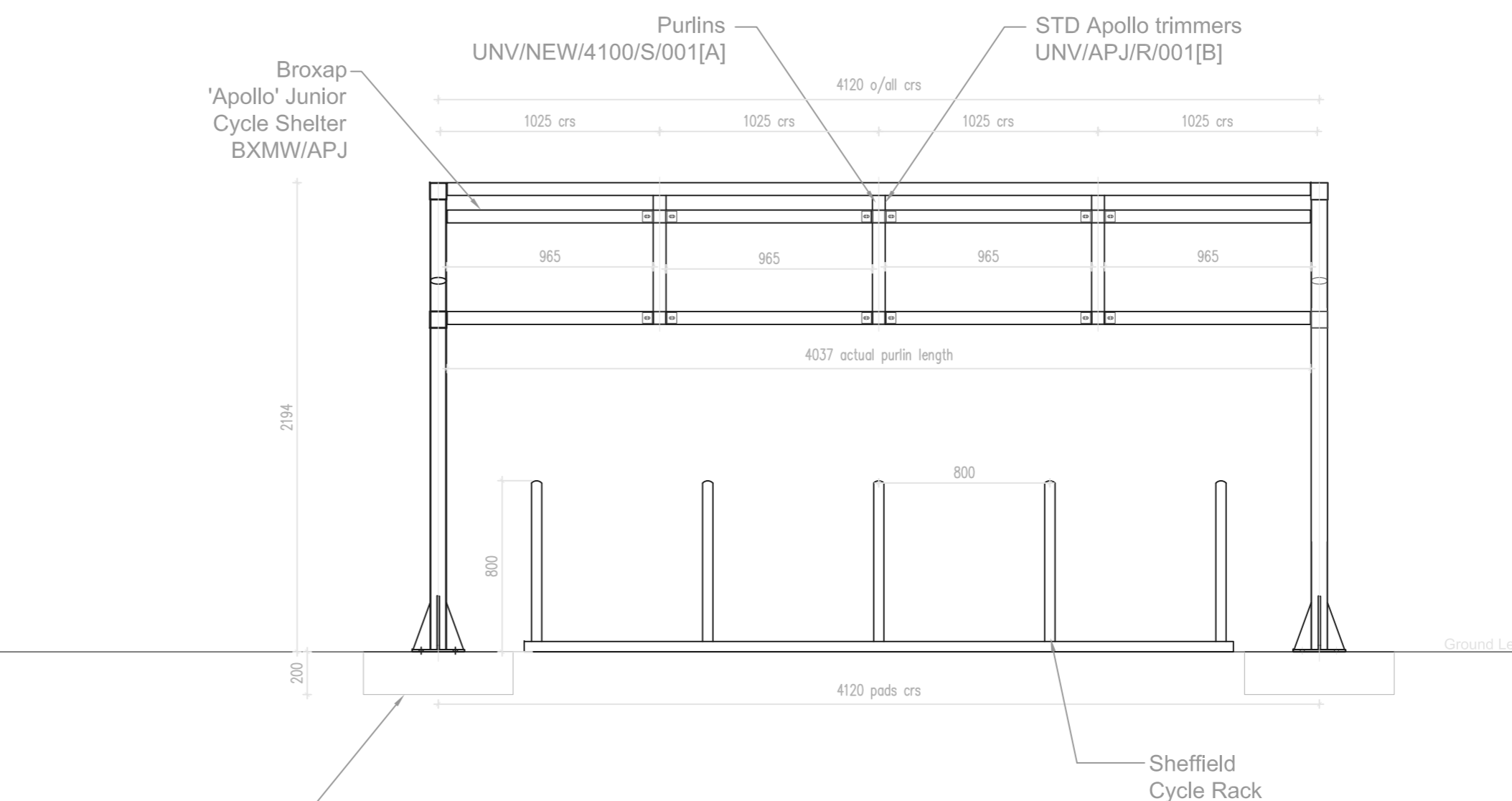
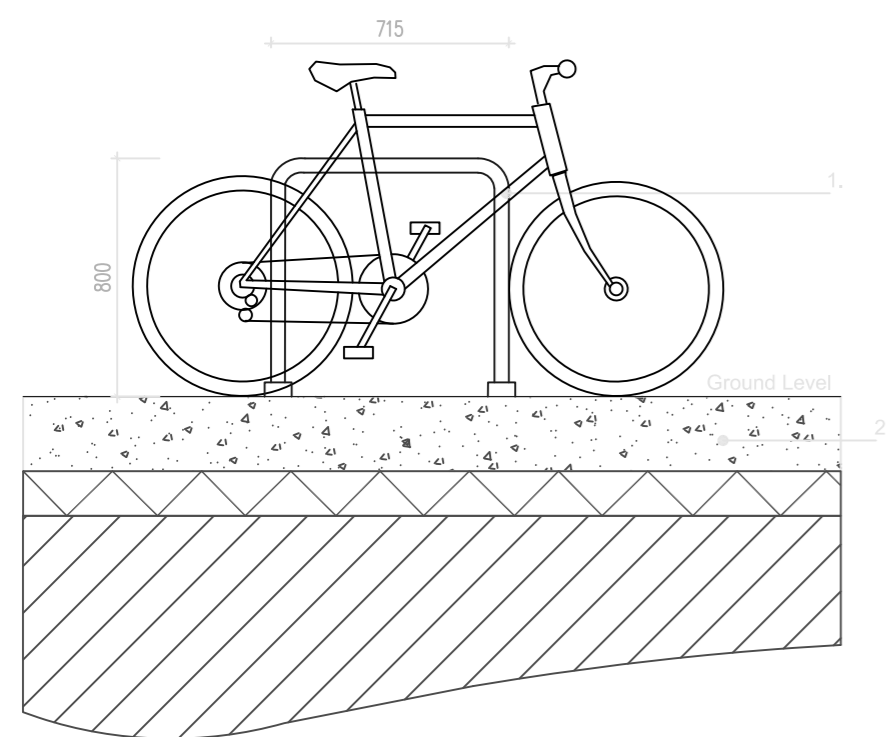


Side Elevation
Scale- 1:25



Front Elevation
Scale- 1:25

2No. 1200x700x200 deep Conc pockets



Cycle Rack Detail Side Elevation
Scale- 1:25

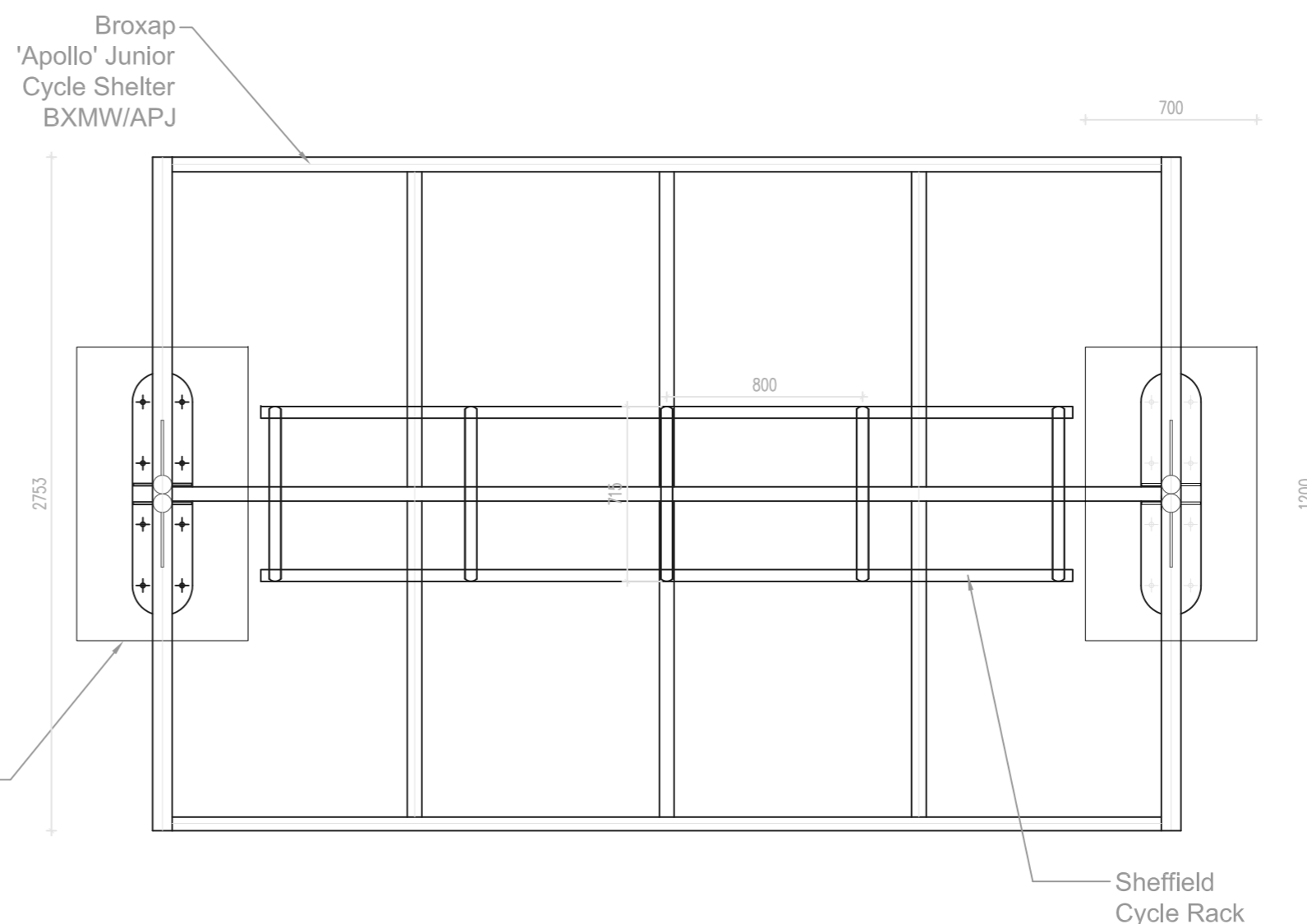
Notes:

1. Broxap 'Sheffield Style' Cycle Rack (5 hoop rack), BXMW/GS or equal approved; galvanised steel finish.

Rack to be base plate fixed, as per Manufacturers Design & Specification.

Finishes to be galvanised.

2. Insitu concrete surfacing and foundation work as per Engineers Design & Specification.



Plan View
Scale- 1:25

2No. 1200x700x200 deep Conc pockets

PL	PL09	03.07.20	FOR PLANNING	REVISED BY
STATUS	REV	DATE	DESCRIPTION	
PL	PL06	09.04.20	FOR PLANNING	CS
				CHECKED BY
				JP
				ORIGINATOR NO
				152852

CONSULTANT
STRIDE TREGLOWN
www.stridetreglow.com © Stride Treglow Limited 2016
PROJECT
ST DAVID'S CHURCH IN WALES PRIMARY SCHOOL
COLWINSTON

DRAWING TITLE
CYCLE SHELTER AND STANDS

SUITABILITY STATUS	SCALE
P PLANNING	1:25@A2
PROJECT ORIGINATOR ZONE LEVEL TYPE ROLE CLASSIFICATION NUMBER	REVISION
SDPS-STL-XX-XX-DR-L-9401	PL09