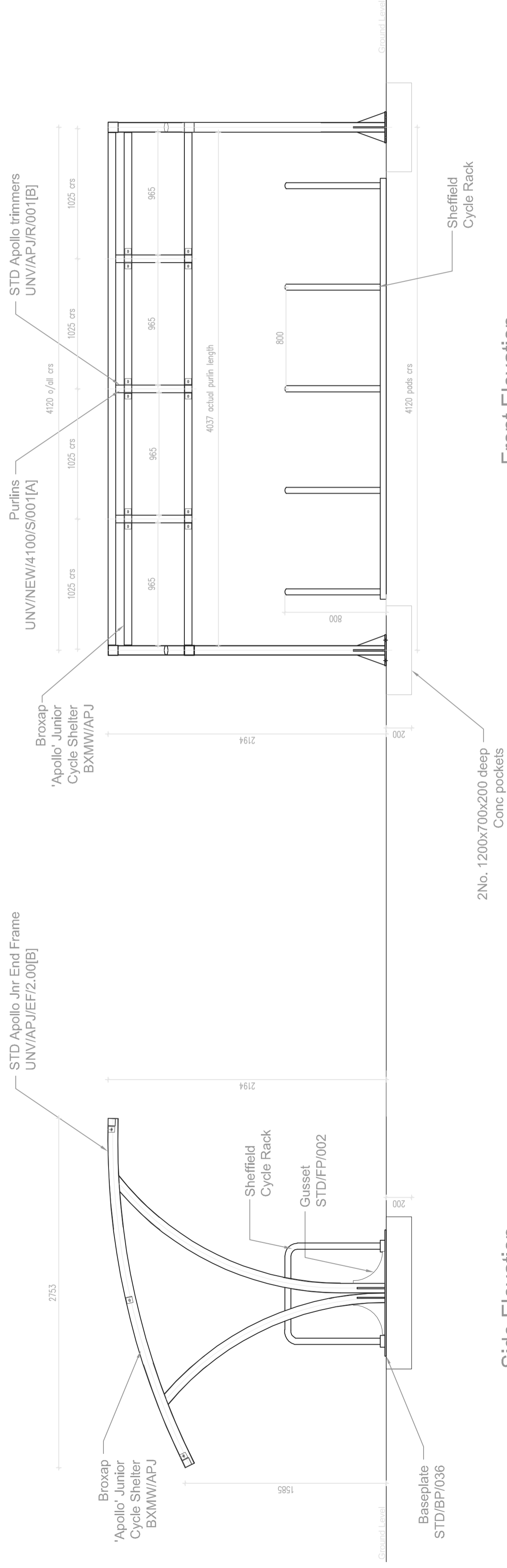


Responsibility is not accepted for errors made by others in scaling from this drawing.
All construction information should be taken from figured dimensions only.

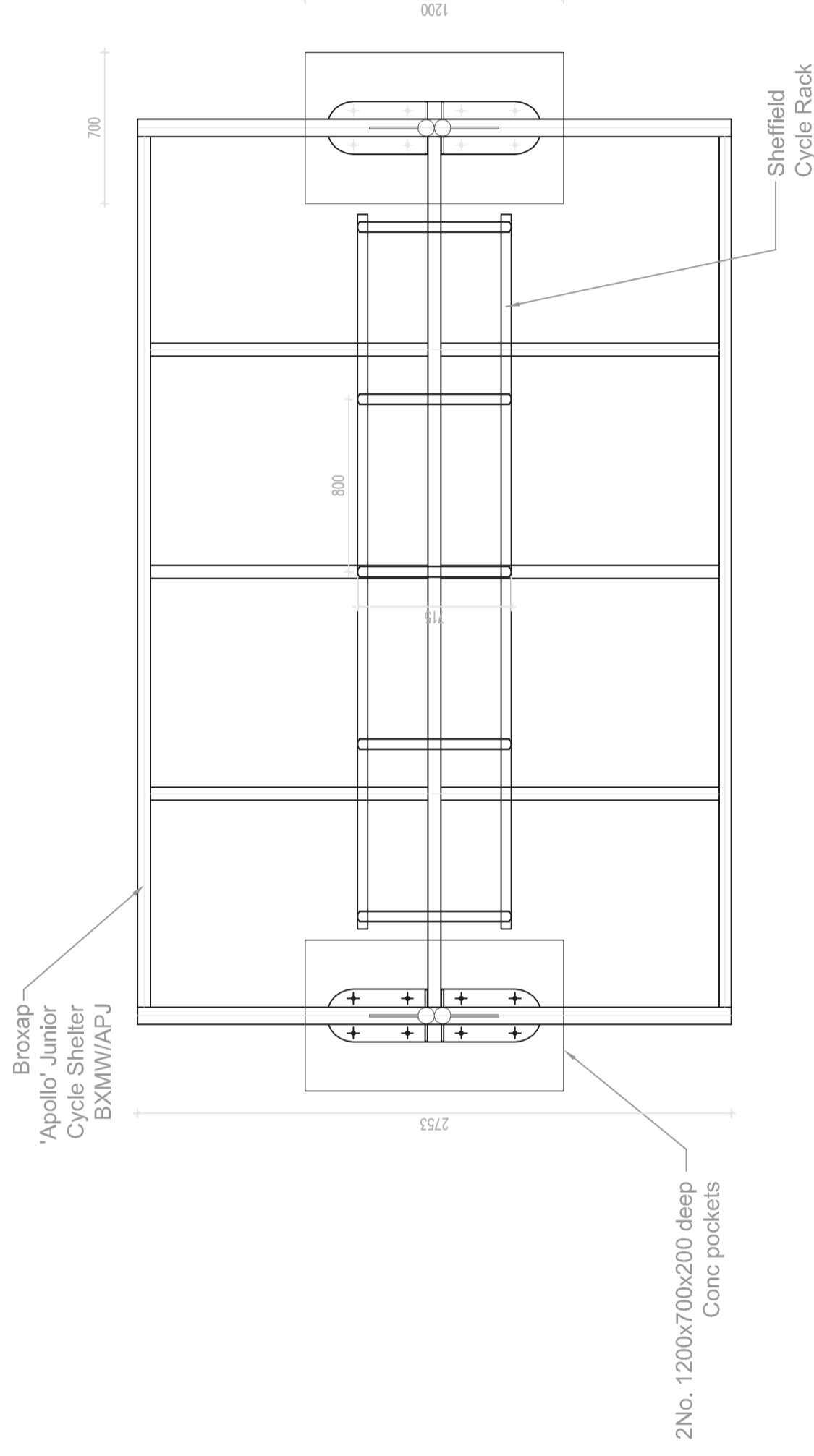


Front Elevation

Scale- 1:25

Side Elevation

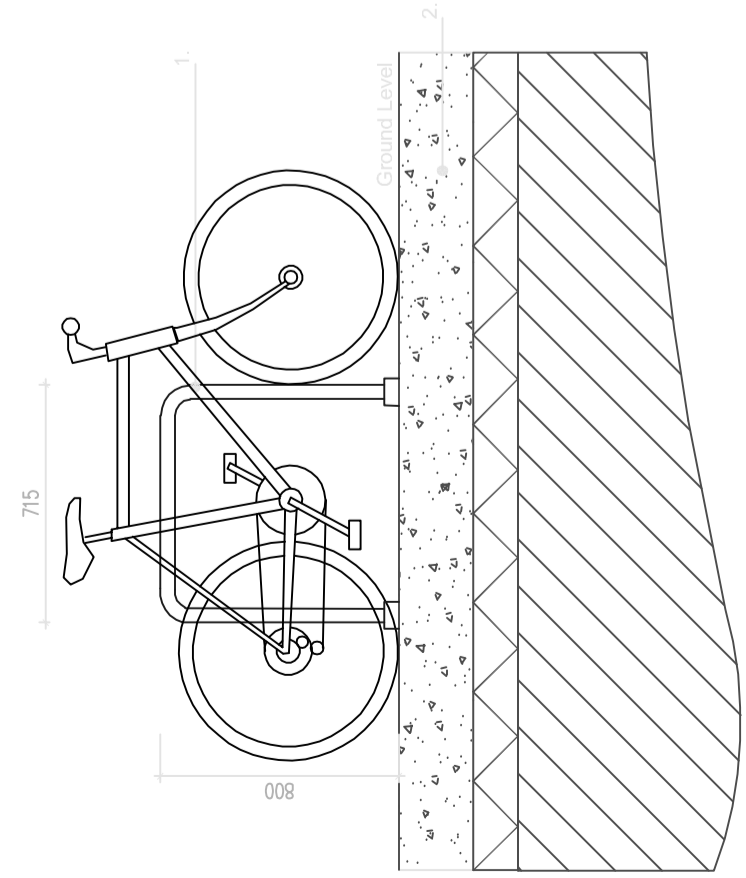
Scale- 1:25



Plan View

Scale- 1:25

- Notes:**
1. Broxap 'Sheffield Style' Cycle Rack (5 hoop rack), BXMW/GS or equal approved; galvanised steel finish.
Rack to be base plate fixed, as per Manufacturers Design & Specification.
Finishes to be galvanised.
 2. In situ concrete surfacing and foundation work as per Engineers Design & Specification.



Cycle Rack Detail Side Elevation

Scale- 1:25

STATUS	REV	DATE	DESCRIPTION
P	R09	23.02.20	PLANNING SCALE UPDATES
P	R08	27.08.20	FOR PLANNING

CLIENT: VALE OF GLAMORGAN COUNCIL

REVIEWED BY: CS

CHECKED BY: JP

ORGANISATION: 152855

CONSULTANT: STRIDE TREGLOWN

PROJECT: LLANCARFAN PRIMARY SCHOOL IN RHOOSE

REVISION: RHOOSE

DRAWING TITLE: CYCLE SHELTER AND STANDS

SUPPLEMENTARY SHEET: P PLANNING

SCALE: 1:25@A2

PROJECT | ORIGINATOR | ZONE | LEVEL | TYPE | ROLE | CLASSIFICATION | NUMBER

REVISION: LPS-STL-XX-XX-DR-L-9401

PL09