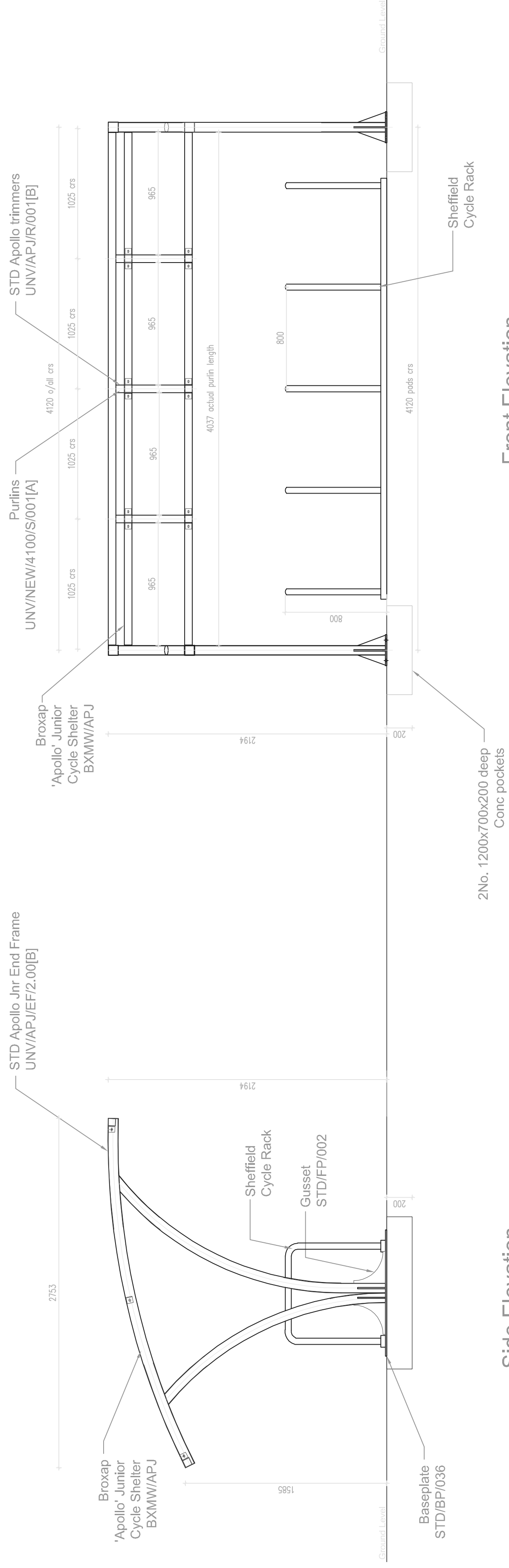


Responsibility is not accepted for errors made by others in scaling from this drawing.
All construction information should be taken from figured dimensions only.

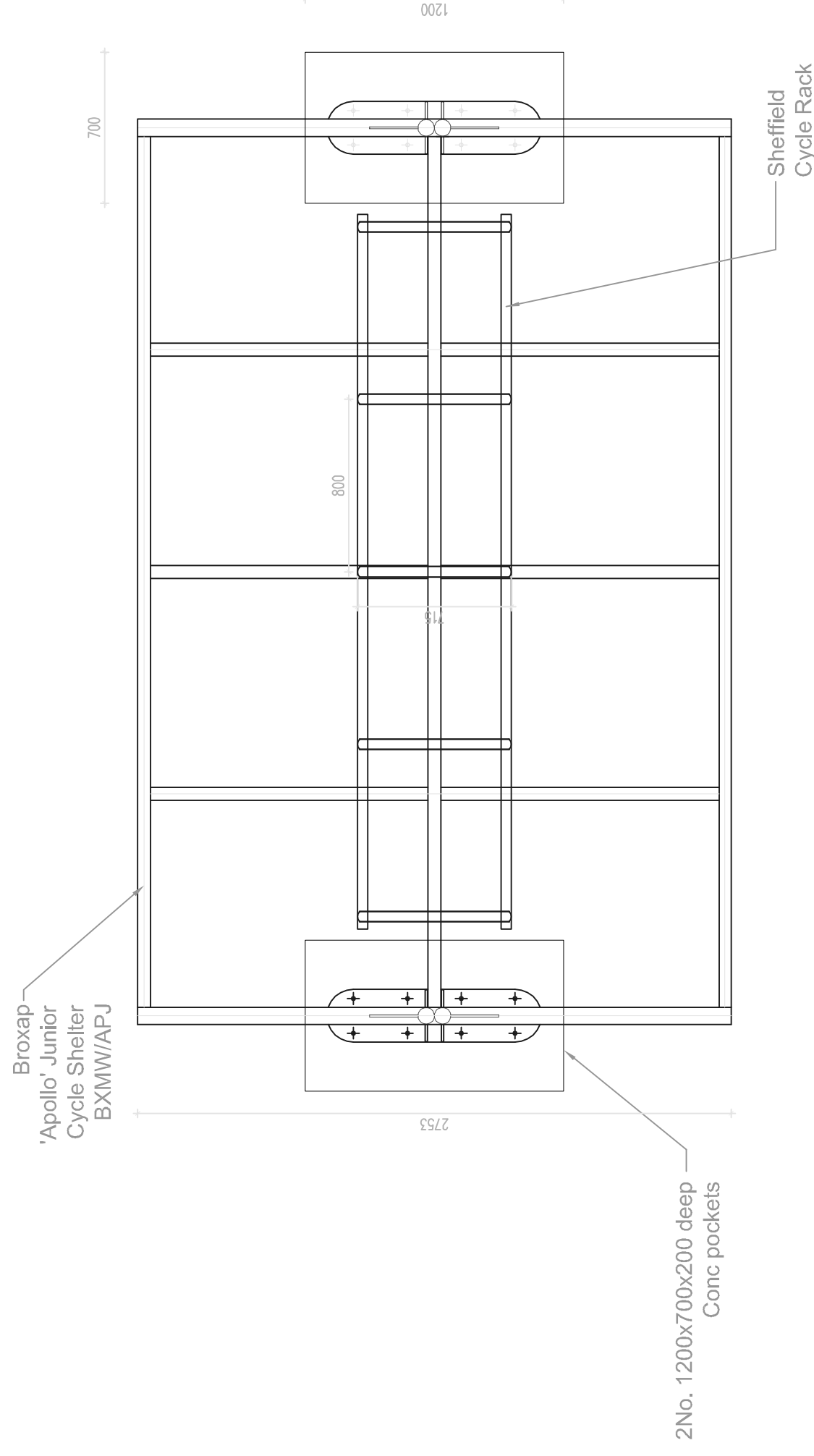


Front Elevation

Scale- 1:25

Side Elevation

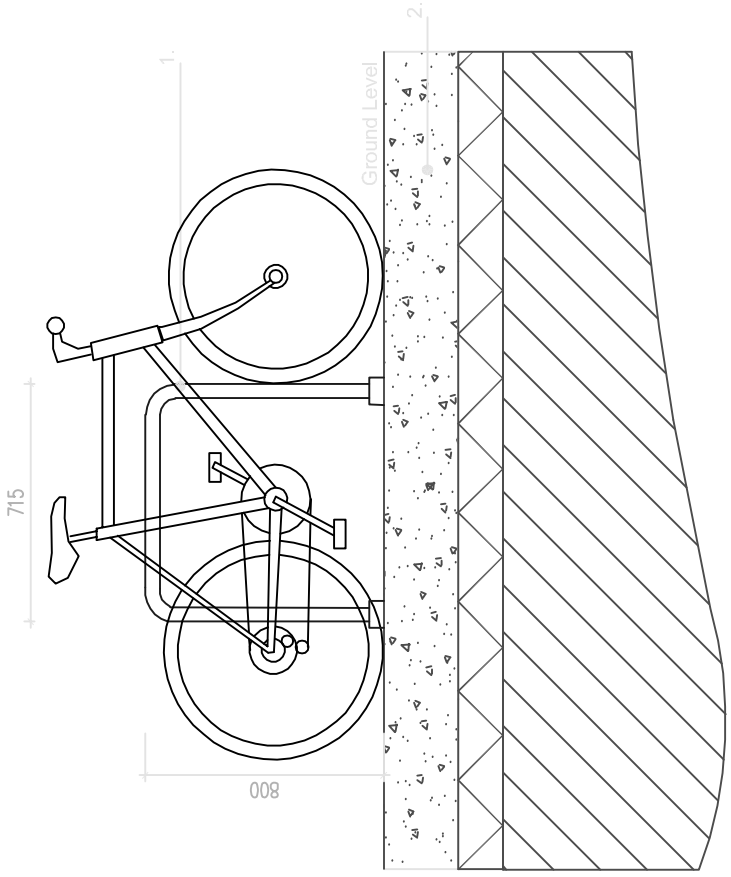
Scale- 1:25



Plan View

Scale- 1:25

- Notes:**
1. Broxap 'Sheffield Style' Cycle Rack (5 hoop rack), BXMW/GS or equal approved; galvanised steel finish.
Rack to be base plate fixed, as per Manufacturers Design & Specification.
Finishes to be galvanised.
 2. In situ concrete surfacing and foundation work as per Engineers Design & Specification.



Cycle Rack Detail Side Elevation

Scale- 1:25

PL	PL06	09.04.20	FOR PLANNING
STATUS	REV	DATE	DESCRIPTION
CLIENT: VALE OF GLAMORGAN COUNCIL			
REVIEWED BY: CS			
CHECKED BY: JP			
ORGANISATION: 152852			

CONSULTANT
STRIDE TREGLOWN
www.stridetreglown.com
PROJECT: ST DAVID'S CHURCH IN WALES PRIMARY SCHOOL
COLWINSTON

DRAWING TITLE
CYCLE SHELTER AND STANDS

DRAWING DATE	SCALE
P-PLANNING	1:25 @ A2
PROJECT ORIGINATOR ZONE LEVEL TYPE ROLE CLASSIFICATION NUMBER	
SDPS-STL-XX-XX-DR-L-9401	
REVISION	
PL06	