

THIS COMPONENT OR ASSEMBLY  
MUST BE COMPLIANT WITH RoHS  
REGULATIONS

PROJECTION

DRAWING CONFORMS TO: BS 8888:2006  
ALL DIMENSIONS IN mm  
IF IN DOUBT, ASK!

© COPYRIGHT AMSCREEN Ltd  
This document is the Copyright of AMSCREEN Ltd  
and may not be reproduced in whole or in part, nor  
passed to any organisation or person without the  
specific prior written permission of AMSCREEN Ltd.

REV:	CHANGES/ECR:	DRW / DATE:
E	EC00808	JC 14/05/19
D	EC00679	JDW 25/06/2018
C	EC00573	GAtkinson 06/12/2017

MASS (g): N/A

APPROVAL	DRW: S DRIVER	06/11/2017
	CHK: J WHITEFORD	16/05/2019
	APR: G GREENWOOD	17/05/2019

CLEANING CATEGORY:  
INSPECTION CATEGORY:

MATERIAL + SPEC:  
SEE DETAILS

FINISH:  
SEE DETAILS

PROCESS:  
ASSEMBLE

TREATMENT:  
N/A

TOLERANCES (UNLESS SPEC.)	LINEAR:	UP TO 20	±0.1
		20 < 100	±0.2
		OVER 100	±0.4
	ANGULAR:		±0.5°
	HOLE CENTRES:		⊕ 0.1
	TOOLING RADII 0.5 MAX		
	SURFACE TEXTURE:		
	DEBURR AND BREAK SHARP EDGES ✓		

**AMscreen**  
media made to measure

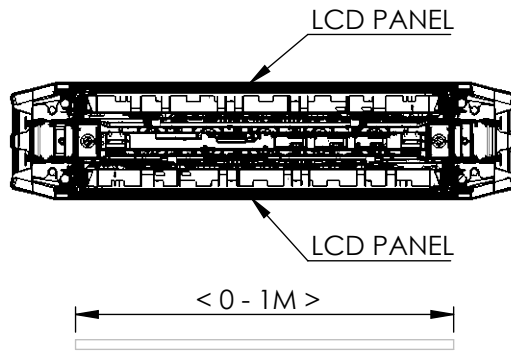
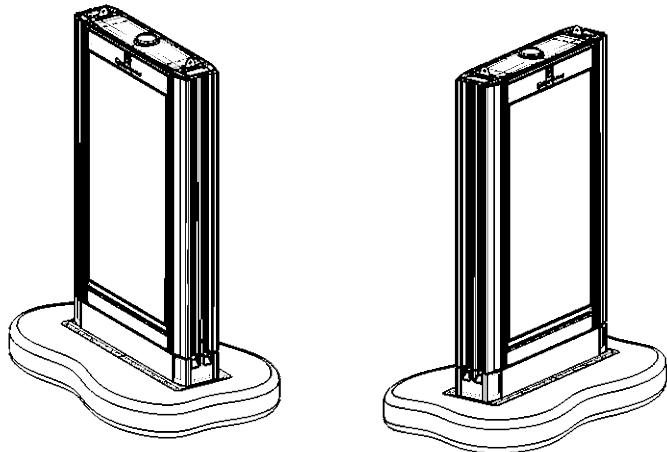
Amscreen House, Paragon Business Park,  
Chorley New Rd, Horwich, Bolton, BL6 6HG  
www.amscreen.eu  
Tel: 01204 664333 Fax:

EXTERNAL REF:

TITLE:  
DS75 D6+D6 PLANNING  
DRAWING BUS SHELTER

DWG NUMBER: 204173	REVISION: E
SIZE: A4	SCALE: 1:50
SHEET: 1 / 1	

DO NOT SCALE DRAWING



SECTION F-F  
SCALE 1 : 20

