

THE COTSWOLD CASEMENT COMPANY

EST.d 1888

Scale
Elevations - 1:10 @ A4
Sections - 1:1 @ A4

Drawn by: LP

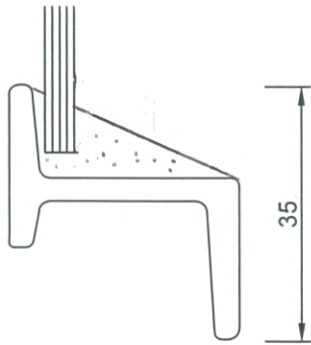
W20 Section - Odd Leg
Open Out / Glaze Out

All dimensions are stated in mm unless otherwise specified.

All elevations are drawn viewed externally unless otherwise specified.

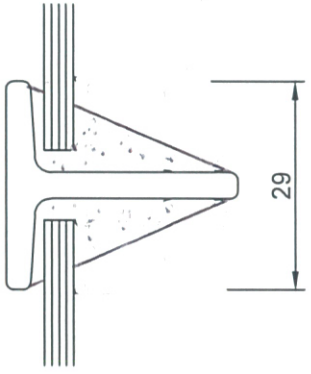
NOTE: ALL GLAZINGS TO BE TRADITIONAL LEADED LIGHTS - 3MM CLEAR FUSAT GLASS WITH PUTTY BEADS.

Side Screen / Fixed Light



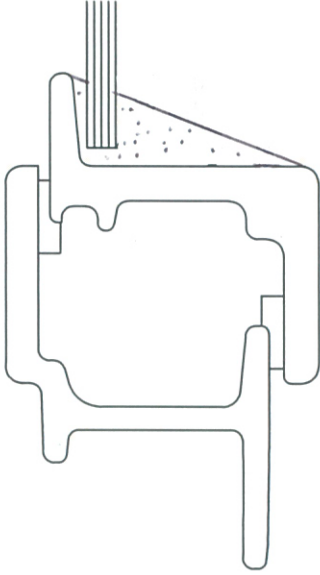
DETAIL 1.

Glazing Bar



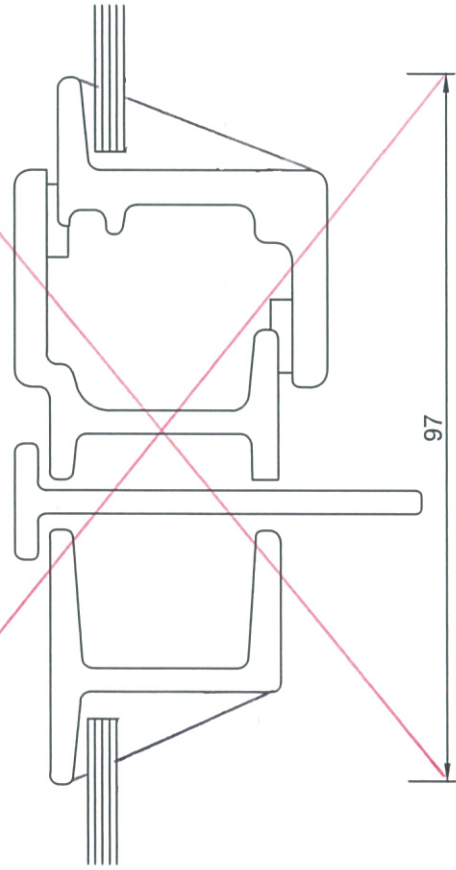
DETAIL 2.

Door Section

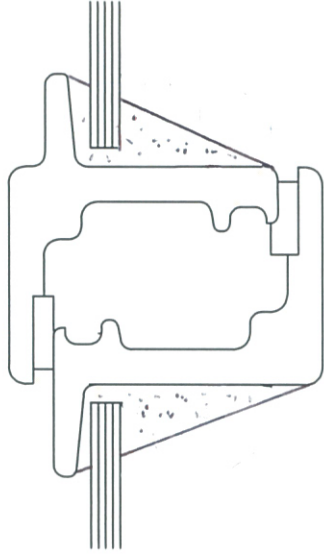


DETAIL 3.

~~NOT APPLICABLE.~~
Coupling Detail



Meeting Rail



DETAIL 4.

The Cotswold Casement Company

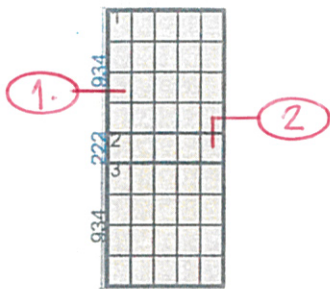
Cotswold Business Village, London Road, Moreton-in-Marsh,
 Gloucestershire, GL56 0JQ, England
 Telephone No: 01608 650568
 Fax Number: 01608 651699

Quotation

Supply & Fit

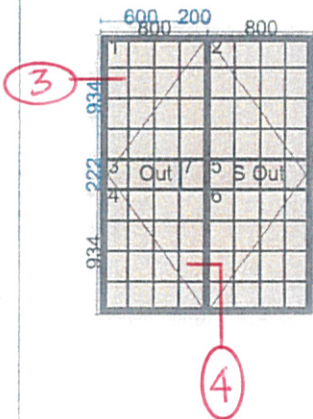
Melanie Brookes

Quote No.	13457R
Reference	DC357
Quotation Date	21/06/2017
Customer Ref	
Our Reference	13457R



Section W20 Open OUT Glaze OUT
 P.P.C. Colour 9005 Standard Stock
 Bead Putty
 Glazing Leaded Lights Squares (Black Swiss)
 Auth Geo WT2 Transom

Item	1/7
Template	W20 Open OUT Glaze O
Style	W20 Fixed
Size	910w x 2090h
Frame	910w x 2090h
Quantity	1
Location	Left Side Screen



Section Open Out/Glaze Out Equal Leg French Door
 P.P.C. Colour 9005 Standard Stock
 Door Sash WH6 Sash
 FD Joining Style WH5 Sash
 Bead West Leigh Sloping Bead (16mm)
 L/H Door Handle Handle Not required
 R/H Door Handle Handle Not required
 S/H Stay No Stay Required
 Glazing Leaded Lights Squares (Black Swiss)

Item	2/7
Template	Open Out/Glaze Out Equa
Style	Double Door LH
Size	1600w x 2090h
Frame	1600w x 2090h
Quantity	3
Location	Doors



Section W20 Open OUT Glaze OUT
 P.P.C. Colour 9005 Standard Stock
 Bead West Leigh Sloping Bead (16mm)
 Glazing Leaded Lights Squares (Black Swiss)

Item	3/7
Template	W20 Open OUT Glaze O
Style	Side light
Size	720w x 2090h
Frame	720w x 2090h
Quantity	3
Location	Right Side Screen