



Vale Consultancy

Consulting Civil & Structural Engineers

Title: Retaining Wall Calculations.

Project: Ty Twyn, Mill Road, Dinas Powys,
Vale of Glamorgan, CF64 4BT.

Client: Mr T Woodward.

Document No: 01
Project No: 6154
Prepared By: N.Clifford
Checked By: J.Mathias

Revision: B

Date: 19th December 2017



SCOPE & DESIGN

- THE EXISTING FRONT GARDEN WALL TO TY TWYN MILL TOWNS ALONG POWYS, LAKE OF CLAMORGAN C/OFF 4ST, FRONTED ONTO THE ADOPTED HIGHWAY, MILL ROAD BETWEEN THE WALL AND CARBURELAY IS A NARROW TARMAC FINISHED VERGE & STANDARD KERB DETAIL. MIDWAY ALONG THE FRONTAGE IS A TIMBER POLE SUPPORTING WESTERN POWER DISTRIBUTION CABLES. IN ADDITION THERE ARE ALSO BURIED SERVICES WITHIN THE VERGE.
- THE EXISTING WALL HAD FAILED AND WAS FULLY REMOVED DUE TO THE REMAINING RISK OF FURTHER COLLAPSE ONTO THE PUBLIC HIGHWAY. THE ORIGINAL WALL APPEARED TO BE PREDOMINANTLY A DRY STONE CONSTRUCTION, AND HAD CONSIDERABLE ESTABLISHED IVY AND TREE GROWTH FROM WITHIN THE FACE AND TOP OF THE WALL.
- THE REMOVAL OF THE WALL EXPOSED A STEEPED ROCK FACE, WHICH IS PARTIALLY TERRACED. THE BASE OF THE ROCK OUTCROP IS ABOVE THE HIGHWAY VERGE WHICH CONTAINS SERVICES.
- V&G HIGHWAYS BEST COMMENTED ON A PREVIOUS SCHEME THAT WAS SUBMITTED, WHICH WAS APPROVED. THIS CURRENT SCHEME IS BASED ON THE SAME PRINCIPLES WITH SOME VARIATIONS TO SUIT SITE CONDITIONS & CONSTRAINTS. NAMELY THE ALIGNMENT OF THE ROCK FACE, THE ELEVATION OF THE ROCK OUTCROP ABOVE THE HIGHWAY VERGE AND PRESENCE OF EXISTING SERVICES IN THE HIGHWAY VERGE.
- TO RESTRAIN THE WALL HEIGHT, THE WALLS WILL BE TERRACED, WITH TWO WALLS TO LIMIT THE HEIGHT OF EACH WALL. PRACTICALLY & TO PROVIDE STABILITY THE WALLS WILL BE CONSTRUCTED OFF THE TOP FACE OF THE ROCK OUTCROP, OTHERWISE THE WALLS WOULD HAVE TO BE CONSTRUCTED OFF COMPACTED FILL, WHICH DUE TO THE LOCATION & CONSTRUCTIVE SITE CONDITIONS WOULD NOT BE ACHIEVABLE.
- A TOPOGRAPHIC SURVEY OF THE SITE HAS BEEN USED TO ESTABLISH THE ALIGNMENT AND FORMATION LEVEL OF EACH WALL. AS SHOWN IN THE CALCULATIONS & DRAWINGS THE



SCOPE & DESIGN (CONT)

- RETAINED HEIGHT ABOVE THE WALL BASE FOR THE BOTTOM & TOP WALLS ARE 1.85m & 1.0m RESPECTIVELY. AS PER VQA HIGHWAYS COMMENTS ON THE PREVIOUS SCHEME A 2.5kN/m² SURCHARGE HAS BEEN APPLIED TO BOTH WALLS TO ALLOW FOR PARKING ON THE DRIVEWAY ABOVE THE UPPER WALL & CONSTRUCTION LOADS ON BOTH WALLS.
- THE WALL CONSTRUCTION CONSISTS OF A MASONRY CALUMY BLOCKWORK WALL WITH REINFORCED CONCRETE CORE, & REINFORCED CONCRETE BASE. THE WALL IS IN A CONSERVATION AREA, AND AS SUCH WILL BE CLAD IN NON STRUCTURAL BOUNDED STONE FACING. AS THE LOWER LEVEL WALL FOUNDATION WILL BE ABOVE THE ROAD VERGE LEVEL, THE STONE FACING WILL BE SUPPORTED ON A STAINLESS STEEL ANGLE SUPPORT SYSTEM (CAST INTO THE FOUNDATION FACE) TO MASK THE FOUNDATION.
 - DUE TO THE ELEVATED POSITION OF THE LOWER WALL AN EFFECTIVE DRAINAGE SYSTEM IS NOT FEASIBLE. IT IS PROPOSED TO PROVIDE A FILTER CHANNEL TO THE WALL BASE TO PREVENT GROUND WATER RUNOFF FROM THE WALL/ROCKFACE TRACKING ACROSS THE HIGHWAY VERGE. THERE WILL ALSO BE FILTER CHANNELS CROSSING THE VERGE TO CHANNEL WATER INTO THE NEARBY HIGHWAY CULLEY.
 - THE FINAL ALIGNMENT OF BOTH WALLS WILL BE DETERMINED WHEN ALL LOOSE MATERIAL HAS BEEN REMOVED FROM THE FACE OF THE ROCK OUTCROP.
 - A GROUND BEARING PRESSURE OF 200kN/m² ONTO THE LOWER FACE OF THE ROCK HAS BEEN ADOPTED IN THE DESIGN. THE LOWER WALL WILL ALSO HAVE REIN ANCHORED BOWELS INTO THE ROCK FACE AT THE REAR OF THE FOUNDATION FOR FURTHER STABILITY.
 - THE WALLS WORK AS FREESTANDING ELEMENTS, HOWEVER BOWELS INTO THE ROCK FACE BEHIND THE LOWER WALLS HAVE BEEN INDICATED ON DRAWING 6157-02 TO PROVIDE ADDITIONAL REDUNDANCY DUE TO ITS POSITION.

LOADING.

BACK FILL & RETAINED MATERIAL CALCULATED IN
TERNS SOFTWARE FOR BOTH LOWER & UPPER WALL.

LOWER WALL

BOARDED STONE FACE CLADDING

THICKNESS - 100mm HEIGHT - 2.15m.

$$\text{LOAD /m} = 22 \text{ kN/m}^3 \times 0.1 \times 2.15 = 4.75 \text{ kN/m}$$

APPLIED AT
FACE OF
WALL *

$$\text{SURCHARGE} = 2.5 \text{ kN/m}^2$$

ONLY PRACTICALLY APPLIED DURING CONSTRUCTION
& BACKFILLING. NOT APPLIED LONG TERM WITH CLADDING.

DESIGN WITH 'AT REST' PRESSURE

DESIGN WITH ALLOWANCE FOR 300mm
PLANNED EXCAVATION IN FRONT OF TOE TO
REMOVE PASSIVE PRESSURE RESISTANCE

UPPER WALL

BOARDED STONE FACE CLADDING

THICKNESS - 100mm HEIGHT - 1.3m.

$$\text{LOAD /m} = 22 \text{ kN/m}^3 \times 0.1 \times 1.3 = 2.9 \text{ kN/m}$$

APPLIED AT
50mm FROM
FACE OF
WALL

$$\text{SURCHARGE} = 2.5 \text{ kN/m}^2$$

DESIGN WITH 'AT REST' PRESSURE

DESIGN WITH ALLOWANCE FOR 300mm PLANNED
EXCAVATION IN FRONT OF TOE TO REMOVE
PASSIVE PRESSURE RESISTANCE.

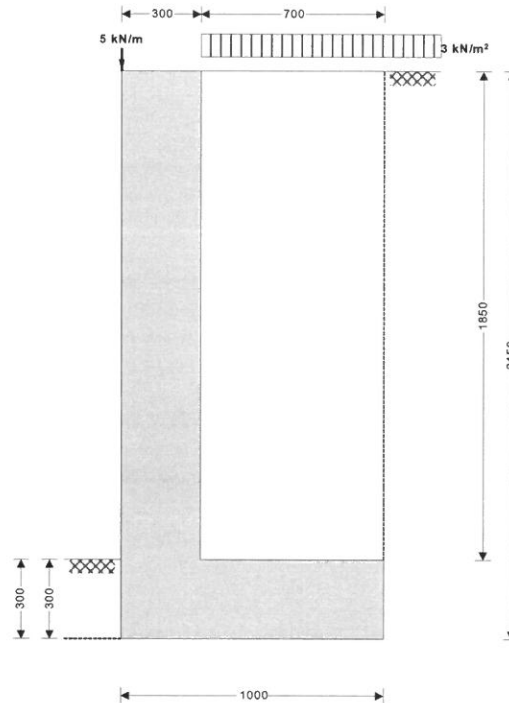
* NOMINAL MOMENT FROM ECCENTRIC CLADDING LOAD
 $4.75 \text{ kN/m} \times 0.06 \text{m} = 0.3 \text{ kNm/m}$

FROM TERNS OUTPUT - LOADS APPLIED AT WALL FACE
OVERTURNING MOMENT = 9.7 kNm/m RESISTANCE = 19.9 kNm/m

300k OF
ADDITIONAL
NOMINAL MOMENT

RETAINING WALL ANALYSIS (BS 8002:1994)

TEDDS calculation version 1.2.01.06



Wall details

Retaining wall type
Height of retaining wall stem
Thickness of wall stem
Length of toe
Length of heel
Overall length of base
Thickness of base
Depth of downstand
Position of downstand
Thickness of downstand
Height of retaining wall
Depth of cover in front of wall
Depth of unplanned excavation
Height of ground water behind wall
Height of saturated fill above base
Density of wall construction
Density of base construction
Angle of rear face of wall
Angle of soil surface behind wall
Effective height at virtual back of wall

Unpropped cantilever

$h_{\text{stem}} = 1850 \text{ mm}$
 $t_{\text{wall}} = 300 \text{ mm}$
 $l_{\text{toe}} = 0 \text{ mm}$
 $l_{\text{heel}} = 700 \text{ mm}$
 $l_{\text{base}} = l_{\text{toe}} + l_{\text{heel}} + t_{\text{wall}} = 1000 \text{ mm}$
 $t_{\text{base}} = 300 \text{ mm}$
 $d_{\text{ds}} = 0 \text{ mm}$
 $l_{\text{ds}} = 450 \text{ mm}$
 $t_{\text{ds}} = 300 \text{ mm}$
 $h_{\text{wall}} = h_{\text{stem}} + t_{\text{base}} + d_{\text{ds}} = 2150 \text{ mm}$
 $d_{\text{cover}} = 0 \text{ mm}$
 $d_{\text{exc}} = 300 \text{ mm}$
 $h_{\text{water}} = 0 \text{ mm}$
 $h_{\text{sat}} = \max(h_{\text{water}} - t_{\text{base}} - d_{\text{ds}}, 0 \text{ mm}) = 0 \text{ mm}$
 $\gamma_{\text{wall}} = 20.0 \text{ kN/m}^3$
 $\gamma_{\text{base}} = 23.6 \text{ kN/m}^3$
 $\alpha = 90.0 \text{ deg}$
 $\beta = 0.0 \text{ deg}$
 $h_{\text{eff}} = h_{\text{wall}} + l_{\text{heel}} \times \tan(\beta) = 2150 \text{ mm}$

Retained material details

Mobilisation factor
 $M = 1.2$
Moist density of retained material
 $\gamma_m = 17.5 \text{ kN/m}^3$

Saturated density of retained material $\gamma_s = 21.0 \text{ kN/m}^3$
 Design shear strength $\phi' = 29.3 \text{ deg}$
 Angle of wall friction $\delta = 22.8 \text{ deg}$

Base material details

Moist density $\gamma_{mb} = 18.0 \text{ kN/m}^3$
 Design shear strength $\phi'_b = 27.5 \text{ deg}$
 Design base friction $\delta_b = 21.3 \text{ deg}$
 Allowable bearing pressure $P_{\text{bearing}} = 200 \text{ kN/m}^2$

Using Coulomb theory

Active pressure coefficient for retained material

$$K_a = \sin(\alpha + \phi')^2 / (\sin(\alpha)^2 \times \sin(\alpha - \delta) \times [1 + \sqrt{(\sin(\phi' + \delta) \times \sin(\phi' - \beta) / (\sin(\alpha - \delta) \times \sin(\alpha + \beta)))^2}] = 0.304$$

Passive pressure coefficient for base material

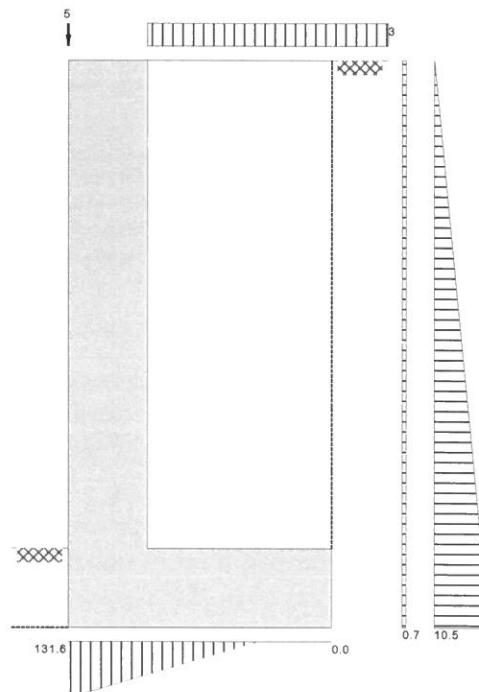
$$K_p = \sin(90 - \phi'_b)^2 / (\sin(90 - \delta_b) \times [1 - \sqrt{(\sin(\phi'_b + \delta_b) \times \sin(\phi'_b) / (\sin(90 + \delta_b)))^2}] = 5.571$$

At-rest pressure

At-rest pressure for retained material $K_0 = 1 - \sin(\phi') = 0.511$

Loading details

Surcharge load on plan Surcharge = 2.5 kN/m²
 Applied vertical dead load on wall $W_{\text{dead}} = 4.7 \text{ kN/m}$
 Applied vertical live load on wall $W_{\text{live}} = 0.0 \text{ kN/m}$
 Position of applied vertical load on wall $l_{\text{load}} = 0 \text{ mm}$
 Applied horizontal dead load on wall $F_{\text{dead}} = 0.0 \text{ kN/m}$
 Applied horizontal live load on wall $F_{\text{live}} = 0.0 \text{ kN/m}$
 Height of applied horizontal load on wall $h_{\text{load}} = 0 \text{ mm}$



Loads shown in kN/m, pressures shown in kN/m²

Vertical forces on wall

Wall stem $W_{\text{wall}} = h_{\text{stem}} \times t_{\text{wall}} \times \gamma_{\text{wall}} = 11.1 \text{ kN/m}$



29 Bocam Park, Old Field Road
Pencoed, Bridgend
CF35 5LJ

Project Ty Twyn, Mill Road, Dinas Powys, Vale of Glamorgan				Job no. 6154	
Calcs for Lower wall				Start page no./Revision A 6	
Calcs by NC	Calcs date 14/11/2017	Checked by JM	Checked date 14/11/2017	Approved by JM	Approved date 14/11/2017

Wall base	$W_{base} = l_{base} \times t_{base} \times \gamma_{base} = 7.1 \text{ kN/m}$
Surcharge	$W_{sur} = \text{Surcharge} \times l_{heel} = 1.8 \text{ kN/m}$
Moist backfill to top of wall	$W_{m_w} = l_{heel} \times (h_{stem} - h_{sat}) \times \gamma_m = 22.7 \text{ kN/m}$
Applied vertical load	$W_v = W_{dead} + W_{live} = 4.7 \text{ kN/m}$
Total vertical load	$W_{total} = W_{wall} + W_{base} + W_{sur} + W_{m_w} + W_v = 47.3 \text{ kN/m}$
Horizontal forces on wall	
Surcharge	$F_{sur} = K_a \times \cos(90 - \alpha + \delta) \times \text{Surcharge} \times h_{eff} = 1.5 \text{ kN/m}$
Moist backfill above water table	$F_{m_a} = 0.5 \times K_a \times \cos(90 - \alpha + \delta) \times \gamma_m \times (h_{eff} - h_{water})^2 = 11.3 \text{ kN/m}$
Total horizontal load	$F_{total} = F_{sur} + F_{m_a} = 12.8 \text{ kN/m}$
Calculate stability against sliding	
Resistance to sliding	$F_{res} = (W_{total} - W_{sur}) \times \tan(\delta_b) = 17.8 \text{ kN/m}$ PASS - Resistance force is greater than sliding force
Overturning moments	
Surcharge	$M_{sur} = F_{sur} \times (h_{eff} - 2 \times d_{ds}) / 2 = 1.6 \text{ kNm/m}$
Moist backfill above water table	$M_{m_a} = F_{m_a} \times (h_{eff} + 2 \times h_{water} - 3 \times d_{ds}) / 3 = 8.1 \text{ kNm/m}$
Total overturning moment	$M_{ot} = M_{sur} + M_{m_a} = 9.7 \text{ kNm/m}$
Restoring moments	
Wall stem	$M_{wall} = W_{wall} \times (l_{toe} + t_{wall} / 2) = 1.7 \text{ kNm/m}$
Wall base	$M_{base} = W_{base} \times l_{base} / 2 = 3.5 \text{ kNm/m}$
Moist backfill	$M_{m_r} = (W_{m_w} \times (l_{base} - l_{heel} / 2) + W_{m_s} \times (l_{base} - l_{heel} / 3)) = 14.7 \text{ kNm/m}$
Total restoring moment	$M_{rest} = M_{wall} + M_{base} + M_{m_r} = 19.9 \text{ kNm/m}$
Check stability against overturning	
Total overturning moment	$M_{ot} = 9.7 \text{ kNm/m}$
Total restoring moment	$M_{rest} = 19.9 \text{ kNm/m}$ PASS - Restoring moment is greater than overturning moment
Check bearing pressure	
Surcharge	$M_{sur_r} = W_{sur} \times (l_{base} - l_{heel} / 2) = 1.1 \text{ kNm/m}$
Total moment for bearing	$M_{total} = M_{rest} - M_{ot} + M_{sur_r} = 11.3 \text{ kNm/m}$
Total vertical reaction	$R = W_{total} = 47.3 \text{ kN/m}$
Distance to reaction	$x_{bar} = M_{total} / R = 240 \text{ mm}$
Eccentricity of reaction	$e = \text{abs}((l_{base} / 2) - x_{bar}) = 260 \text{ mm}$ Reaction acts outside middle third of base
Bearing pressure at toe	$p_{toe} = R / (1.5 \times x_{bar}) = 131.6 \text{ kN/m}^2$
Bearing pressure at heel	$p_{heel} = 0 \text{ kN/m}^2 = 0 \text{ kN/m}^2$ PASS - Maximum bearing pressure is less than allowable bearing pressure



29 Bocam Park, Old Field Road
Pencoed, Bridgend
CF35 5LJ

Project Ty Twyn, Mill Road, Dinas Powys, Vale of Glamorgan				Job no. 6154	
Calcs for Lower wall				Start page no./Revision A 7	
Calcs by NC	Calcs date 14/11/2017	Checked by JM	Checked date 14/11/2017	Approved by JM	Approved date 14/11/2017

RETAINING WALL DESIGN (BS 8002:1994)

TEDDS calculation version 1.2.01.06

Ultimate limit state load factors

Dead load factor $\gamma_{f,d} = 1.4$
 Live load factor $\gamma_{f,l} = 1.6$
 Earth and water pressure factor $\gamma_{f,e} = 1.4$

Factored vertical forces on wall

Wall stem $W_{wall,f} = \gamma_{f,d} \times h_{stem} \times t_{wall} \times \gamma_{wall} = 15.5 \text{ kN/m}$
 Wall base $W_{base,f} = \gamma_{f,d} \times l_{base} \times t_{base} \times \gamma_{base} = 9.9 \text{ kN/m}$
 Surcharge $W_{sur,f} = \gamma_{f,l} \times \text{Surcharge} \times l_{heel} = 2.8 \text{ kN/m}$
 Moist backfill to top of wall $W_{m,w,f} = \gamma_{f,d} \times l_{heel} \times (h_{stem} - h_{sat}) \times \gamma_m = 31.7 \text{ kN/m}$
 Applied vertical load $W_{v,f} = \gamma_{f,d} \times W_{dead} + \gamma_{f,l} \times W_{live} = 6.6 \text{ kN/m}$
 Total vertical load $W_{total,f} = W_{wall,f} + W_{base,f} + W_{sur,f} + W_{m,w,f} + W_{v,f} = 66.6 \text{ kN/m}$

Factored horizontal at-rest forces on wall

Surcharge $F_{sur,f} = \gamma_{f,l} \times K_0 \times \text{Surcharge} \times h_{eff} = 4.4 \text{ kN/m}$
 Moist backfill above water table $F_{m,a,f} = \gamma_{f,e} \times 0.5 \times K_0 \times \gamma_m \times (h_{eff} - h_{water})^2 = 28.9 \text{ kN/m}$
 Total horizontal load $F_{total,f} = F_{sur,f} + F_{m,a,f} = 33.3 \text{ kN/m}$

Factored overturning moments

Surcharge $M_{sur,f} = F_{sur,f} \times (h_{eff} - 2 \times d_{ds}) / 2 = 4.7 \text{ kNm/m}$
 Moist backfill above water table $M_{m,a,f} = F_{m,a,f} \times (h_{eff} + 2 \times h_{water} - 3 \times d_{ds}) / 3 = 20.7 \text{ kNm/m}$
 Total overturning moment $M_{ot,f} = M_{sur,f} + M_{m,a,f} = 25.4 \text{ kNm/m}$

Restoring moments

Wall stem $M_{wall,f} = W_{wall,f} \times (l_{toe} + t_{wall} / 2) = 2.3 \text{ kNm/m}$
 Wall base $M_{base,f} = W_{base,f} \times l_{base} / 2 = 5 \text{ kNm/m}$
 Surcharge $M_{sur,r,f} = W_{sur,f} \times (l_{base} - l_{heel} / 2) = 1.8 \text{ kNm/m}$
 Moist backfill $M_{m,r,f} = (W_{m,w,f} \times (l_{base} - l_{heel} / 2) + W_{m,s,f} \times (l_{base} - l_{heel} / 3)) = 20.6 \text{ kNm/m}$
 Total restoring moment $M_{rest,f} = M_{wall,f} + M_{base,f} + M_{sur,r,f} + M_{m,r,f} = 29.7 \text{ kNm/m}$

Factored bearing pressure

Total moment for bearing $M_{total,f} = M_{rest,f} - M_{ot,f} = 4.3 \text{ kNm/m}$
 Total vertical reaction $R_f = W_{total,f} = 66.6 \text{ kN/m}$
 Distance to reaction $x_{bar,f} = M_{total,f} / R_f = 64 \text{ mm}$
 Eccentricity of reaction $e_f = \text{abs}((l_{base} / 2) - x_{bar,f}) = 436 \text{ mm}$

Reaction acts outside middle third of base

Bearing pressure at toe $p_{toe,f} = R_f / (1.5 \times x_{bar,f}) = 688.9 \text{ kN/m}^2$
 Bearing pressure at heel $p_{heel,f} = 0 \text{ kN/m}^2 = 0 \text{ kN/m}^2$
 Rate of change of base reaction $\text{rate} = p_{toe,f} / (3 \times x_{bar,f}) = 3564.61 \text{ kN/m}^2/\text{m}$
 Bearing pressure at stem / toe $p_{stem,toe,f} = \text{max}(p_{toe,f} - (\text{rate} \times l_{toe}), 0 \text{ kN/m}^2) = 688.9 \text{ kN/m}^2$
 Bearing pressure at mid stem $p_{stem,mid,f} = \text{max}(p_{toe,f} - (\text{rate} \times (l_{toe} + t_{wall} / 2)), 0 \text{ kN/m}^2) = 154.2 \text{ kN/m}^2$
 Bearing pressure at stem / heel $p_{stem,heel,f} = \text{max}(p_{toe,f} - (\text{rate} \times (l_{toe} + t_{wall})), 0 \text{ kN/m}^2) = 0 \text{ kN/m}^2$

Design of reinforced concrete retaining wall heel (BS 8002:1994)

Material properties

Characteristic strength of concrete $f_{cu} = 35 \text{ N/mm}^2$
 Characteristic strength of reinforcement $f_y = 500 \text{ N/mm}^2$

Project Ty Twyn, Mill Road, Dinas Powys, Vale of Glamorgan			Job no. 6154		
Calcs for Lower wall			Start page no./Revision A 8		
Calcs by NC	Calcs date 14/11/2017	Checked by JM	Checked date 14/11/2017	Approved by JM	Approved date 14/11/2017

Base details

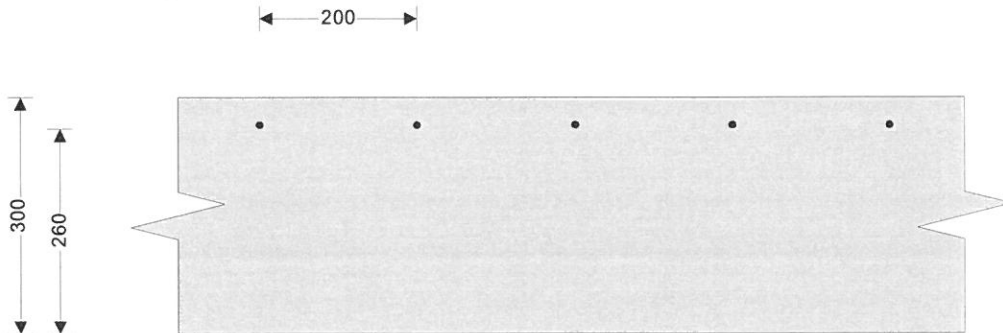
Minimum area of reinforcement $k = 0.13 \%$
Cover to reinforcement in heel $C_{heel} = 35 \text{ mm}$

Calculate shear for heel design

Shear from weight of base $V_{heel_wt_base} = \gamma_{f_d} \times \gamma_{base} \times l_{heel} \times t_{base} = 6.9 \text{ kN/m}$
Shear from weight of moist backfill $V_{heel_wt_m} = W_{m_w_f} = 31.7 \text{ kN/m}$
Shear from surcharge $V_{heel_sur} = W_{sur_f} = 2.8 \text{ kN/m}$
Total shear for heel design $V_{heel} = V_{heel_wt_base} + V_{heel_wt_m} + V_{heel_sur} = 41.5 \text{ kN/m}$

Calculate moment for heel design

Moment from weight of base $M_{heel_wt_base} = (\gamma_{f_d} \times \gamma_{base} \times t_{base} \times (l_{heel} + t_{wall} / 2)^2 / 2) = 3.6 \text{ kNm/m}$
Moment from weight of moist backfill $M_{heel_wt_m} = W_{m_w_f} \times (l_{heel} + t_{wall}) / 2 = 15.9 \text{ kNm/m}$
Moment from surcharge $M_{heel_sur} = W_{sur_f} \times (l_{heel} + t_{wall}) / 2 = 1.4 \text{ kNm/m}$
Total moment for heel design $M_{heel} = M_{heel_wt_base} + M_{heel_wt_m} + M_{heel_sur} = 20.8 \text{ kNm/m}$



Check heel in bending

Width of heel $b = 1000 \text{ mm/m}$
Depth of reinforcement $d_{heel} = t_{base} - C_{heel} - (\phi_{heel} / 2) = 260.0 \text{ mm}$
Constant $K_{heel} = M_{heel} / (b \times d_{heel}^2 \times f_{cu}) = 0.009$
Compression reinforcement is not required
Lever arm $Z_{heel} = \min(0.5 + \sqrt{(0.25 - (\min(K_{heel}, 0.225) / 0.9))}, 0.95) \times d_{heel}$
 $Z_{heel} = 247 \text{ mm}$
Area of tension reinforcement required $A_{s_heel_des} = M_{heel} / (0.87 \times f_y \times Z_{heel}) = 194 \text{ mm}^2/\text{m}$
Minimum area of tension reinforcement $A_{s_heel_min} = k \times b \times t_{base} = 390 \text{ mm}^2/\text{m}$
Area of tension reinforcement required $A_{s_heel_req} = \text{Max}(A_{s_heel_des}, A_{s_heel_min}) = 390 \text{ mm}^2/\text{m}$
Reinforcement provided **A393 mesh**
Area of reinforcement provided $A_{s_heel_prov} = 393 \text{ mm}^2/\text{m}$

PASS - Reinforcement provided at the retaining wall heel is adequate

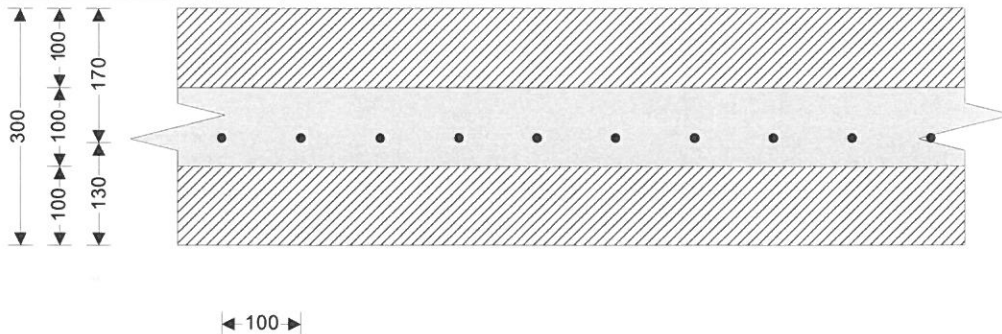
Check shear resistance at heel

Design shear stress $V_{heel} = V_{heel} / (b \times d_{heel}) = 0.159 \text{ N/mm}^2$
Allowable shear stress $V_{adm} = \min(0.8 \times \sqrt{f_{cu}} / 1 \text{ N/mm}^2, 5) \times 1 \text{ N/mm}^2 = 4.733 \text{ N/mm}^2$
PASS - Design shear stress is less than maximum shear stress

From BS8110:Part 1:1997 – Table 3.8

Design concrete shear stress $V_{c_heel} = 0.419 \text{ N/mm}^2$
 $V_{heel} < V_{c_heel}$ - No shear reinforcement required

Design of cavity reinforced masonry retaining wall stem - BS5628-2:2000



Wall details

Thickness of outer leaf of wall	$t_{outer} = 100 \text{ mm}$
Thickness of inner leaf of wall	$t_{inner} = 100 \text{ mm}$
Thickness of reinforced cavity	$t_{cavity} = t_{wall} - t_{outer} - t_{inner} = 100 \text{ mm}$
Depth of stem reinforcement	$d_{stem} = 170 \text{ mm}$

Masonry details

Masonry type	Aggregate concrete blocks no voids
Compressive strength of units	$p_{unit} = 7.3 \text{ N/mm}^2$
Mortar designation	(ii)
Category of manufacturing control of units	Category I
Partial safety factor for material strength	$\gamma_{mm} = 2.0$

Characteristic compressive strength of masonry

Least horizontal dimension of masonry units	$b_{unit} = 100.0 \text{ mm}$
Height of masonry units	$h_{unit} = 215.0 \text{ mm}$
Ratio of height to least horizontal dimension	$ratio = h_{unit} / b_{unit} = 2.2$

From BS5628:2 Table 3d, mortar ii

Characteristic compressive strength	$f_k = 6.4 \text{ N/mm}^2$
-------------------------------------	----------------------------

Factored horizontal at-rest forces on stem

Surcharge	$F_{s_sur_f} = \gamma_{f1} \times K_0 \times \text{Surcharge} \times (h_{eff} - t_{base} - d_{ds}) = 3.8 \text{ kN/m}$
Moist backfill above water table	$F_{s_m_a_f} = 0.5 \times \gamma_{f_e} \times K_0 \times \gamma_m \times (h_{eff} - t_{base} - d_{ds} - h_{sat})^2 = 21.4 \text{ kN/m}$

Calculate shear for stem design

Shear at base of stem	$V_{stem} = F_{s_sur_f} + F_{s_m_a_f} = 25.2 \text{ kN/m}$
-----------------------	---

Calculate moment for stem design

Surcharge	$M_{s_sur} = F_{s_sur_f} \times (h_{stem} + t_{base}) / 2 = 4.1 \text{ kNm/m}$
Moist backfill above water table	$M_{s_m_a} = F_{s_m_a_f} \times (2 \times h_{sat} + h_{eff} - d_{ds} + t_{base} / 2) / 3 = 16.4 \text{ kNm/m}$
Total moment for stem design	$M_{stem} = M_{s_sur} + M_{s_m_a} = 20.5 \text{ kNm/m}$

Check maximum design moment for wall stem

Width of wall	$b = 1000 \text{ mm/m}$
Maximum design moment	$M_{d_stem} = 0.4 \times f_k \times b \times d_{stem}^2 / \gamma_{mm} = 37.0 \text{ kNm/m}$
	PASS - Applied moment is less than maximum design moment

Check wall stem in bending

Moment of resistance factor	$Q = M_{stem} / d_{stem}^2 = 0.708 \text{ N/mm}^2$
	$Q = 2 \times c \times (1 - c) \times f_k / \gamma_{mm}$
Lever arm factor	$c = 0.873$

Project Ty Twyn, Mill Road, Dinas Powys, Vale of Glamorgan		Job no. 6154	
Calcs for Lower wall		Start page no./Revision 8 / 10	
Calcs by NC	Calcs date 14/11/2017	Checked by JM	Checked date 14/11/2017
Approved by JM		Approved date 14/11/2017	

Lever arm

$$z_{stem} = \min(0.95, c) \times d_{stem} = 148.4 \text{ mm}$$

Area of tension reinforcement required

$$A_{s_stem_des} = M_{stem} \times \gamma_{ms} / (f_y \times z_{stem}) = 317 \text{ mm}^2/\text{m}$$

Minimum area of tension reinforcement

$$A_{s_stem_min} = k \times b \times t_{wall} = 390 \text{ mm}^2/\text{m}$$

Area of tension reinforcement required

$$A_{s_stem_req} = \text{Max}(A_{s_stem_des}, A_{s_stem_min}) = 390 \text{ mm}^2/\text{m}$$

Reinforcement provided

12 mm dia.bars @ 100 mm centres

Area of reinforcement provided

$$A_{s_stem_prov} = \pi \times \phi_{stem}^2 / (4 \times s_{stem}) = 1131 \text{ mm}^2/\text{m}$$

PASS - Reinforcement provided at the retaining wall stem is adequate

Check shear resistance at wall stem

Design shear stress

$$v_{stem} = V_{stem} / (b \times d_{stem}) = 0.148 \text{ N/mm}^2$$

Basic characteristic shear strength of masonry

$$f_{vbas} = \min[0.35 + (17.5 \times A_{s_stem_prov} / (b \times d_{stem})), 0.7] \times 1 \text{ N/mm}^2$$

$$f_{vbas} = 0.466 \text{ N/mm}^2$$

Shear span

$$a = M_{stem} / V_{stem} = 812.9 \text{ mm}$$

Characteristic shear strength of masonry

$$f_v = \text{Min}(f_{vbas} \times \max(2.5 - 0.25 \times (a / d_{stem}), 1), 1.75 \text{ N/mm}^2)$$

$$f_v = 0.608 \text{ N/mm}^2$$

Allowable shear stress

$$v_{adm} = f_v / \gamma_{mv} = 0.304 \text{ N/mm}^2$$

PASS - Design shear stress is less than maximum shear stress

Check limiting dimensions

Limiting span/effective depth ratio

$$\text{ratio}_{max} = 18.00$$

Actual span/effective depth ratio

$$\text{ratio}_{act} = (h_{stem} + d_{stem} / 2) / d_{stem} = 11.38$$

PASS - Span to depth ratio is acceptable

Axial load check

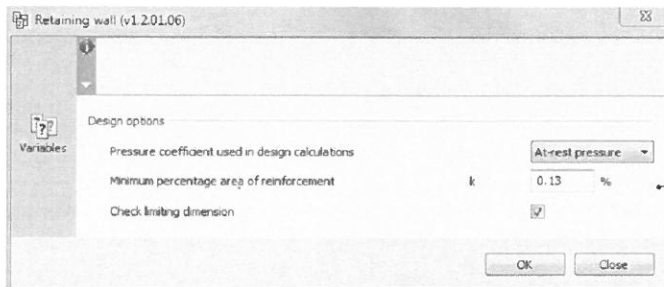
Factored axial load on wall

$$N_{wall} = ([t_{wall} \times h_{stem} \times \gamma_{wall} + W_{dead}] \times \gamma_{t,d}) + (W_{live} \times \gamma_{t,l}) = 22.1 \text{ kN/m}$$

Limiting axial load

$$N_{limit} = 0.1 \times f_k \times t_{wall} = 192.0 \text{ kN/m}$$

Applied axial load may be ignored - calculations valid

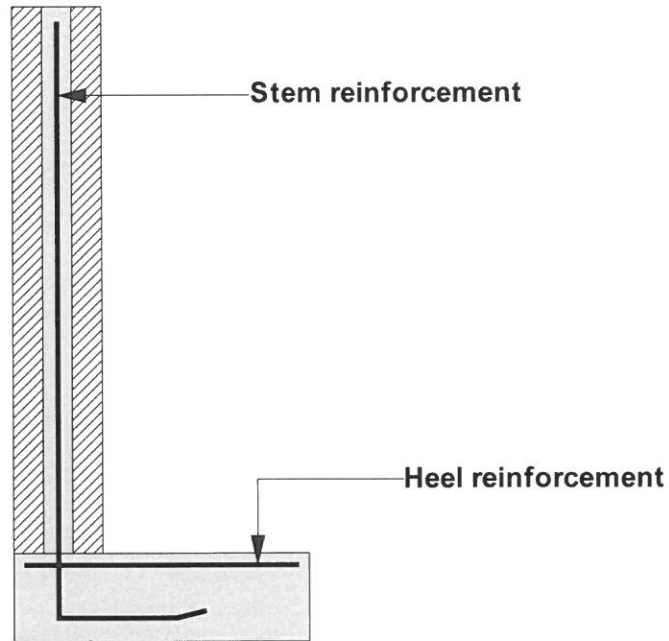




29 Bocam Park, Old Field Road
Pencoed, Bridgend
CF35 5LJ

Project Ty Twyn, Mill Road, Dinas Powys, Vale of Glamorgan				Job no. 6154	
Calcs for Lower wall				Start page no./Revision A 11	
Calcs by NC	Calcs date 14/11/2017	Checked by JM	Checked date 14/11/2017	Approved by JM	Approved date 14/11/2017

Indicative retaining wall reinforcement diagram

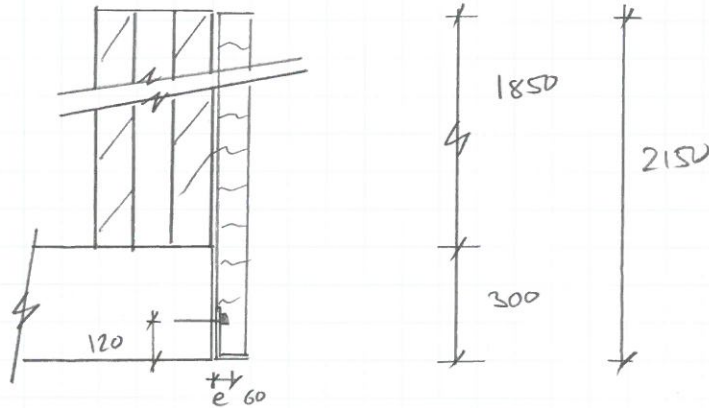


Heel mesh - A393 - (393 mm²/m)

Stem bars - 12 mm dia. @ 100 mm centres - (1131 mm²/m)



LOWER WALL - STONE CHANNEL SUPPORT ANGLE



BONDED STONE FACE CHARACTER = 22 kN/m^3

THICKNESS = 100mm

$\gamma = 1.4$

HEIGHT = 2.15m

VERTICAL LOAD ON ANGLE = $22 \text{ kN/m}^3 \times 0.1 \text{ m} \times 2.15 \text{ m} \times 1.4 = 6.6 \text{ kN/m}$

SEE HILTI CAST IN ANCHOR CHANNEL OUTPUT FOR CHANNEL CAPACITY/DESIGN. TYPICAL 1m LENGTH.

PROVIDE HILTI HAC-SOF CHANNEL HSC-C SOR BOLTS.

ANGLE CHECK.

STONE CHANNEL UDL w_{CT} = 6.6 kN/m.

ECCENTRICITY 'e' = 60mm.

MOMENT M_{CT} = $6.6 \text{ kN/m} \times 0.06 \text{ m} = 0.4 \text{ kNm/m}$

$P_y = 275 \text{ N/mm}^2$

$Z_{xx \text{ reqd}} = \frac{0.4 \text{ kNm} \times 10^6}{275 \text{ N/mm}^2} = 1454 \text{ mm}^3$

TRY 5mm THICK ANGLE

$Z_{xx} = \frac{bd^2}{6} = \frac{100 \times 5^2}{6} = 4167 \text{ mm}^3 > 1454 \text{ mm}^3$

∴ OK

∴ PROVIDE 150x90x5 STRIP ROLLER STEEL ANGLE

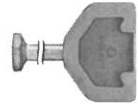
www.hilti.fr

Company: Vale Consultancy
 Specifier:
 Address:
 Phone | Fax: |
 E-Mail:

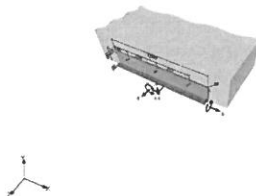
Page: 13
 Project: Ty Twyn, Mill Road,
 Fastening point: Lower Wall
 Location | Date: 13/08/2017

Specifier's comments:
1 Input data

Channel type; bolt	HAC-50 106/1050 F; HBC-C 50R, M10 x 40 mm
Effective embedment depth	$h_{ef} = 106$ mm
Channel specification	Length: 1050 mm, anchor spacing: 250 mm, projection: 25 mm, width: $b_{ch} = 42$ mm, height: $h_{ch} = 31$ mm
Material	Anchor & Channel: hot-dip galvanized Bolt: stainless
Europ. Tech. Assessment (ETA)	-
Issued Valid	- -
Standard	CEN/TS 1992-4-3
Base material	uncracked, C20/25, $f_{ck,cube} = 25.0$ N/mm ² , $h = \infty$ mm
Reinforcement	Exist. Reinf.: Widely spaced Straight edge reinf. present Reinf. to control splitting present
Tolerance data	tolerance interval: -1000 mm/1000 mm most unfavorable tolerance: 0 mm


2 Overall Result
Design ok! (Maximum utilization: 31%)
2.1 Fixtures / Bolt groups / Loads

Fixture 1


3 Load case / Resulting bolt forces

Load case: Design load

3.1 Load distribution
3.1.1 Fixture 1: bolt: HBC-C 50R, M10 x 40 mm

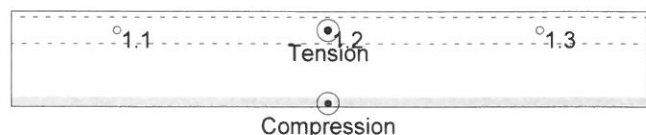
Profile: ; L x W x T = 1000 x 10 x 0 mm

Standoff: No standoff

Plate dimensions: 1000 mm x 150 mm x 10 mm

Anchorplate design calculated: no

Bolt	N [kN]	V [kN]	V _x [kN]	V _y [kN]
1.1	0.959	2.190	0.000	-2.190
1.2	0.959	2.200	0.000	-2.200
1.3	0.959	2.210	0.000	-2.210



Company: Vale Consultancy
 Specifier:
 Address:
 Phone | Fax: |
 E-Mail:

Page: 14
 Project: Ty Twyn, Mill Road,
 Fastening point: Lower Wall
 Location | Date: 13/08/2017

3.2 Derivation of forces acting on anchor channels

Anchor forces [kN]

Anchor	N	V
a1	0.377	-0.862
a2	0.725	-1.659
a3	0.671	-1.540
a4	0.726	-1.670
a5	0.377	-0.870

3.3 Verifications for anchor channels under tension loading (CEN/TS 1992-4-3:2009 section 6.2)

	Load [kN], [kNm]	Resistance [kN], [kNm]	Utilization [%]	Status
Bolt	0.959	10.150	10	ok

3.4 Verifications for anchor channels under shear loading (CEN/TS 1992-4-3:2009 section 6.3)

	Load [kN], [kNm]	Resistance [kN], [kNm]	Utilization [%]	Status
Bolt w/o lever arm	2.210	7.308	31	ok

3.5 Combined tension and shear loads (CEN/TS 1992-4-3:2009 section 6.4)

Proof of interaction calculated independently for acting load and load distribution

3.5.1 Bolt (Fixture 1, bolt 1.3)

$$\beta_{N,s}^\alpha + \beta_{V,s}^\alpha = 0.095^{2.0} + 0.302^{2.0} = 0.100 \leq 1.000$$

$\beta_{N,s}$: governing failure mode - tension: Bolt (Fixture 1, bolt 1.3)

$\beta_{V,s}$: governing failure mode - shear: Bolt w/o lever arm (Fixture 1, bolt 1.3)

3.5.2 Anchor channel (Anchor a3)

$$\beta_{N,a}^\alpha + \beta_{V,a}^\alpha = 0.037^{1.5} + 0.122^{1.5} = 0.050 \leq 1.000$$

$\beta_{N,a}$: governing failure mode - tension: Connection anchor-channel (Anchor)

$\beta_{V,a}$: governing failure mode - shear: Concrete edge failure (Anchor)

Remarks and warnings

- Please consider all details and hints/warnings given in the detailed report!

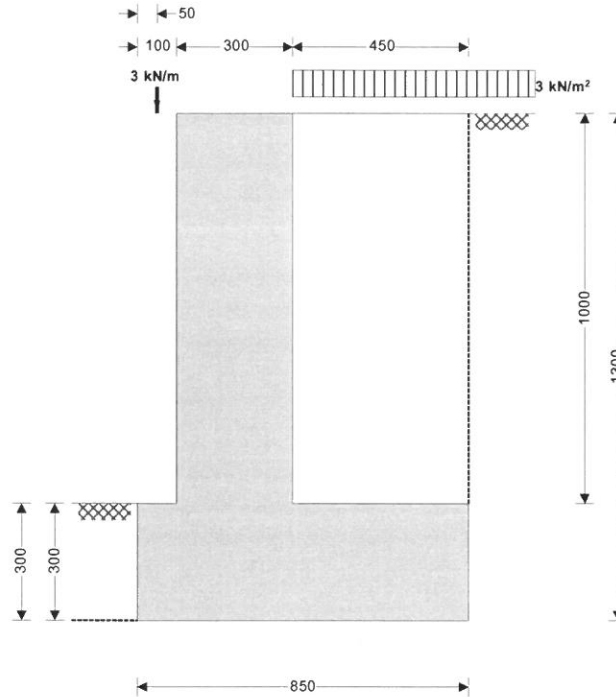
Design ok! (Maximum utilization: 31%)

4 Remarks; Your Cooperation Duties

- Any and all information and data contained in the Software concern solely the use of Hilti products and are based on the principles, formulas and security regulations in accordance with Hilti's technical directions and operating, mounting and assembly instructions, etc., that must be strictly complied with by the user. All figures contained therein are average figures, and therefore use-specific tests are to be conducted prior to using the relevant Hilti product. The results of the calculations carried out by means of the Software are based essentially on the data you put in. Therefore, you bear the sole responsibility for the absence of errors, the completeness and the relevance of the data to be put in by you. Moreover, you bear sole responsibility for having the results of the calculation checked and cleared by an expert, particularly with regard to compliance with applicable norms and permits, prior to using them for your specific facility. The Software serves only as an aid to interpret norms and permits without any guarantee as to the absence of errors, the correctness and the relevance of the results or suitability for a specific application.
- You must take all necessary and reasonable steps to prevent or limit damage caused by the Software. In particular, you must arrange for the regular backup of programs and data and, if applicable, carry out the updates of the Software offered by Hilti on a regular basis. If you do not use the AutoUpdate function of the Software, you must ensure that you are using the current and thus up-to-date version of the Software in each case by carrying out manual updates via the Hilti Website. Hilti will not be liable for consequences, such as the recovery of lost or damaged data or programs, arising from a culpable breach of duty by you.

RETAINING WALL ANALYSIS (BS 8002:1994)

TEDDS calculation version 1.2.01.06



Wall details

Retaining wall type
Height of retaining wall stem
Thickness of wall stem
Length of toe
Length of heel
Overall length of base
Thickness of base
Depth of downstand
Position of downstand
Thickness of downstand
Height of retaining wall
Depth of cover in front of wall
Depth of unplanned excavation
Height of ground water behind wall
Height of saturated fill above base
Density of wall construction
Density of base construction
Angle of rear face of wall
Angle of soil surface behind wall
Effective height at virtual back of wall

Unpropped cantilever

$h_{\text{stem}} = 1000$ mm
 $t_{\text{wall}} = 300$ mm
 $l_{\text{toe}} = 100$ mm
 $l_{\text{heel}} = 450$ mm
 $l_{\text{base}} = l_{\text{toe}} + l_{\text{heel}} + t_{\text{wall}} = 850$ mm
 $t_{\text{base}} = 300$ mm
 $d_{\text{ds}} = 0$ mm
 $l_{\text{ds}} = 450$ mm
 $t_{\text{ds}} = 300$ mm
 $h_{\text{wall}} = h_{\text{stem}} + t_{\text{base}} + d_{\text{ds}} = 1300$ mm
 $d_{\text{cover}} = 0$ mm
 $d_{\text{exc}} = 300$ mm
 $h_{\text{water}} = 0$ mm
 $h_{\text{sat}} = \max(h_{\text{water}} - t_{\text{base}} - d_{\text{ds}}, 0 \text{ mm}) = 0$ mm
 $\gamma_{\text{wall}} = 20.0$ kN/m³
 $\gamma_{\text{base}} = 23.6$ kN/m³
 $\alpha = 90.0$ deg
 $\beta = 0.0$ deg
 $h_{\text{eff}} = h_{\text{wall}} + l_{\text{heel}} \times \tan(\beta) = 1300$ mm

Retained material details

Mobilisation factor
 $M = 1.5$
Moist density of retained material
 $\gamma_m = 17.5$ kN/m³

Saturated density of retained material $\gamma_s = 21.0 \text{ kN/m}^3$
 Design shear strength $\phi' = 24.2 \text{ deg}$
 Angle of wall friction $\delta = 18.6 \text{ deg}$

Base material details

Moist density $\gamma_{mb} = 18.0 \text{ kN/m}^3$
 Design shear strength $\phi'_b = 27.5 \text{ deg}$
 Design base friction $\delta_b = 21.3 \text{ deg}$
 Allowable bearing pressure $P_{\text{bearing}} = 150 \text{ kN/m}^2$

Using Coulomb theory

Active pressure coefficient for retained material

$$K_a = \sin(\alpha + \phi')^2 / (\sin(\alpha)^2 \times \sin(\alpha - \delta) \times [1 + \sqrt{(\sin(\phi' + \delta) \times \sin(\phi' - \beta) / (\sin(\alpha - \delta) \times \sin(\alpha + \beta)))^2}] = 0.369$$

Passive pressure coefficient for base material

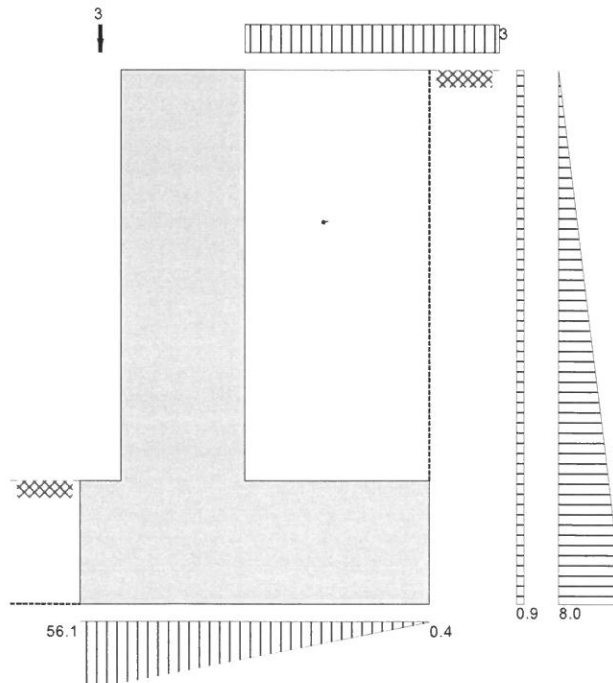
$$K_p = \sin(90 - \phi'_b)^2 / (\sin(90 - \delta_b) \times [1 - \sqrt{(\sin(\phi'_b + \delta_b) \times \sin(\phi'_b) / (\sin(90 + \delta_b)))^2}] = 5.571$$

At-rest pressure

At-rest pressure for retained material $K_0 = 1 - \sin(\phi') = 0.590$

Loading details

Surcharge load on plan Surcharge = 2.5 kN/m²
 Applied vertical dead load on wall $W_{\text{dead}} = 3.0 \text{ kN/m}$
 Applied vertical live load on wall $W_{\text{live}} = 0.0 \text{ kN/m}$
 Position of applied vertical load on wall $l_{\text{load}} = 50 \text{ mm}$
 Applied horizontal dead load on wall $F_{\text{dead}} = 0.0 \text{ kN/m}$
 Applied horizontal live load on wall $F_{\text{live}} = 0.0 \text{ kN/m}$
 Height of applied horizontal load on wall $h_{\text{load}} = 0 \text{ mm}$



Loads shown in kN/m, pressures shown in kN/m²

Vertical forces on wall

Wall stem $W_{\text{wall}} = h_{\text{stem}} \times t_{\text{wall}} \times \gamma_{\text{wall}} = 6 \text{ kN/m}$



29 Bocam Park, Old Field Road
Pencoed, Bridgend
CF35 5LJ

Project Ty Twyn, Mill Road, Dinas Powys, Vale of Glamorgan		Job no. 6154	
Calcs for Upper wall		Start page no./Revision A 17	
Calcs by NC	Calcs date 14/11/2017	Checked by JM	Checked date 14/11/2017
Approved by JM		Approved date 14/11/2017	

Wall base

$$W_{base} = l_{base} \times t_{base} \times \gamma_{base} = 6 \text{ kN/m}$$

Surcharge

$$W_{sur} = \text{Surcharge} \times l_{heel} = 1.1 \text{ kN/m}$$

Moist backfill to top of wall

$$W_{m_w} = l_{heel} \times (h_{stem} - h_{sat}) \times \gamma_m = 7.9 \text{ kN/m}$$

Applied vertical load

$$W_v = W_{dead} + W_{live} = 3 \text{ kN/m}$$

Total vertical load

$$W_{total} = W_{wall} + W_{base} + W_{sur} + W_{m_w} + W_v = 24 \text{ kN/m}$$

Horizontal forces on wall

Surcharge

$$F_{sur} = K_a \times \cos(90 - \alpha + \delta) \times \text{Surcharge} \times h_{eff} = 1.1 \text{ kN/m}$$

Moist backfill above water table

$$F_{m_a} = 0.5 \times K_a \times \cos(90 - \alpha + \delta) \times \gamma_m \times (h_{eff} - h_{water})^2 = 5.2 \text{ kN/m}$$

Total horizontal load

$$F_{total} = F_{sur} + F_{m_a} = 6.3 \text{ kN/m}$$

Calculate stability against sliding

Resistance to sliding

$$F_{res} = (W_{total} - W_{sur}) \times \tan(\delta_b) = 8.9 \text{ kN/m}$$

PASS - Resistance force is greater than sliding force

Overturning moments

Surcharge

$$M_{sur} = F_{sur} \times (h_{eff} - 2 \times d_{ds}) / 2 = 0.7 \text{ kNm/m}$$

Moist backfill above water table

$$M_{m_a} = F_{m_a} \times (h_{eff} + 2 \times h_{water} - 3 \times d_{ds}) / 3 = 2.2 \text{ kNm/m}$$

Total overturning moment

$$M_{ot} = M_{sur} + M_{m_a} = 3 \text{ kNm/m}$$

Restoring moments

Wall stem

$$M_{wall} = W_{wall} \times (l_{toe} + t_{wall} / 2) = 1.5 \text{ kNm/m}$$

Wall base

$$M_{base} = W_{base} \times l_{base} / 2 = 2.6 \text{ kNm/m}$$

Moist backfill

$$M_{m_r} = (W_{m_w} \times (l_{base} - l_{heel} / 2) + W_{m_s} \times (l_{base} - l_{heel} / 3)) = 4.9 \text{ kNm/m}$$

Design vertical dead load

$$M_{dead} = W_{dead} \times l_{load} = 0.2 \text{ kNm/m}$$

Total restoring moment

$$M_{rest} = M_{wall} + M_{base} + M_{m_r} + M_{dead} = 9.1 \text{ kNm/m}$$

Check stability against overturning

Total overturning moment

$$M_{ot} = 3.0 \text{ kNm/m}$$

Total restoring moment

$$M_{rest} = 9.1 \text{ kNm/m}$$

PASS - Restoring moment is greater than overturning moment

Check bearing pressure

Surcharge

$$M_{sur_r} = W_{sur} \times (l_{base} - l_{heel} / 2) = 0.7 \text{ kNm/m}$$

Total moment for bearing

$$M_{total} = M_{rest} - M_{ot} + M_{sur_r} = 6.9 \text{ kNm/m}$$

Total vertical reaction

$$R = W_{total} = 24.0 \text{ kN/m}$$

Distance to reaction

$$x_{bar} = M_{total} / R = 285 \text{ mm}$$

Eccentricity of reaction

$$e = \text{abs}((l_{base} / 2) - x_{bar}) = 140 \text{ mm}$$

Reaction acts within middle third of base

Bearing pressure at toe

$$p_{toe} = (R / l_{base}) + (6 \times R \times e / l_{base}^2) = 56.1 \text{ kN/m}^2$$

Bearing pressure at heel

$$p_{heel} = (R / l_{base}) - (6 \times R \times e / l_{base}^2) = 0.4 \text{ kN/m}^2$$

PASS - Maximum bearing pressure is less than allowable bearing pressure



29 Bocam Park, Old Field Road
Pencoed, Bridgend
CF35 5LJ

Project Ty Twyn, Mill Road, Dinas Powys, Vale of Glamorgan		Job no. 6154	
Calcs for Upper wall		Start page no./Revision A 18	
Calcs by NC	Calcs date 14/11/2017	Checked by JM	Checked date 14/11/2017
Approved by JM		Approved date 14/11/2017	

RETAINING WALL DESIGN (BS 8002:1994)

TEDDS calculation version 1.2.01.06

Ultimate limit state load factors

Dead load factor	$\gamma_{f_d} = 1.4$
Live load factor	$\gamma_{f_l} = 1.6$
Earth and water pressure factor	$\gamma_{f_e} = 1.4$

Factored vertical forces on wall

Wall stem	$W_{wall_f} = \gamma_{f_d} \times h_{stem} \times t_{wall} \times \gamma_{wall} = 8.4 \text{ kN/m}$
Wall base	$W_{base_f} = \gamma_{f_d} \times l_{base} \times t_{base} \times \gamma_{base} = 8.4 \text{ kN/m}$
Surcharge	$W_{sur_f} = \gamma_{f_l} \times \text{Surcharge} \times l_{heel} = 1.8 \text{ kN/m}$
Moist backfill to top of wall	$W_{m_w_f} = \gamma_{f_d} \times l_{heel} \times (h_{stem} - h_{sat}) \times \gamma_m = 11 \text{ kN/m}$
Applied vertical load	$W_{v_f} = \gamma_{f_d} \times W_{dead} + \gamma_{f_l} \times W_{live} = 4.2 \text{ kN/m}$
Total vertical load	$W_{total_f} = W_{wall_f} + W_{base_f} + W_{sur_f} + W_{m_w_f} + W_{v_f} = 33.9 \text{ kN/m}$

Factored horizontal at-rest forces on wall

Surcharge	$F_{sur_f} = \gamma_{f_l} \times K_0 \times \text{Surcharge} \times h_{eff} = 3.1 \text{ kN/m}$
Moist backfill above water table	$F_{m_a_f} = \gamma_{f_e} \times 0.5 \times K_0 \times \gamma_m \times (h_{eff} - h_{water})^2 = 12.2 \text{ kN/m}$
Total horizontal load	$F_{total_f} = F_{sur_f} + F_{m_a_f} = 15.3 \text{ kN/m}$

Factored overturning moments

Surcharge	$M_{sur_f} = F_{sur_f} \times (h_{eff} - 2 \times d_{ds}) / 2 = 2 \text{ kNm/m}$
Moist backfill above water table	$M_{m_a_f} = F_{m_a_f} \times (h_{eff} + 2 \times h_{water} - 3 \times d_{ds}) / 3 = 5.3 \text{ kNm/m}$
Total overturning moment	$M_{ot_f} = M_{sur_f} + M_{m_a_f} = 7.3 \text{ kNm/m}$

Restoring moments

Wall stem	$M_{wall_f} = W_{wall_f} \times (l_{toe} + t_{wall} / 2) = 2.1 \text{ kNm/m}$
Wall base	$M_{base_f} = W_{base_f} \times l_{base} / 2 = 3.6 \text{ kNm/m}$
Surcharge	$M_{sur_r_f} = W_{sur_f} \times (l_{base} - l_{heel} / 2) = 1.1 \text{ kNm/m}$
Moist backfill	$M_{m_r_f} = (W_{m_w_f} \times (l_{base} - l_{heel} / 2) + W_{m_s_f} \times (l_{base} - l_{heel} / 3)) = 6.9 \text{ kNm/m}$
Design vertical load	$M_{v_f} = W_{v_f} \times l_{load} = 0.2 \text{ kNm/m}$
Total restoring moment	$M_{rest_f} = M_{wall_f} + M_{base_f} + M_{sur_r_f} + M_{m_r_f} + M_{v_f} = 13.9 \text{ kNm/m}$

Factored bearing pressure

Total moment for bearing	$M_{total_f} = M_{rest_f} - M_{ot_f} = 6.6 \text{ kNm/m}$
Total vertical reaction	$R_f = W_{total_f} = 33.9 \text{ kN/m}$
Distance to reaction	$X_{bar_f} = M_{total_f} / R_f = 196 \text{ mm}$
Eccentricity of reaction	$e_f = \text{abs}((l_{base} / 2) - X_{bar_f}) = 229 \text{ mm}$

Reaction acts outside middle third of base

Bearing pressure at toe	$p_{toe_f} = R_f / (1.5 \times X_{bar_f}) = 115.4 \text{ kN/m}^2$
Bearing pressure at heel	$p_{heel_f} = 0 \text{ kN/m}^2 = 0 \text{ kN/m}^2$
Rate of change of base reaction	$\text{rate} = p_{toe_f} / (3 \times X_{bar_f}) = 196.78 \text{ kN/m}^2/\text{m}$
Bearing pressure at stem / toe	$p_{stem_toe_f} = \text{max}(p_{toe_f} - (\text{rate} \times l_{toe}), 0 \text{ kN/m}^2) = 95.7 \text{ kN/m}^2$
Bearing pressure at mid stem	$p_{stem_mid_f} = \text{max}(p_{toe_f} - (\text{rate} \times (l_{toe} + t_{wall} / 2)), 0 \text{ kN/m}^2) = 66.2 \text{ kN/m}^2$
Bearing pressure at stem / heel	$p_{stem_heel_f} = \text{max}(p_{toe_f} - (\text{rate} \times (l_{toe} + t_{wall})), 0 \text{ kN/m}^2) = 36.7 \text{ kN/m}^2$

Design of reinforced concrete retaining wall toe (BS 8002:1994)

Material properties

Characteristic strength of concrete	$f_{cu} = 35 \text{ N/mm}^2$
Characteristic strength of reinforcement	$f_y = 500 \text{ N/mm}^2$

Project Ty Twyn, Mill Road, Dinas Powys, Vale of Glamorgan				Job no. 6154	
Calcs for Upper wall				Start page no./Revision A 19	
Calcs by NC	Calcs date 14/11/2017	Checked by JM	Checked date 14/11/2017	Approved by JM	Approved date 14/11/2017

Base details

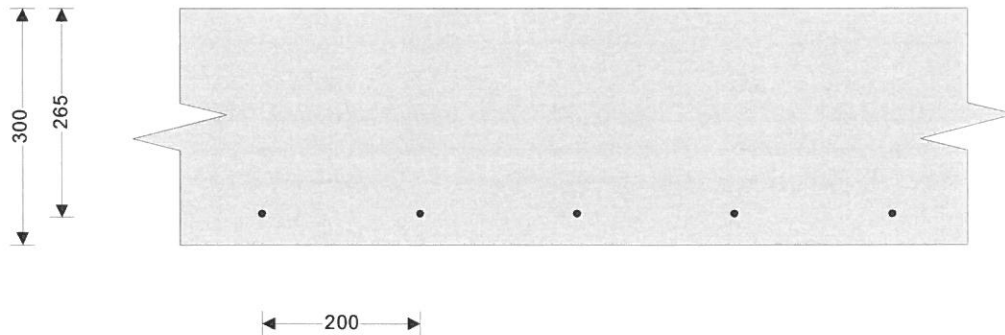
Minimum area of reinforcement $k = 0.13 \%$
 Cover to reinforcement in toe $c_{toe} = 30 \text{ mm}$

Calculate shear for toe design

Shear from bearing pressure $V_{toe_bear} = (p_{toe_f} + p_{stem_toe_f}) \times l_{toe} / 2 = 10.6 \text{ kN/m}$
 Shear from weight of base $V_{toe_wt_base} = \gamma_{f_d} \times \gamma_{base} \times l_{toe} \times t_{base} = 1 \text{ kN/m}$
 Total shear for toe design $V_{toe} = V_{toe_bear} - V_{toe_wt_base} = 9.6 \text{ kN/m}$

Calculate moment for toe design

Moment from bearing pressure $M_{toe_bear} = (2 \times p_{toe_f} + p_{stem_mid_f}) \times (l_{toe} + t_{wall} / 2)^2 / 6 = 3.1 \text{ kNm/m}$
 Moment from weight of base $M_{toe_wt_base} = (\gamma_{f_d} \times \gamma_{base} \times t_{base} \times (l_{toe} + t_{wall} / 2)^2 / 2) = 0.3 \text{ kNm/m}$
 Total moment for toe design $M_{toe} = M_{toe_bear} - M_{toe_wt_base} = 2.8 \text{ kNm/m}$



Check toe in bending

Width of toe $b = 1000 \text{ mm/m}$
 Depth of reinforcement $d_{toe} = t_{base} - c_{toe} - (\phi_{toe} / 2) = 265.0 \text{ mm}$
 Constant $K_{toe} = M_{toe} / (b \times d_{toe}^2 \times f_{cu}) = 0.001$
Compression reinforcement is not required
 Lever arm $Z_{toe} = \min(0.5 + \sqrt{(0.25 - (\min(K_{toe}, 0.225) / 0.9))}, 0.95) \times d_{toe}$
 $Z_{toe} = 252 \text{ mm}$
 Area of tension reinforcement required $A_{s_toe_des} = M_{toe} / (0.87 \times f_y \times Z_{toe}) = 25 \text{ mm}^2/\text{m}$
 Minimum area of tension reinforcement $A_{s_toe_min} = k \times b \times t_{base} = 390 \text{ mm}^2/\text{m}$
 Area of tension reinforcement required $A_{s_toe_req} = \text{Max}(A_{s_toe_des}, A_{s_toe_min}) = 390 \text{ mm}^2/\text{m}$
 Reinforcement provided **A393 mesh**
 Area of reinforcement provided $A_{s_toe_prov} = 393 \text{ mm}^2/\text{m}$
PASS - Reinforcement provided at the retaining wall toe is adequate

Check shear resistance at toe

Design shear stress $v_{toe} = V_{toe} / (b \times d_{toe}) = 0.036 \text{ N/mm}^2$
 Allowable shear stress $v_{adm} = \min(0.8 \times \sqrt{f_{cu} / 1 \text{ N/mm}^2}, 5) \times 1 \text{ N/mm}^2 = 4.733 \text{ N/mm}^2$
PASS - Design shear stress is less than maximum shear stress

From BS8110:Part 1:1997 – Table 3.8

Design concrete shear stress $V_{c_toe} = 0.415 \text{ N/mm}^2$
 $V_{toe} < V_{c_toe}$ - No shear reinforcement required

Design of reinforced concrete retaining wall heel (BS 8002:1994)

Material properties

Characteristic strength of concrete $f_{cu} = 35 \text{ N/mm}^2$
 Characteristic strength of reinforcement $f_y = 500 \text{ N/mm}^2$

Project Ty Twyn, Mill Road, Dinas Powys, Vale of Glamorgan			Job no. 6154		
Calcs for Upper wall			Start page no./Revision A 20		
Calcs by NC	Calcs date 14/11/2017	Checked by JM	Checked date 14/11/2017	Approved by JM	Approved date 14/11/2017

Base details

Minimum area of reinforcement $k = 0.13 \%$
Cover to reinforcement in heel $C_{heel} = 30 \text{ mm}$

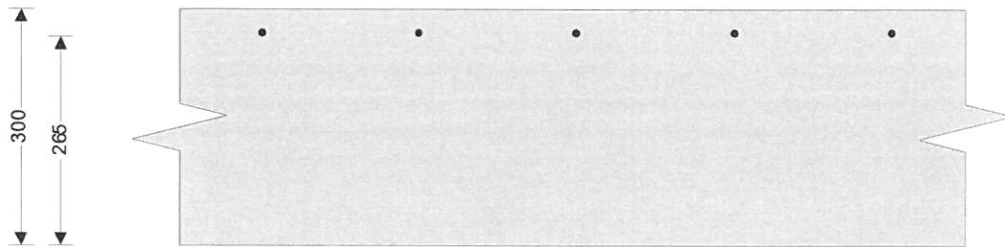
Calculate shear for heel design

Shear from bearing pressure $V_{heel_bear} = p_{stem_heel_f} \times ((3 \times x_{bar_f}) - l_{toe} - t_{wall}) / 2 = 3.4 \text{ kN/m}$
Shear from weight of base $V_{heel_wt_base} = \gamma_{f_d} \times \gamma_{base} \times l_{heel} \times t_{base} = 4.5 \text{ kN/m}$
Shear from weight of moist backfill $V_{heel_wt_m} = w_{m_w_f} = 11 \text{ kN/m}$
Shear from surcharge $V_{heel_sur} = w_{sur_f} = 1.8 \text{ kN/m}$
Total shear for heel design $V_{heel} = -V_{heel_bear} + V_{heel_wt_base} + V_{heel_wt_m} + V_{heel_sur} = 13.9 \text{ kN/m}$

Calculate moment for heel design

Moment from bearing pressure $M_{heel_bear} = p_{stem_mid_f} \times ((3 \times x_{bar_f}) - l_{toe} - t_{wall} / 2)^2 / 6 = 1.3 \text{ kNm/m}$
Moment from weight of base $M_{heel_wt_base} = (\gamma_{f_d} \times \gamma_{base} \times t_{base} \times (l_{heel} + t_{wall} / 2)^2 / 2) = 1.8 \text{ kNm/m}$
Moment from weight of moist backfill $M_{heel_wt_m} = w_{m_w_f} \times (l_{heel} + t_{wall}) / 2 = 4.1 \text{ kNm/m}$
Moment from surcharge $M_{heel_sur} = w_{sur_f} \times (l_{heel} + t_{wall}) / 2 = 0.7 \text{ kNm/m}$
Total moment for heel design $M_{heel} = -M_{heel_bear} + M_{heel_wt_base} + M_{heel_wt_m} + M_{heel_sur} = 5.3 \text{ kNm/m}$

← 200 →



Check heel in bending

Width of heel $b = 1000 \text{ mm/m}$
Depth of reinforcement $d_{heel} = t_{base} - C_{heel} - (\phi_{heel} / 2) = 265.0 \text{ mm}$
Constant $K_{heel} = M_{heel} / (b \times d_{heel}^2 \times f_{cu}) = 0.002$
Compression reinforcement is not required
Lever arm $Z_{heel} = \min(0.5 + \sqrt{(0.25 - (\min(K_{heel}, 0.225) / 0.9))}, 0.95) \times d_{heel}$
 $Z_{heel} = 252 \text{ mm}$
Area of tension reinforcement required $A_{s_heel_des} = M_{heel} / (0.87 \times f_y \times Z_{heel}) = 49 \text{ mm}^2/\text{m}$
Minimum area of tension reinforcement $A_{s_heel_min} = k \times b \times t_{base} = 390 \text{ mm}^2/\text{m}$
Area of tension reinforcement required $A_{s_heel_req} = \text{Max}(A_{s_heel_des}, A_{s_heel_min}) = 390 \text{ mm}^2/\text{m}$
Reinforcement provided **A393 mesh**
Area of reinforcement provided $A_{s_heel_prov} = 393 \text{ mm}^2/\text{m}$

PASS - Reinforcement provided at the retaining wall heel is adequate

Check shear resistance at heel

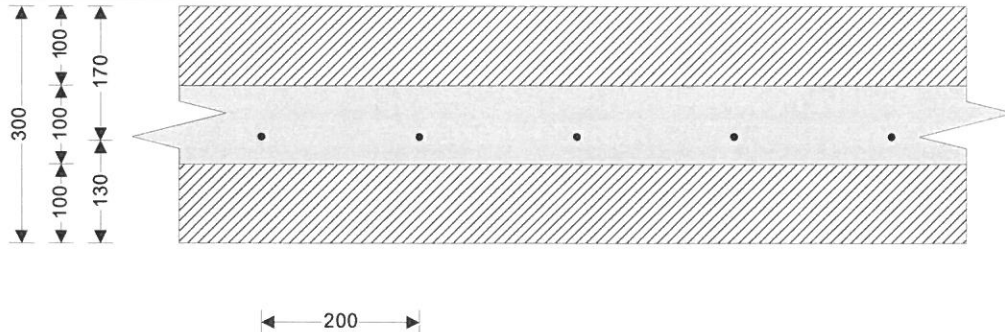
Design shear stress $V_{heel} = V_{heel} / (b \times d_{heel}) = 0.052 \text{ N/mm}^2$
Allowable shear stress $V_{adm} = \min(0.8 \times \sqrt{f_{cu}} / 1 \text{ N/mm}^2, 5) \times 1 \text{ N/mm}^2 = 4.733 \text{ N/mm}^2$
PASS - Design shear stress is less than maximum shear stress

From BS8110:Part 1:1997 – Table 3.8

Design concrete shear stress $V_{c_heel} = 0.415 \text{ N/mm}^2$
 $V_{heel} < V_{c_heel}$ - No shear reinforcement required

Project Ty Twyn, Mill Road, Dinas Powys, Vale of Glamorgan			Job no. 6154		
Calcs for Upper wall			Start page no./Revision A 21		
Calcs by NC	Calcs date 14/11/2017	Checked by JM	Checked date 14/11/2017	Approved by JM	Approved date 14/11/2017

Design of cavity reinforced masonry retaining wall stem - BS5628-2:2000



Wall details

Thickness of outer leaf of wall	$t_{outer} = 100 \text{ mm}$
Thickness of inner leaf of wall	$t_{inner} = 100 \text{ mm}$
Thickness of reinforced cavity	$t_{cavity} = t_{wall} - t_{outer} - t_{inner} = 100 \text{ mm}$
Depth of stem reinforcement	$d_{stem} = 170 \text{ mm}$

Masonry details

Masonry type	Aggregate concrete blocks no voids
Compressive strength of units	$p_{unit} = 7.3 \text{ N/mm}^2$
Mortar designation	(ii)
Category of manufacturing control of units	Category I
Partial safety factor for material strength	$\gamma_{mm} = 2.0$

Characteristic compressive strength of masonry

Least horizontal dimension of masonry units	$b_{unit} = 100.0 \text{ mm}$
Height of masonry units	$h_{unit} = 215.0 \text{ mm}$
Ratio of height to least horizontal dimension	$ratio = h_{unit} / b_{unit} = 2.2$

From BS5628:2 Table 3d, mortar ii

Characteristic compressive strength	$f_k = 6.4 \text{ N/mm}^2$
-------------------------------------	----------------------------

Factored horizontal at-rest forces on stem

Surcharge	$F_{s_sur_f} = \gamma_{f1} \times K_0 \times \text{Surcharge} \times (h_{eff} - t_{base} - d_{ds}) = 2.4 \text{ kN/m}$
Moist backfill above water table	$F_{s_m_a_f} = 0.5 \times \gamma_{fe} \times K_0 \times \gamma_m \times (h_{eff} - t_{base} - d_{ds} - h_{sat})^2 = 7.2 \text{ kN/m}$

Calculate shear for stem design

Shear at base of stem	$V_{stem} = F_{s_sur_f} + F_{s_m_a_f} = 9.6 \text{ kN/m}$
-----------------------	--

Calculate moment for stem design

Surcharge	$M_{s_sur} = F_{s_sur_f} \times (h_{stem} + t_{base}) / 2 = 1.5 \text{ kNm/m}$
Moist backfill above water table	$M_{s_m_a} = F_{s_m_a_f} \times (2 \times h_{sat} + h_{eff} - d_{ds} + t_{base} / 2) / 3 = 3.5 \text{ kNm/m}$
Total moment for stem design	$M_{stem} = M_{s_sur} + M_{s_m_a} = 5 \text{ kNm/m}$

Check maximum design moment for wall stem

Width of wall	$b = 1000 \text{ mm/m}$
Maximum design moment	$M_{d_stem} = 0.4 \times f_k \times b \times d_{stem}^2 / \gamma_{mm} = 37.0 \text{ kNm/m}$
PASS - Applied moment is less than maximum design moment	

Check wall stem in bending

Moment of resistance factor	$Q = M_{stem} / d_{stem}^2 = 0.174 \text{ N/mm}^2$
Lever arm factor	$Q = 2 \times c \times (1 - c) \times f_k / \gamma_{mm}$
	$c = 0.972$

Project Ty Twyn, Mill Road, Dinas Powys, Vale of Glamorgan			Job no. 6154		
Calcs for Upper wall			Start page no./Revision B 22		
Calcs by NC	Calcs date 14/11/2017	Checked by JM	Checked date 14/11/2017	Approved by JM	Approved date 14/11/2017

Lever arm

$$z_{stem} = \min(0.95, c) \times d_{stem} = 161.5 \text{ mm}$$

Area of tension reinforcement required

$$A_{s_stem_des} = M_{stem} \times \gamma_{ms} / (f_y \times z_{stem}) = 72 \text{ mm}^2/\text{m}$$

Minimum area of tension reinforcement

$$A_{s_stem_min} = k \times b \times t_{wall} = 390 \text{ mm}^2/\text{m}$$

Area of tension reinforcement required

$$A_{s_stem_req} = \text{Max}(A_{s_stem_des}, A_{s_stem_min}) = 390 \text{ mm}^2/\text{m}$$

Reinforcement provided

A393 mesh

Area of reinforcement provided

$$A_{s_stem_prov} = \pi \times \phi_{stem}^2 / (4 \times s_{stem}) = 393 \text{ mm}^2/\text{m}$$

PASS - Reinforcement provided at the retaining wall stem is adequate

Check shear resistance at wall stem

Design shear stress

$$v_{stem} = V_{stem} / (b \times d_{stem}) = 0.056 \text{ N/mm}^2$$

Basic characteristic shear strength of masonry

$$f_{vbas} = \min[0.35 + (17.5 \times A_{s_stem_prov} / (b \times d_{stem})), 0.7] \times 1 \text{ N/mm}^2$$

$$f_{vbas} = 0.390 \text{ N/mm}^2$$

Shear span

$$a = M_{stem} / V_{stem} = 524.4 \text{ mm}$$

Characteristic shear strength of masonry

$$f_v = \text{Min}(f_{vbas} \times \max(2.5 - 0.25 \times (a / d_{stem}), 1), 1.75 \text{ N/mm}^2)$$

$$f_v = 0.675 \text{ N/mm}^2$$

Allowable shear stress

$$v_{adm} = f_v / \gamma_{mv} = 0.337 \text{ N/mm}^2$$

PASS - Design shear stress is less than maximum shear stress

Check limiting dimensions

Limiting span/effective depth ratio

$$\text{ratio}_{max} = 18.00$$

Actual span/effective depth ratio

$$\text{ratio}_{act} = (h_{stem} + d_{stem} / 2) / d_{stem} = 6.38$$

PASS - Span to depth ratio is acceptable

Axial load check

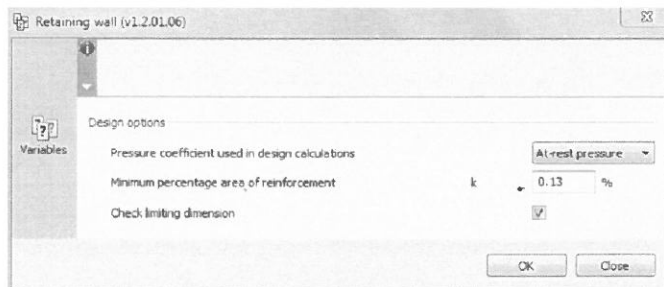
Factored axial load on wall

$$N_{wall} = ([t_{wall} \times h_{stem} \times \gamma_{wall} + W_{dead}] \times \gamma_{f_d}) + (W_{live} \times \gamma_{f_l}) = 12.6 \text{ kN/m}$$

Limiting axial load

$$N_{limit} = 0.1 \times f_k \times t_{wall} = 192.0 \text{ kN/m}$$

Applied axial load may be ignored - calculations valid

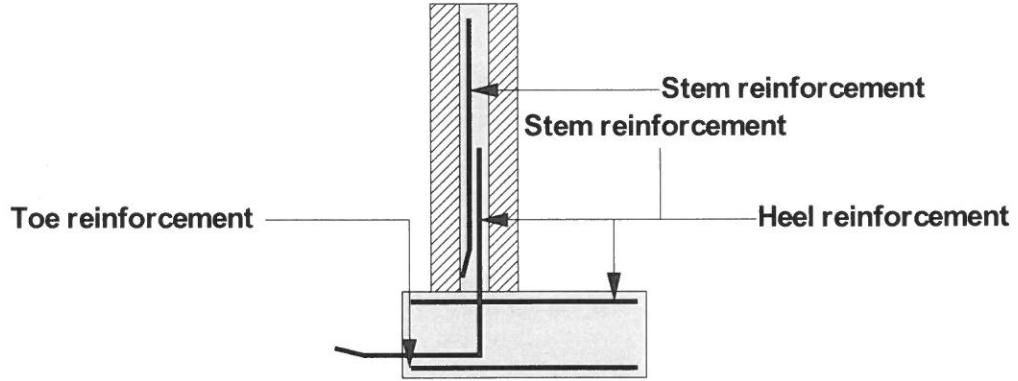




29 Bocam Park, Old Field Road
Pencoed, Bridgend
CF35 5LJ

Project Ty Twyn, Mill Road, Dinas Powys, Vale of Glamorgan				Job no. 6154	
Calcs for Upper wall				Start page no./Revision A 23	
Calcs by NC	Calcs date 14/11/2017	Checked by JM	Checked date 14/11/2017	Approved by JM	Approved date 14/11/2017

Indicative retaining wall reinforcement diagram



Toe mesh - A393 - (393 mm²/m)
Heel mesh - A393 - (393 mm²/m)
Stem mesh - A393 - (393 mm²/m)