

**NOTES**

This drawing is the copyright of Quattro Design Architects Ltd and should not be reproduced in whole or in part without written permission. Only figured dimensions to be used for construction. Check all dimensions on site. Any discrepancies are to be reported to the Architect as soon as possible.

**REVISIONS**

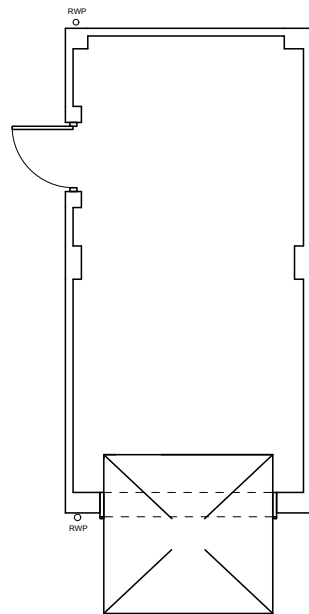
REV: DATE - DRAWN - CHECKED: NOTES

-: 18.05.17 - DC - CC:

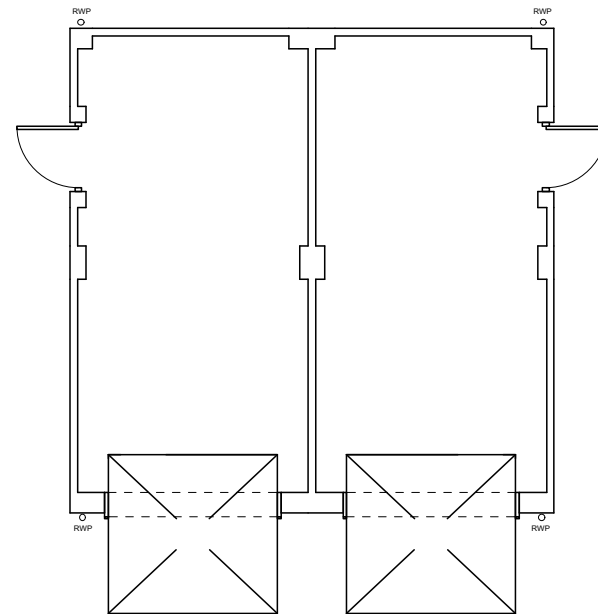
Drawing created.

A: 07.07.17 - DC - CC:

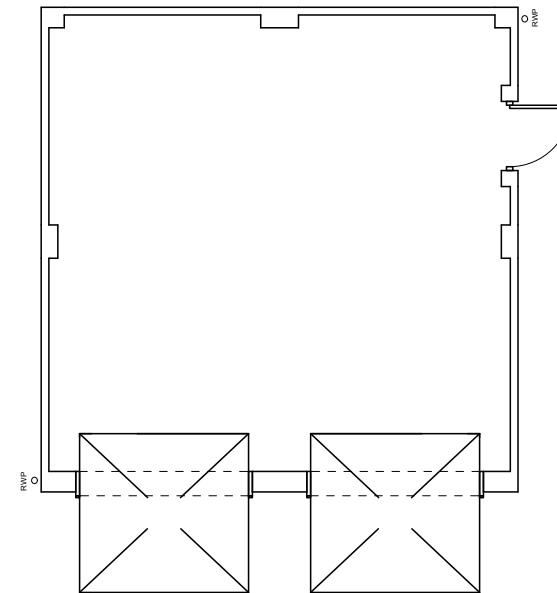
Plot numbers updated.



**Single Garage**  
Plots: 5, 11 (H), 15, 20 (H),  
25 (H), 30 & 32



**Twin Garage**  
Plots: 2, 9, 14, 19, 34 & 42 | Plots: 1, 8, 13,  
18, 33 & 43



**Double Garage**  
Plot: 40

**DRAWING TITLE**

Floor Plan:  
Garages

**PROJECT**

Cearleon Road, Dinas Powys

**CLIENT**

Kier Living

**SCALE**

1:100@A3

**DATE**

April 2017



**DRAWING NO.**

**REV**

5567/P/212

A