



- NOTES**
- THIS DRAWING IS TO BE READ IN CONJUNCTION WITH ALL OTHER RELEVANT DRAWINGS. ANY DISCREPANCIES, ERRORS OR OMISSIONS TO BE BROUGHT TO THE ATTENTION OF MPT.
 - DO NOT SCALE FROM THIS DRAWING
 - ALL DIMENSIONS ON THIS DRAWING ARE IN MILLIMETRES UNLESS SPECIFIED OTHERWISE.

- NOTES SPECIFIC TO CARRIER DRAINS**
- DIMENSION X REFERS TO THE PIPE DIAMETER.
 - THE MINIMUM OR MAXIMUM WIDTH OF THE TRENCH APPLIES ON AND BELOW A LINE 300mm ABOVE THE OUTSIDE TOP OF THE PIPE. ABOVE THE 300mm LINE THE TRENCH BACKFILL MATERIAL SHALL BE AS DESCRIBED IN THE PAVEMENT DETAILS.
 - THE CONCRETE BED OR SURROUND MAY EXTEND TO THE SIDES OF THE TRENCH OR BE OF MINIMUM WIDTH CLASS 8 MATERIAL IS TO BE USED TO FILL ANY VOIDS SO FORMED.
 - FOR TYPE Z TRENCH THE CONCRETE COVER MAY BE FORMED TO A RADIUS BATTER OR HORIZONTAL SURFACE. MINIMUM COVER OF CONCRETE SHALL BE 150mm.
 - PIPES WITH LESS THAN 1.2m COVER UNDER TRAFFICKED AREAS (0.9m COVER ELSEWHERE) TO HAVE CONCRETE BED AND SURROUND TYPE Z WITH EXPANSION JOINTS. PIPES IN DEPTH RANGE 1.2 - 3.0m UNDER TRAFFICKED AREAS (0.9-3.0m ELSEWHERE) TO HAVE BED AND SURROUND TYPE S (CLAY PIPES - BED TYPE F).

- NOTES SPECIFIC TO FILTER DRAINS**
- MINIMUM DRAIN WIDTH Y=X+300 FOR DRAINS NOT EXCEEDING 1.5m COVER BELOW FINISH LEVEL. Y=X+450 FOR DRAINS EXCEEDING 1.5m COVER BELOW FINISH LEVEL.

RECEIVED
- 7 JUN 2017
Regeneration
and Planning

17 005 64 FUL

ISSUE/REVISION	

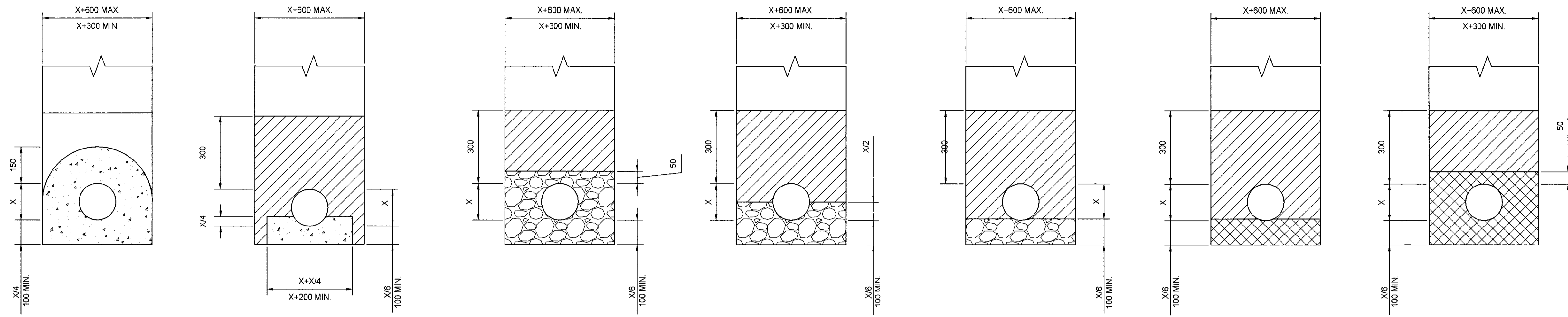
KEY PLAN

A	DATE	FOR PLANNING

PROJECT NUMBER
60509148

SHEET TITLE
ST. ATHAN
DRAINAGE TYPICAL DETAILS
SHEET 5 OF 8

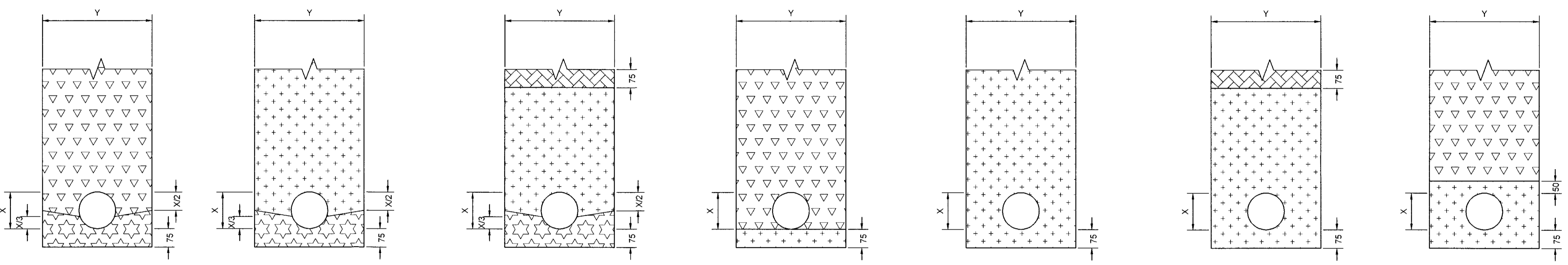
SHEET NUMBER
60509148-SHT-30-0000-CT-0525



TYPE Z TYPE A TYPE S TYPE B TYPE F TYPE N TYPE T

SURFACE WATER DRAINS - TRENCH AND BEDDING DETAILS

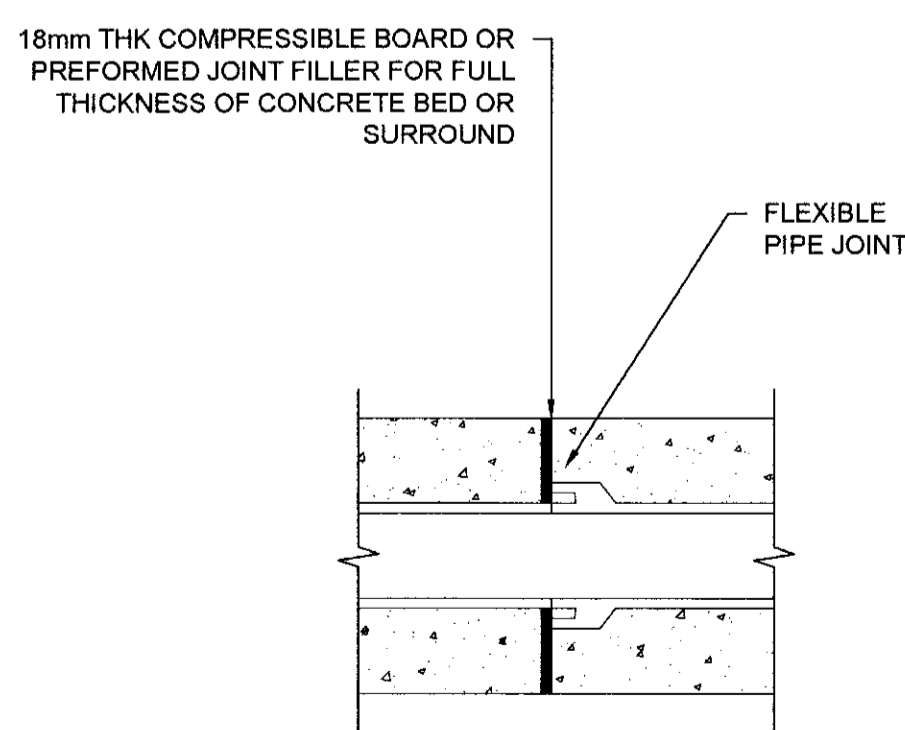
SCALE 1:10 @ A1 / 1:20 @ A3



TYPE G TYPE J TYPE L TYPE H TYPE K TYPE M TYPE I

FILTER DRAINS - TRENCH AND BEDDING DETAILS

SCALE 1:10 @ A1 / 1:20 @ A3



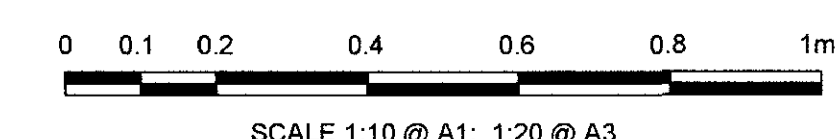
EXPANSION JOINT FOR CONCRETE SURROUND TO PIPES (TYPE Z)

(TO OCCUR AT ALL JOINTS AND NOT MORE THAN 8m APART)

SCALE 1:10 @ A1 / 1:20 @ A3

LEGEND

	GRANULAR MATERIAL TO S.H.W. CLAUSE 503.3 (i).		TYPE B FILTER MATERIAL TO S.H.W. CLAUSE 505.
	TYPE A OR C FILTER MATERIAL TO S.H.W. CLAUSE 505 OR GRANULAR MATERIAL TO S.H.W. CLAUSE 503.3 (i).		MATERIAL TO S.H.W CLAUSE 503.3(ii) E.G. SAND.
	CONCRETE TO S.H.W. CLAUSE 503.3 (iii).		ST2 CONCRETE TO S.H.W CLAUSE 2602.
	TURF OR SEED ON TOPSOIL AS DESCRIBED IN APPENDIX 1/5.		CLASS 8 MATERIAL TO S.H.W. CLAUSE 503.3 (iv).



SCALE 1:10 @ A1; 1:20 @ A3

File name: F:\PROJECTS\HIGHWAYS - ST. ATHAN\03 EXECUTION\03 Documents\08 CAD\01 WorkingDrawings\0500 - DRAINAGE\STANDARD DETAILS\SHEET 5.DWG User: TaylorD12 Plot time: 21-03-17 @ 11:23am
 Project Management Initials: Designer: M1 Checker: AT Approved: RM Issue Ref: 2017-03-21 Let issued by: TAYLORD12 Let issued by: TAYLORD12 Let issued by: TAYLORD12 Let issued by: TAYLORD12