



**PROJECT**  
**ST. ATHAN  
 NORTHERN  
 ACCESS  
 ROAD**

**CLIENT**  
 WELSH GOVERNMENT



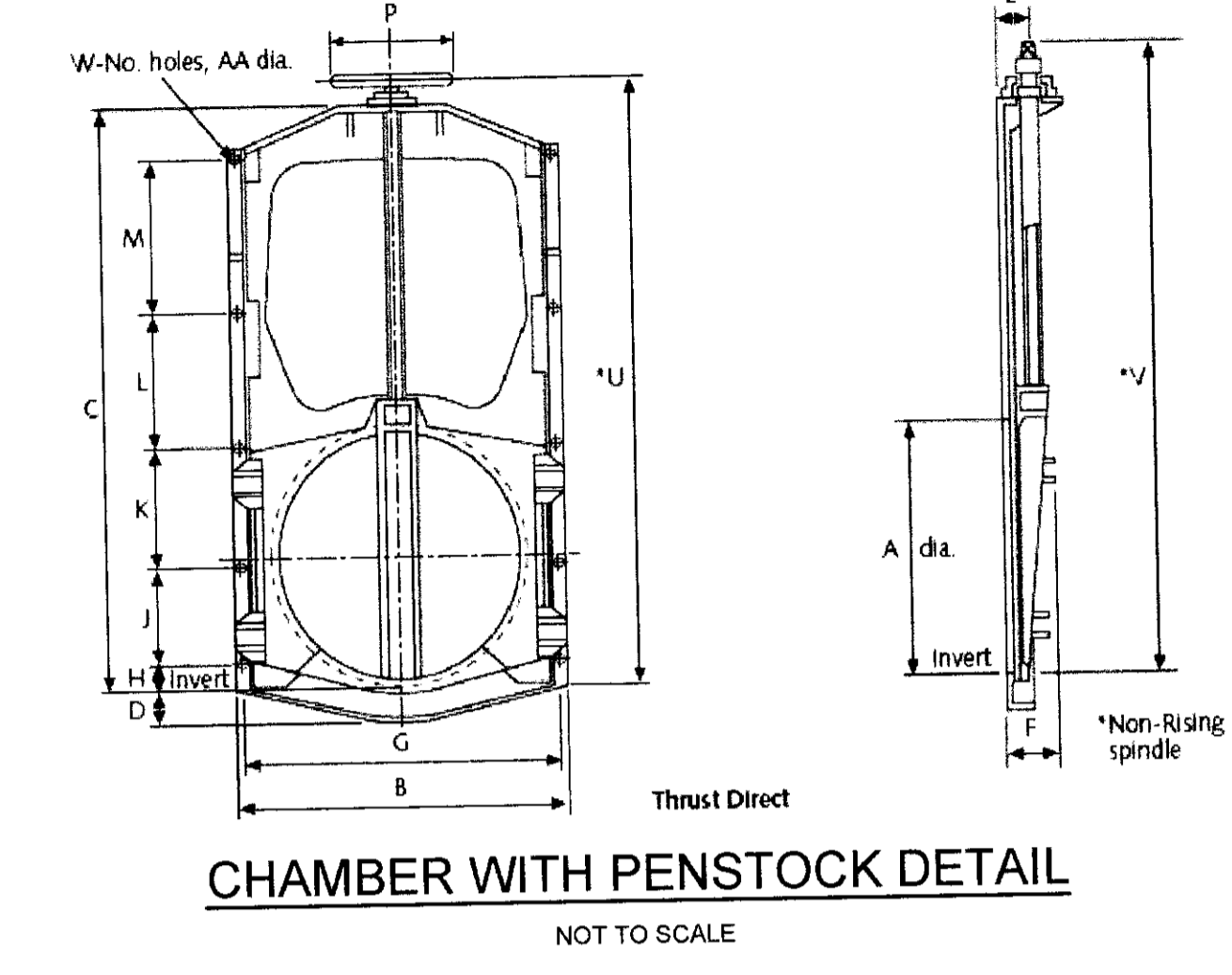
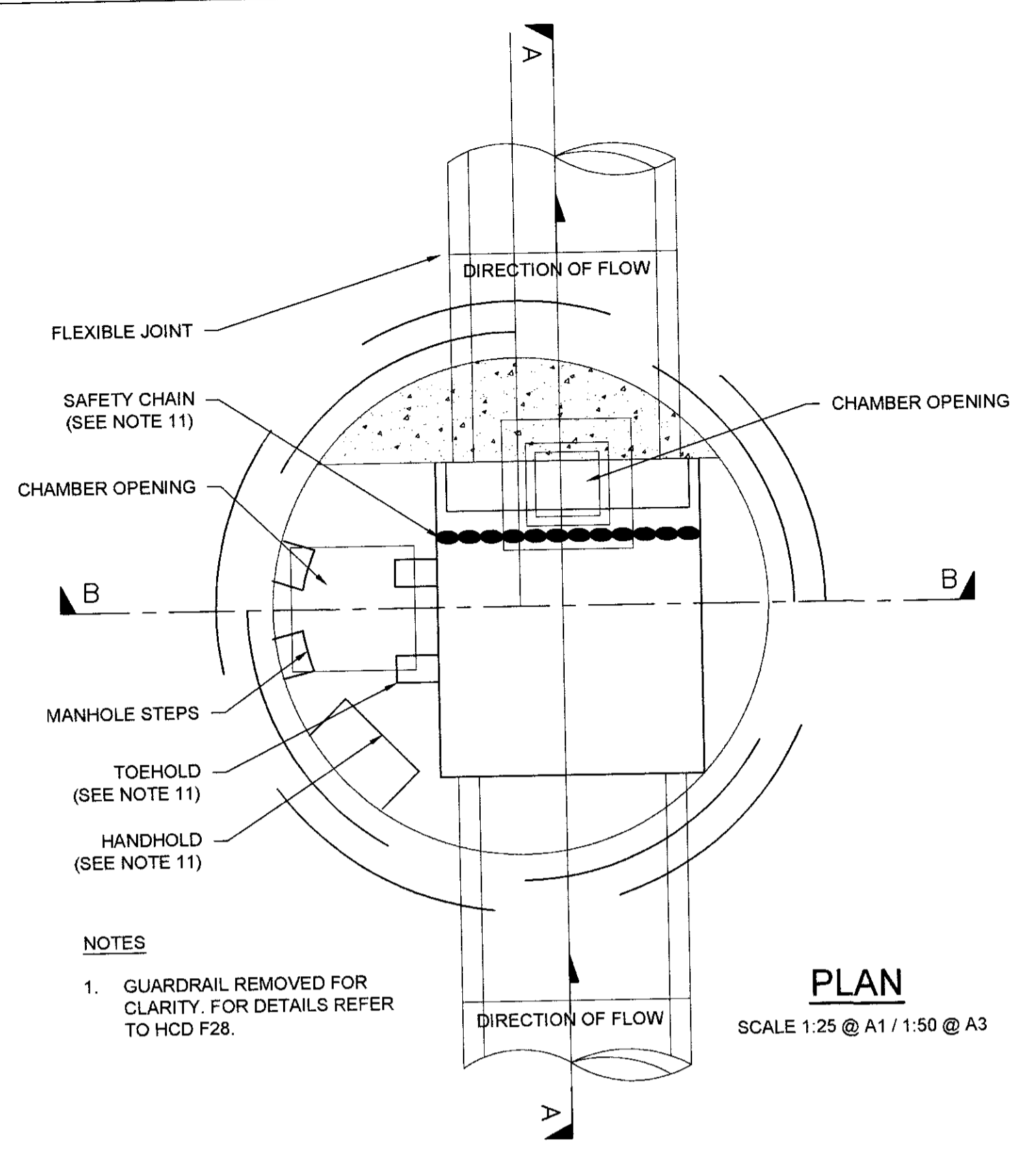
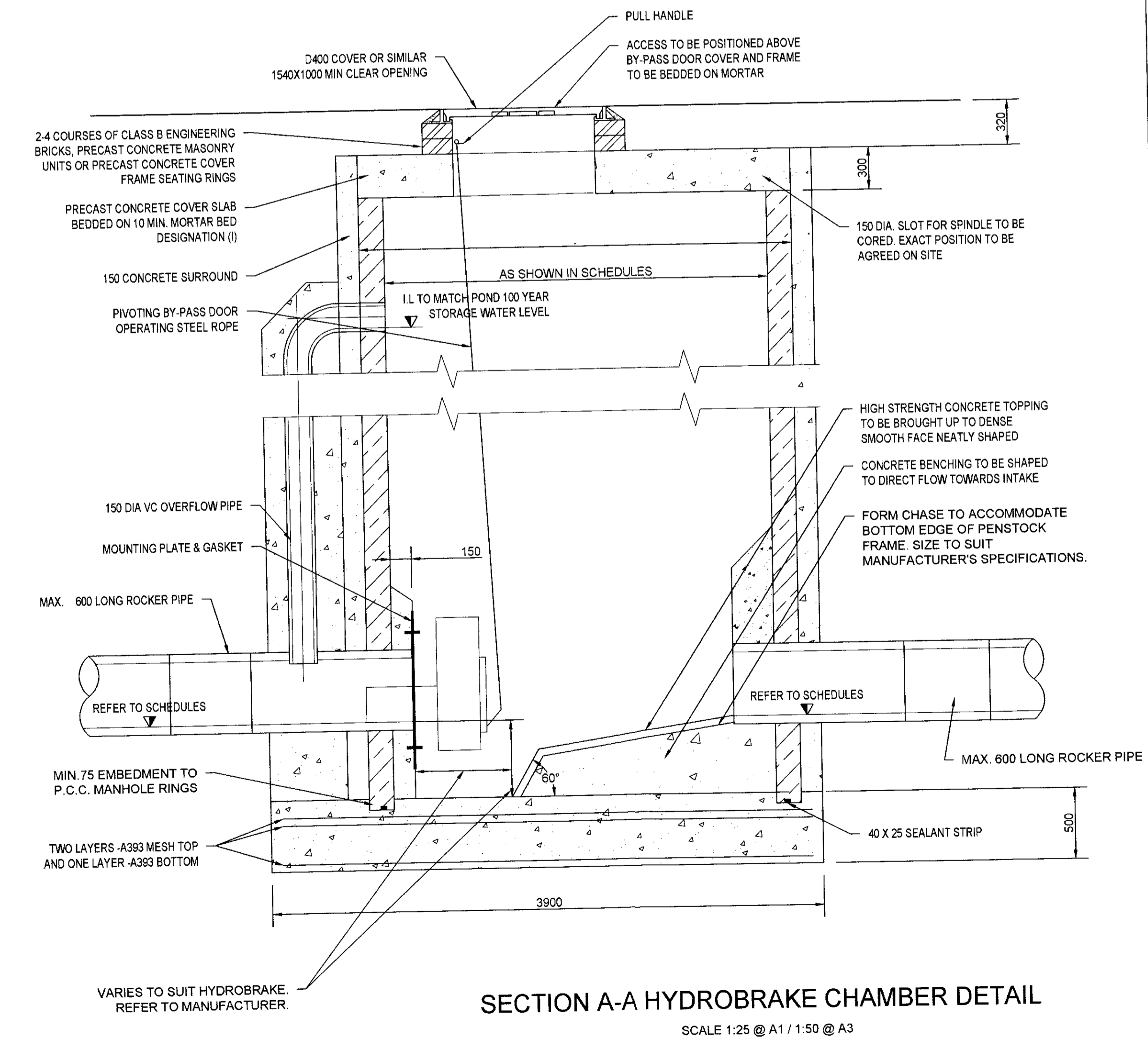
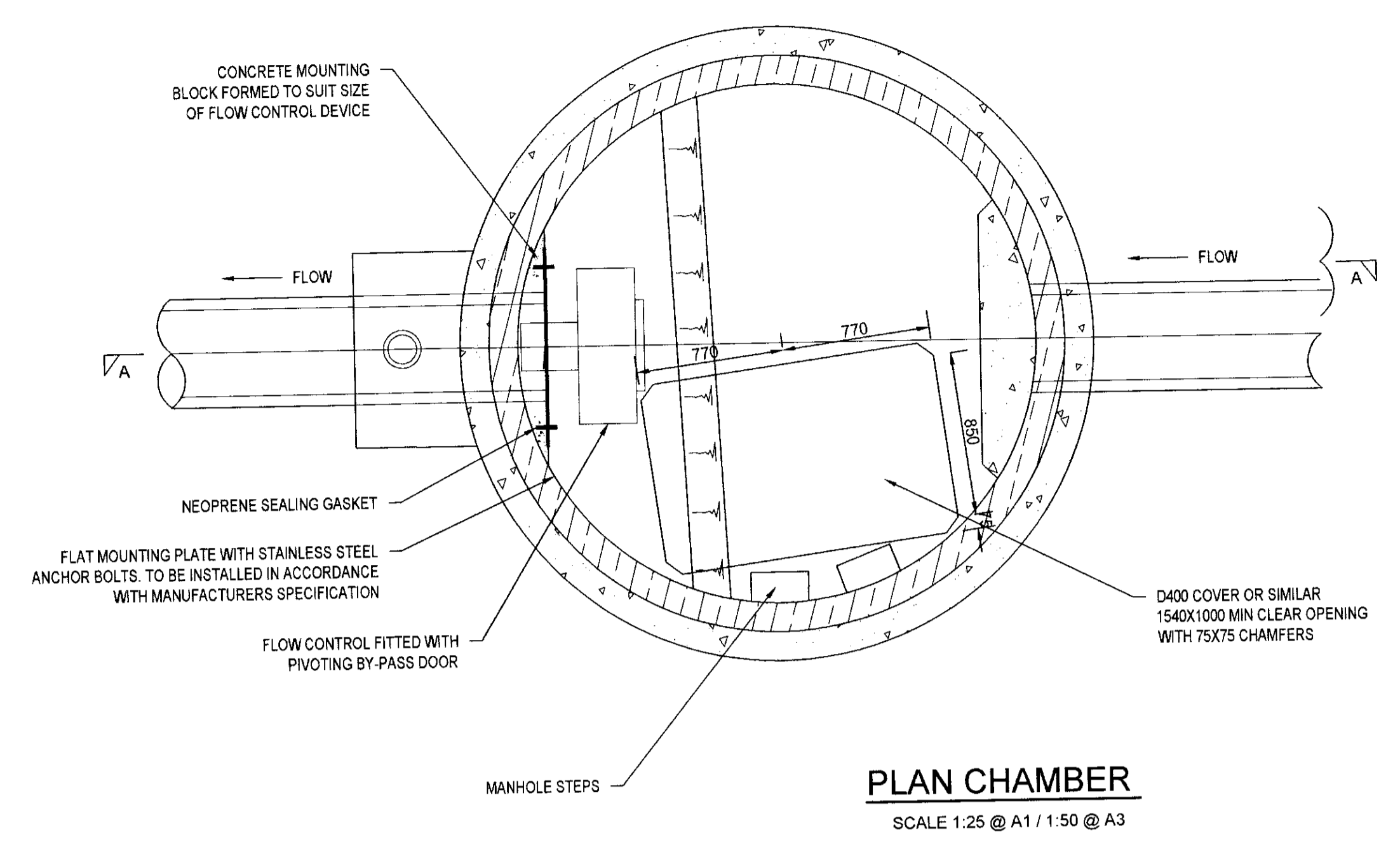
**Llywodraeth Cymru  
 Welsh Government**

**CONSULTANT**  
 AECOM  
 1 CALLAGHAN SQUARE  
 CARDIFF  
 CF10 5BT  
 TEL: (029) 20674600  
 FAX: (029) 20674699

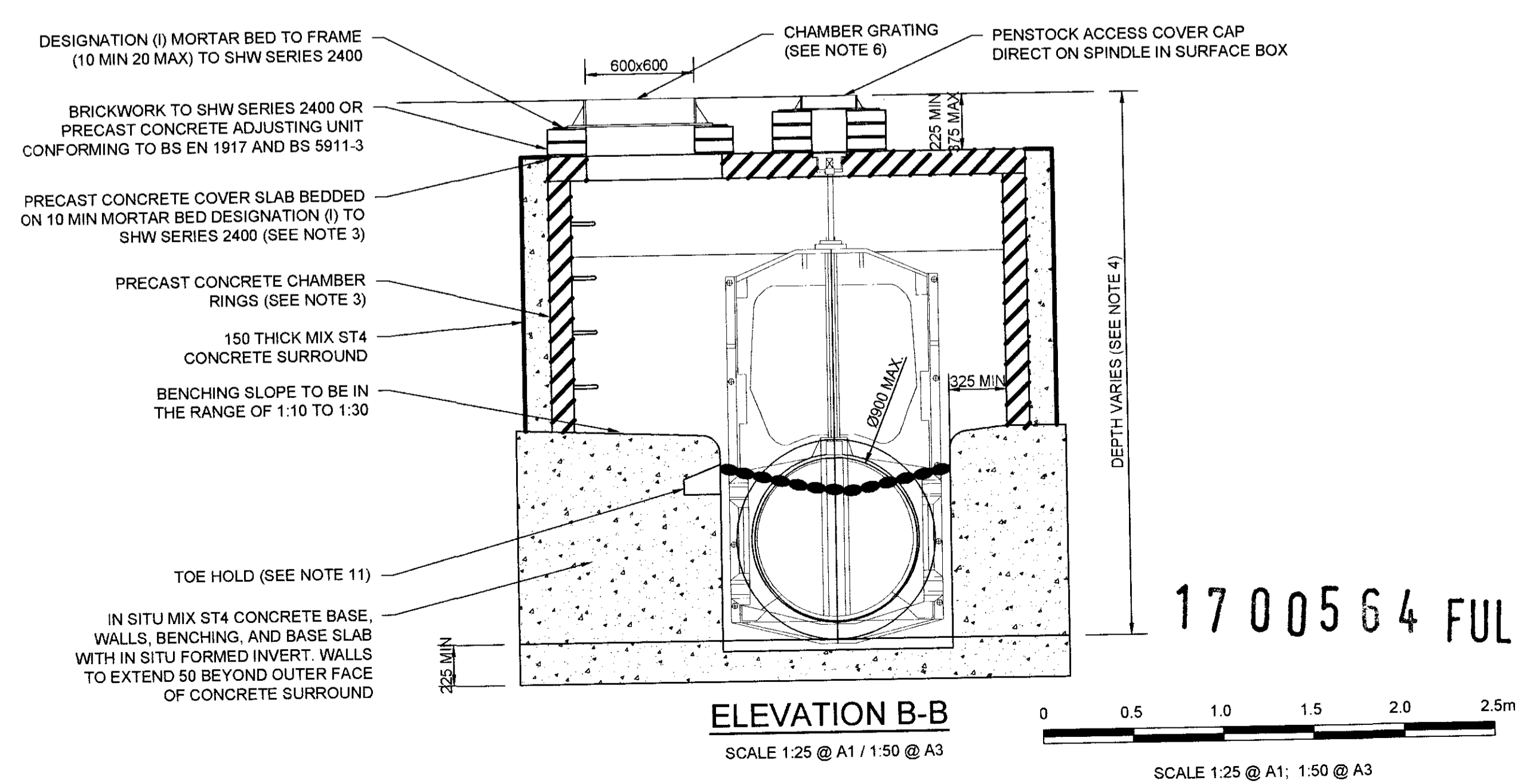
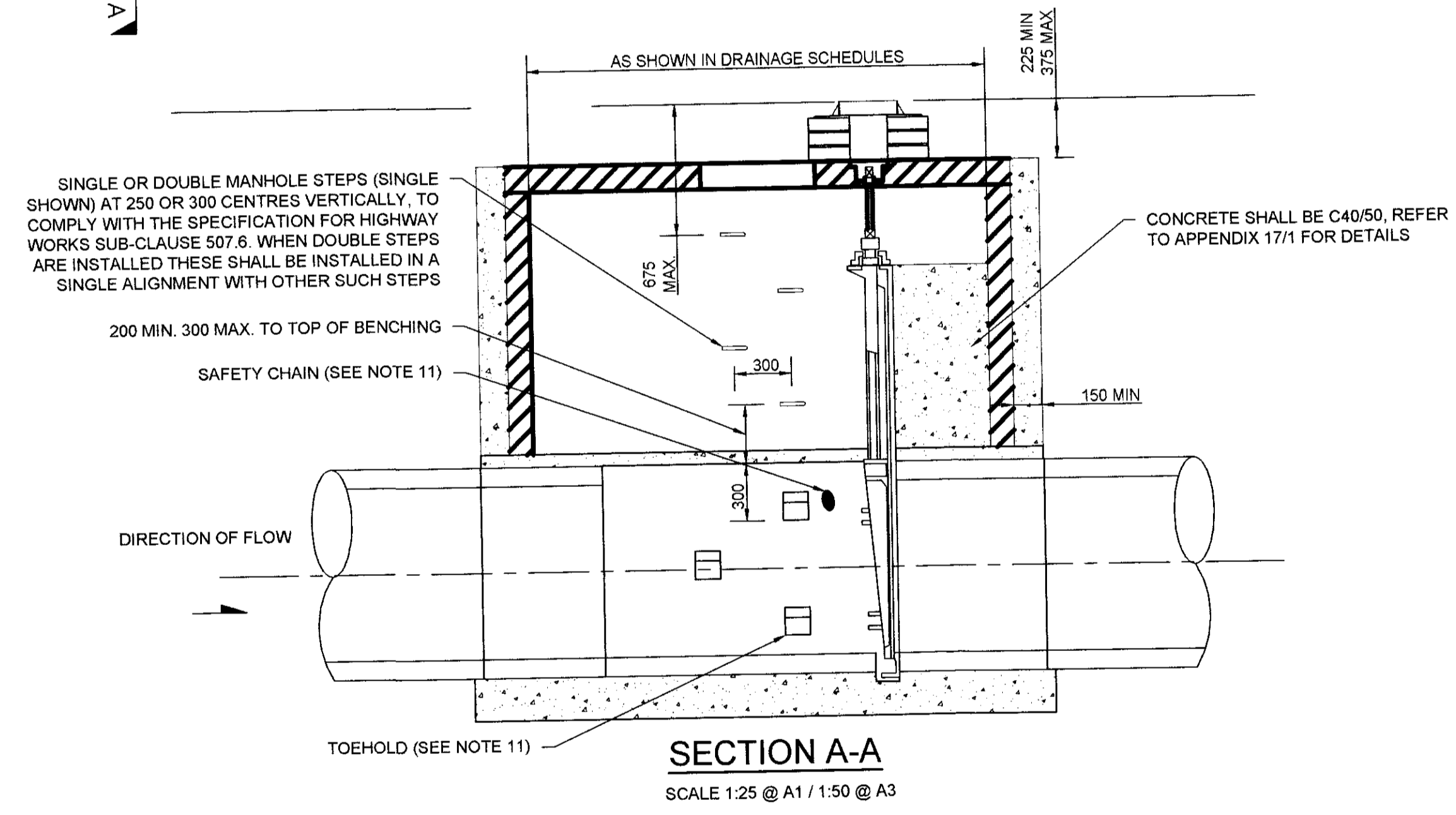
**NOTES:**  
 1. ALL DIMENSIONS ARE IN MILLIMETRES UNLESS STATED OTHERWISE  
 2. DO NOT SCALE OFF THE DRAWING.  
 3. CHAMBER RINGS AND COVER SLAB TO BE CONSTRUCTED IN PRECAST CONCRETE TO BS EN 1917 AND BS 5911-3.

150 A1 89mm x 64mm  
 Project Management Initials: Designer: MH Checked: AT Approved: RM  
 File Name: F:\PROJECTS\HIGHWAYS - ST ATHAN\03 EXECUTION\03 DOCUMENTS\08 CAD\01 Working Drawings\0500 - DRAINAGE\STANDARD DETAILS\SHEET 4.DWG  
 Last saved by: TAYLOR/D12  
 Last Printed: 2017/03/21

The copyright in this document (including its electronic form) shall remain vested in the Designer but the Client shall have a licence to copy and use the document for the purpose for which it was provided. The Designer shall not be liable for the use by any person of this document for any purpose other than that for which the same was provided by the Designer. This document shall not be reproduced in whole or in part or relied upon by third parties for any use whatsoever without the express written authority of the Designer.



**NOTES**  
 1. GUARDRAIL REMOVED FOR CLARITY. FOR DETAILS REFER TO HCD F28.



RECEIVED  
 - 7 JUN 2017  
 Regeneration  
 and Planning

**STATUS**

FOR INFORMATION

**ISSUE/REVISION**

NO.	DATE	DESCRIPTION
A	20-03-2017	FOR PLANNING
IR		

**KEY PLAN**

**PROJECT NUMBER**  
 60509148

**SHEET TITLE**  
 ST ATHAN  
 DRAINAGE TYPICAL DETAILS  
 SHEET 4 OF 8

**SHEET NUMBER**  
 60509148-SHT-30-0000-CT-0524

1700564 FUL

