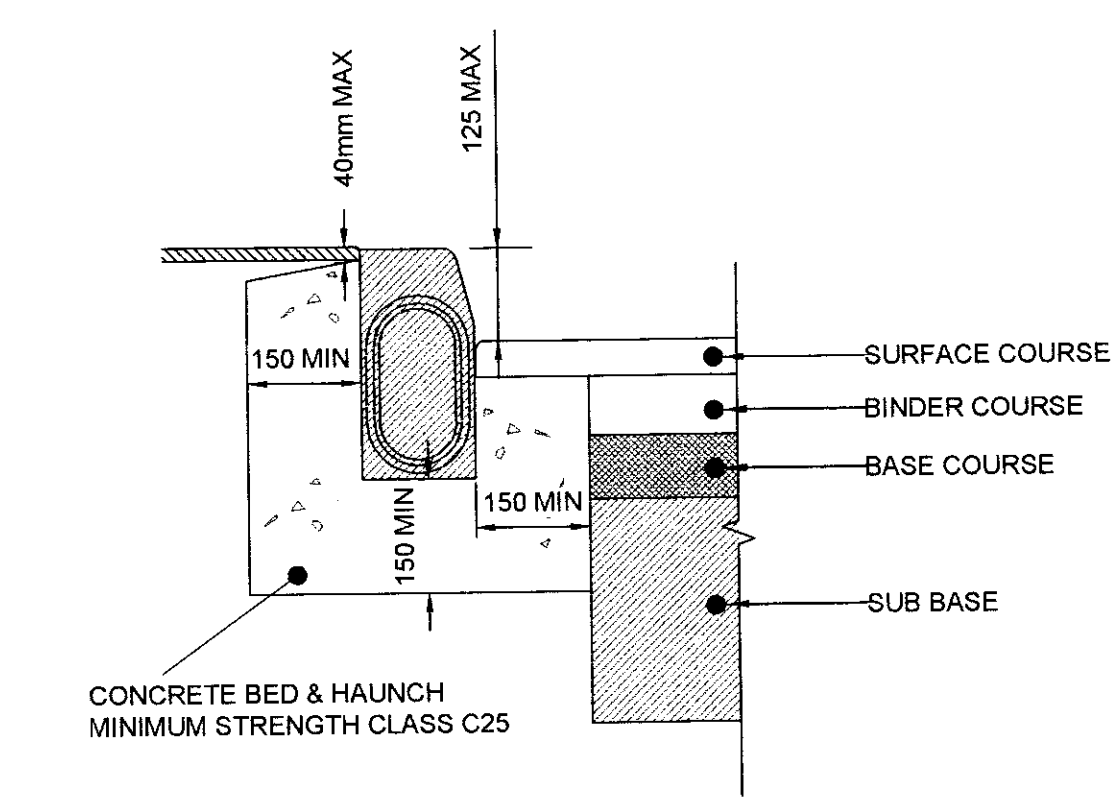
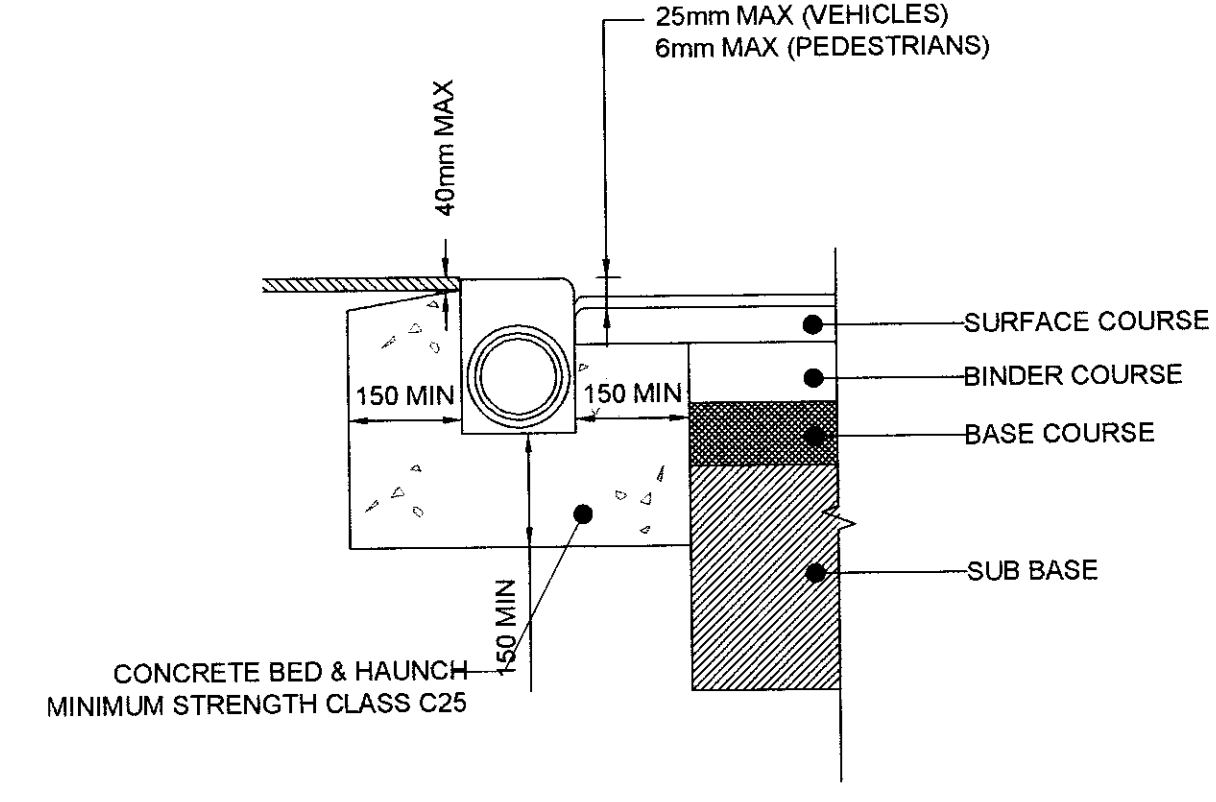


Project Management Initials: Designer: MH Checked: AT Approver: RM  
 Date: 2017-03-21  
 Last saved by: TAYLOR D12  
 Last Plot Date: 2017-03-21

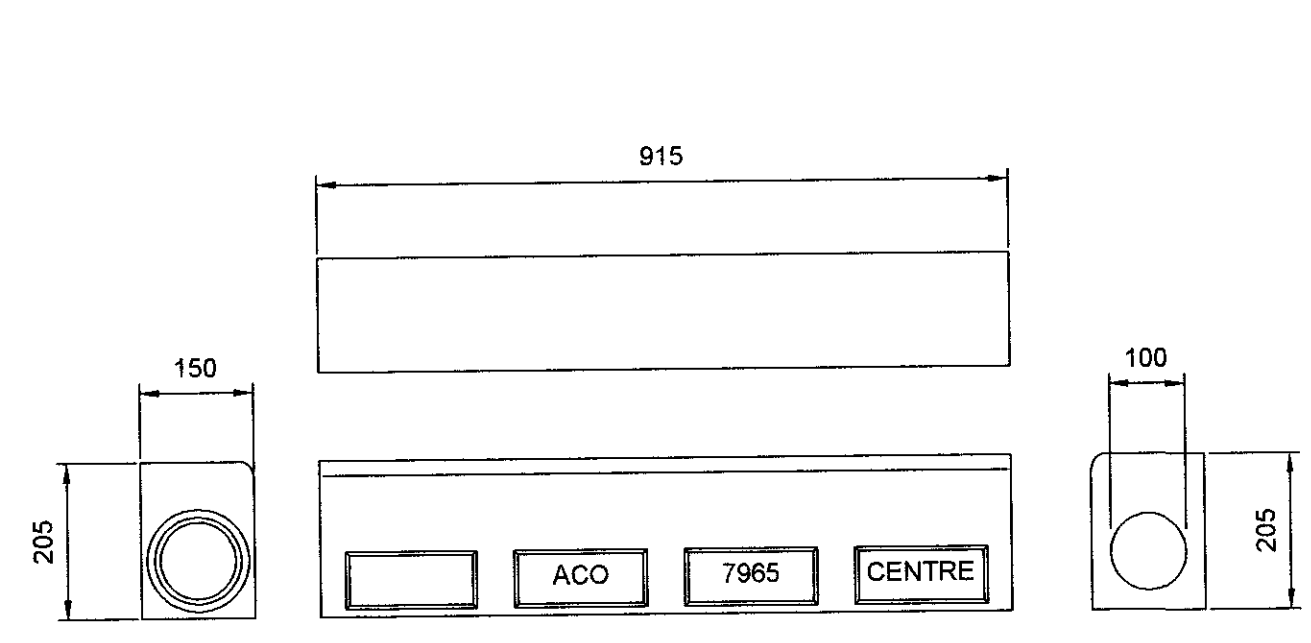
The copyright in this document (including its electronic form) shall remain vested in the Designer but the Client shall have a license to copy and use the document for the purpose for which it was provided. The Designer shall not be liable for the use by any person of this document for any purpose other than that for which the same was provided by the Designer. This document shall not be reproduced in whole or in part or relied upon by third parties for any use whatsoever without the express written authority of the Designer.



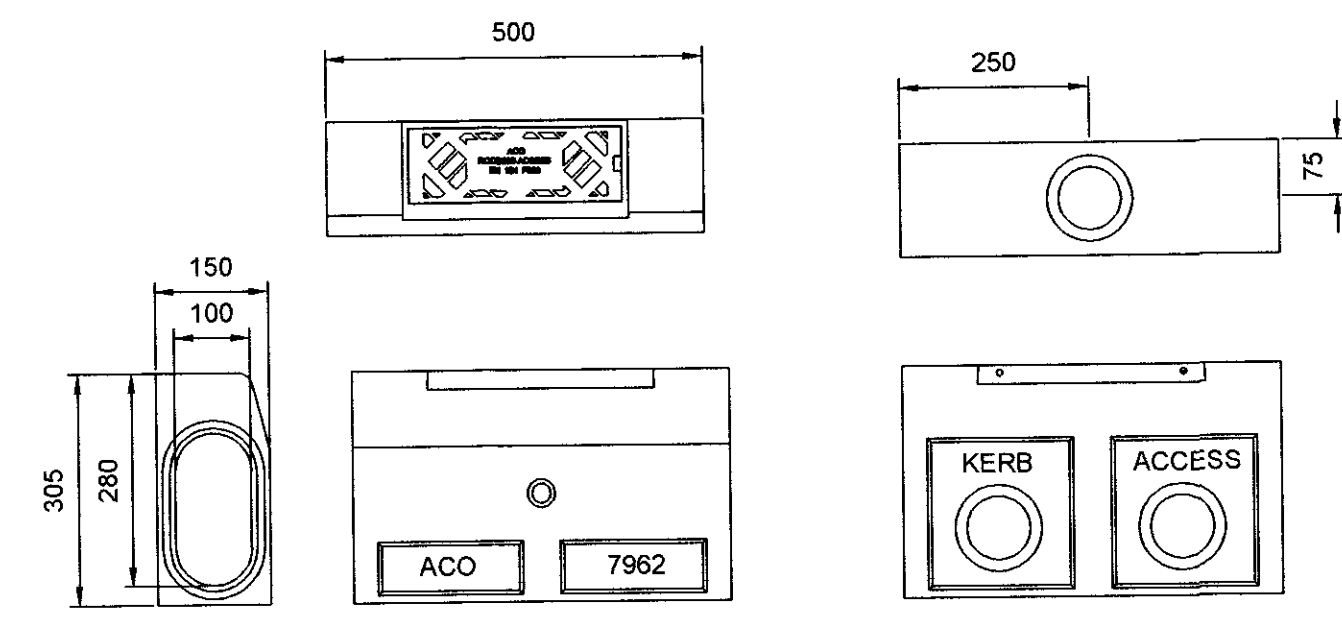
**TYPICAL KERBDRAIN 305 INSTALLATION SECTION - URBAN CARRIAGEWAY**  
SCALE 1:10 @A1; 1:20 @A3



**TYPICAL KERBDRAIN 305 CENTRE STONE INSTALLATION SECTION - URBAN CARRIAGEWAY**  
SCALE 1:10 @A1; 1:20 @A3



**ACO KERBDRAIN HB305 CENTRE STONE**  
SCALE 1:10 @A1; 1:20 @A3



**ACO KERBDRAIN HB305 ACCESS UNIT**  
SCALE 1:10 @A1; 1:20 @A3

**AECOM**

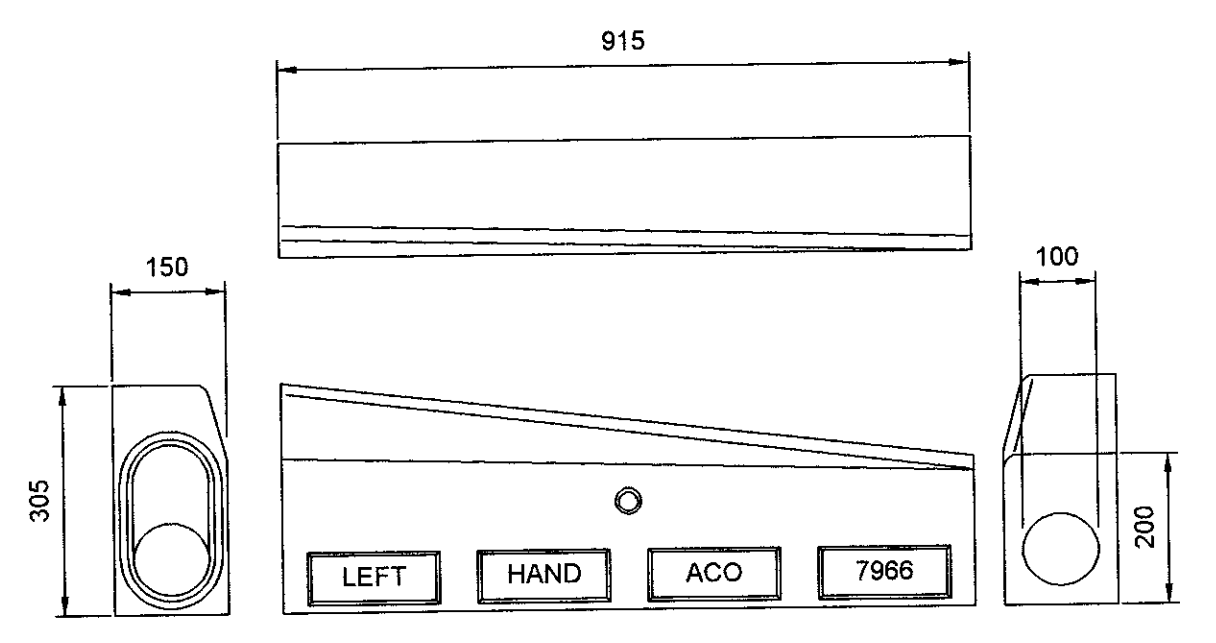
PROJECT  
**ST. ATHAN NORTHERN ACCESS ROAD**

CLIENT  
WELSH GOVERNMENT

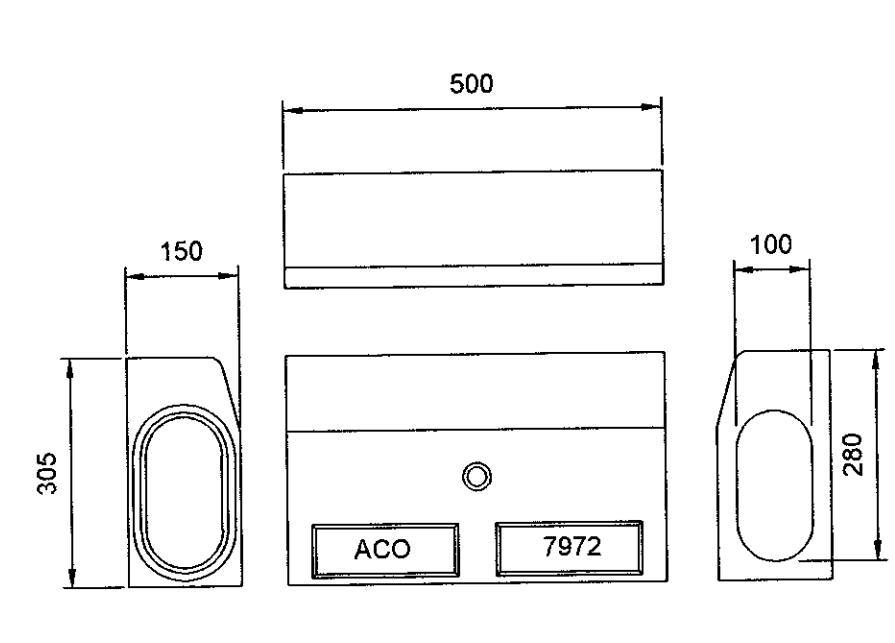
Llywodraeth Cymru  
Welsh Government

CONSULTANT  
AECOM  
1 CALLAGHAN SQUARE  
CARDIFF  
CF10 5BT  
TEL: (029) 20674600  
FAX: (029) 20674699

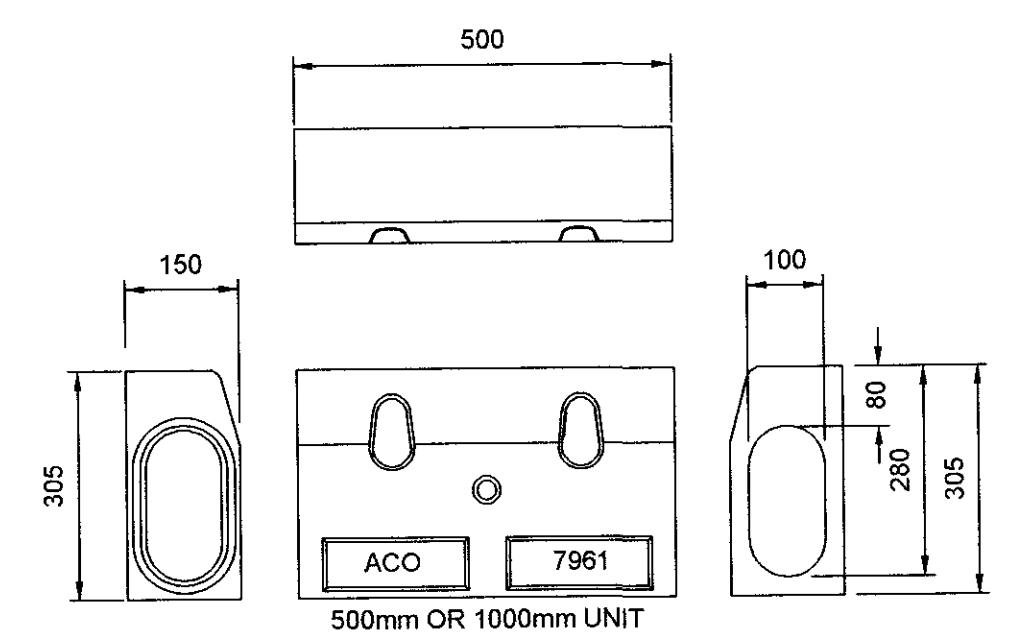
- NOTES:
- THIS DRAWING IS TO BE READ IN CONJUNCTION WITH ALL OTHER RELEVANT DRAWINGS. ANY DISCREPANCIES, ERRORS OR OMISSIONS TO BE BROUGHT TO THE ATTENTION OF MPT.
  - DO NOT SCALE FROM THIS DRAWING.
  - ALL DIMENSIONS IN MILLIMETRES UNLESS OTHERWISE STATED



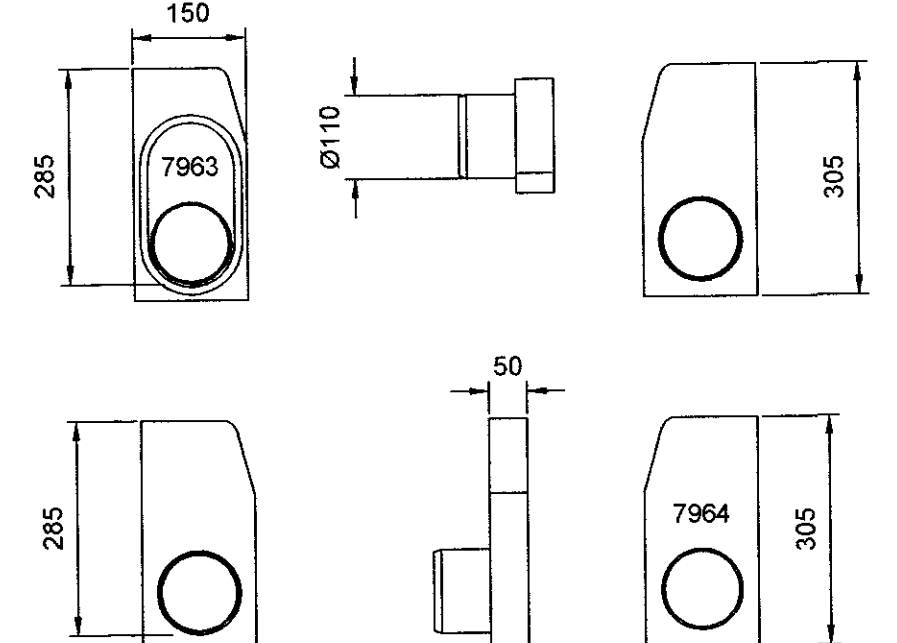
**ACO KERBDRAIN HB305 LH DROPPER (NOTE RH DROPPER IS MIRROR IMAGE OF LH DROPPER)**  
SCALE 1:10 @A1; 1:20 @A3



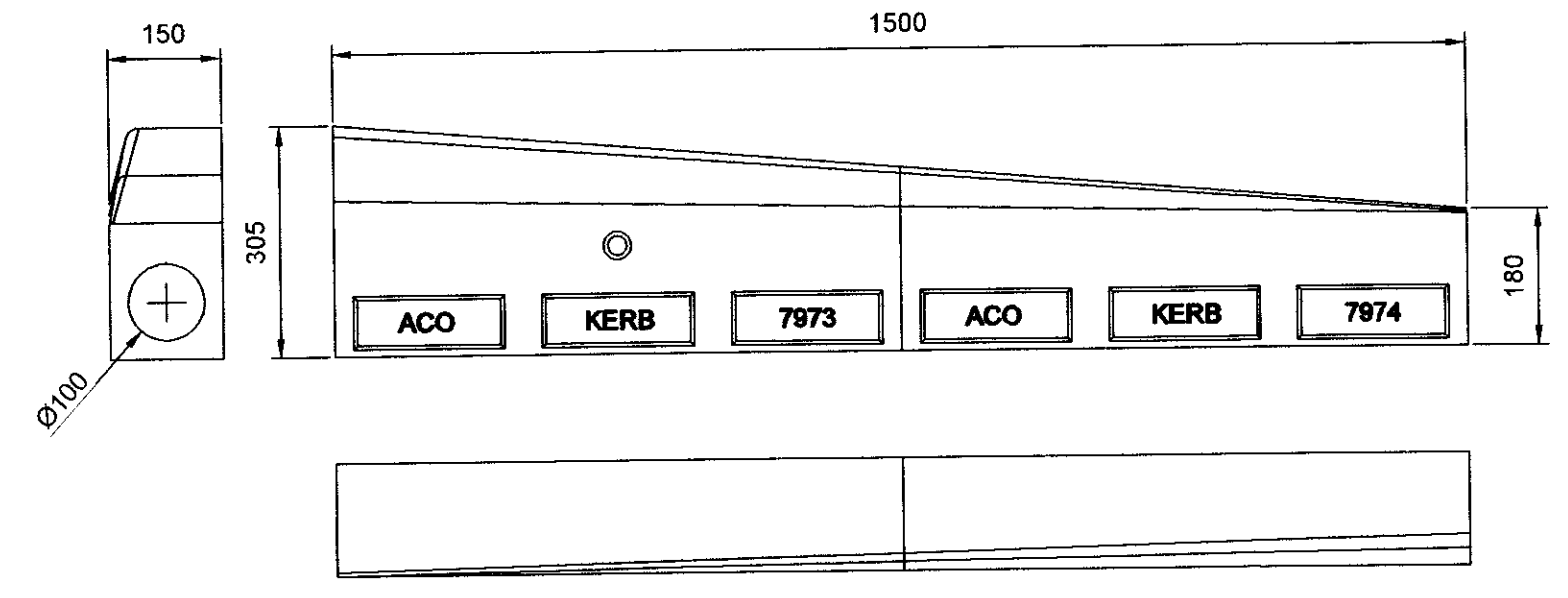
**ACO KERBDRAIN HB305 BLIND UNIT**  
SCALE 1:10 @A1; 1:20 @A3



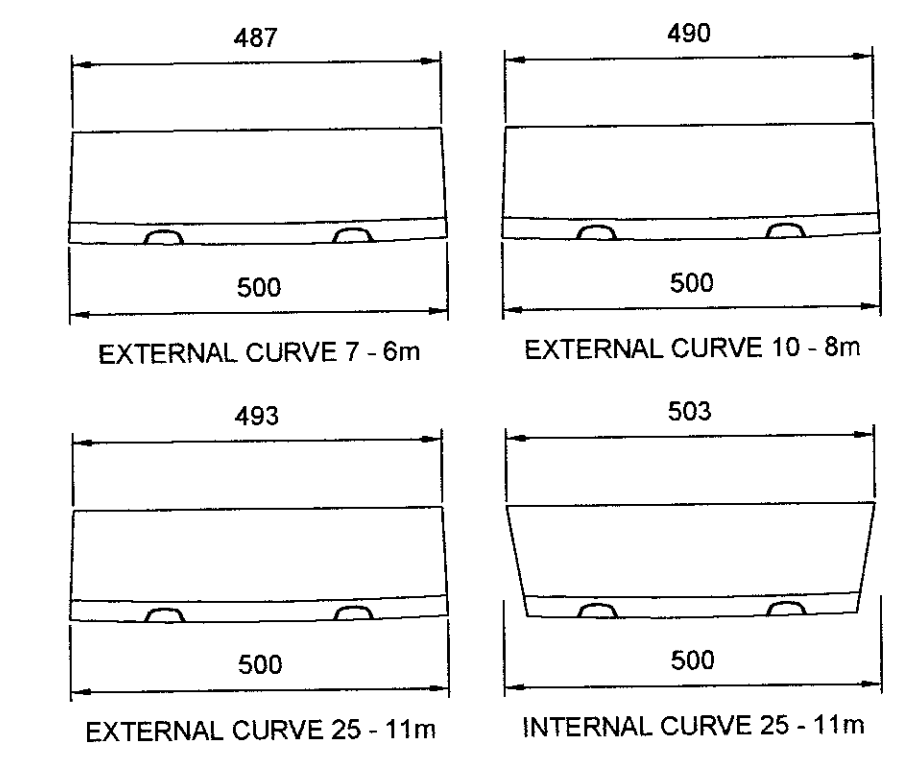
**ACO KERBDRAIN HB305 KERB UNIT**  
SCALE 1:10 @A1; 1:20 @A3



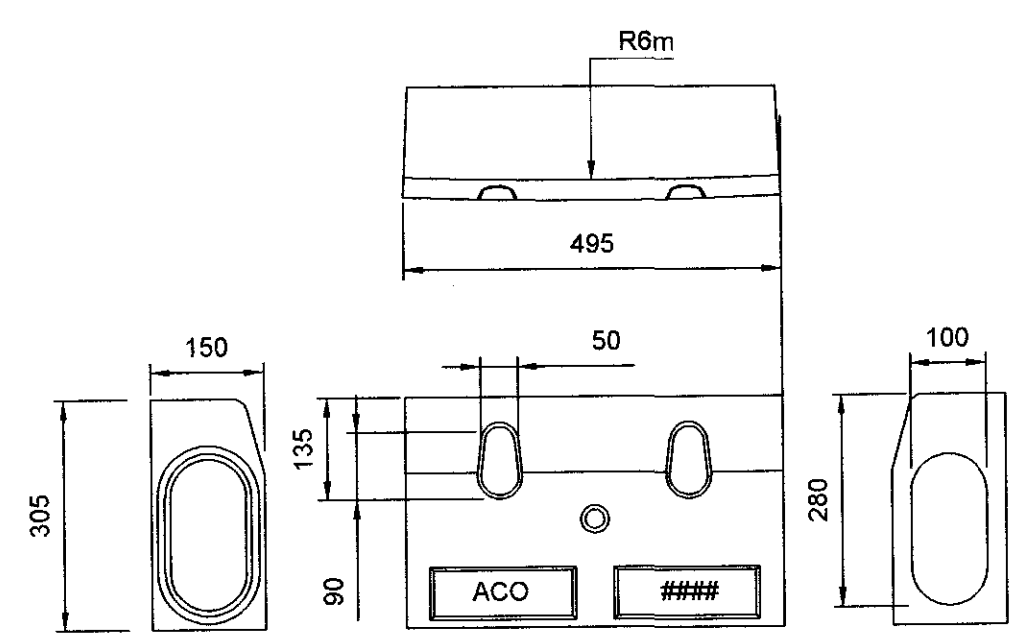
**ACO KERBDRAIN HB305 INLET OUTLET ENDCAP**  
SCALE 1:10 @A1; 1:20 @A3



**ACO KERBDRAIN HB305 CS LH DROPPER (NOTE RH DROPPER IS MIRROR IMAGE OF LH DROPPER)**  
SCALE 1:10 @A1; 1:20 @A3



**ACO KERBDRAIN HB305 MITRE UNITS (EXTERNAL AND INTERNAL)**  
SCALE 1:10 @A1; 1:20 @A3

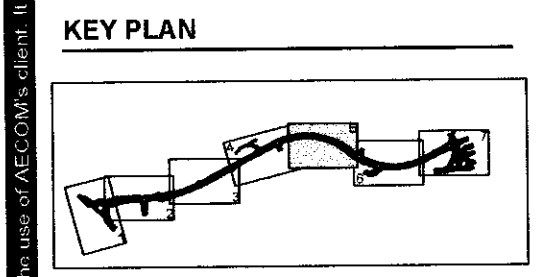


**ACO KERBDRAIN HB305 6m EXTERNAL RADIUS**  
SCALE 1:10 @A1; 1:20 @A3

RECEIVED  
- 7 JUN 2017  
Regeneration and Planning

STATUS FOR INFORMATION

ISSUE/REVISION	DATE	DESCRIPTION
A	20-03-2017	FOR PLANNING
M1		



PROJECT NUMBER  
60509148

SHEET TITLE  
ST ATHAN DRAINAGE TYPICAL DETAILS SHEET 2 OF 8

SHEET NUMBER  
60509148-SHT-30-0000-CT-0522

