

The copyright in this document (including its electronic form) shall remain vested in the Designer but the Client shall have a licence to copy and use the document for the purpose for which it was provided. The Designer shall not be liable for the use by any person of this document for any purpose other than that for which the same was provided by the Designer. This document shall not be reproduced in whole or in part or relied upon by third parties for any use whatsoever without the express written authority of the Designer.



PROJECT
ST. ATHAN
NORTHERN
ACCESS
ROAD

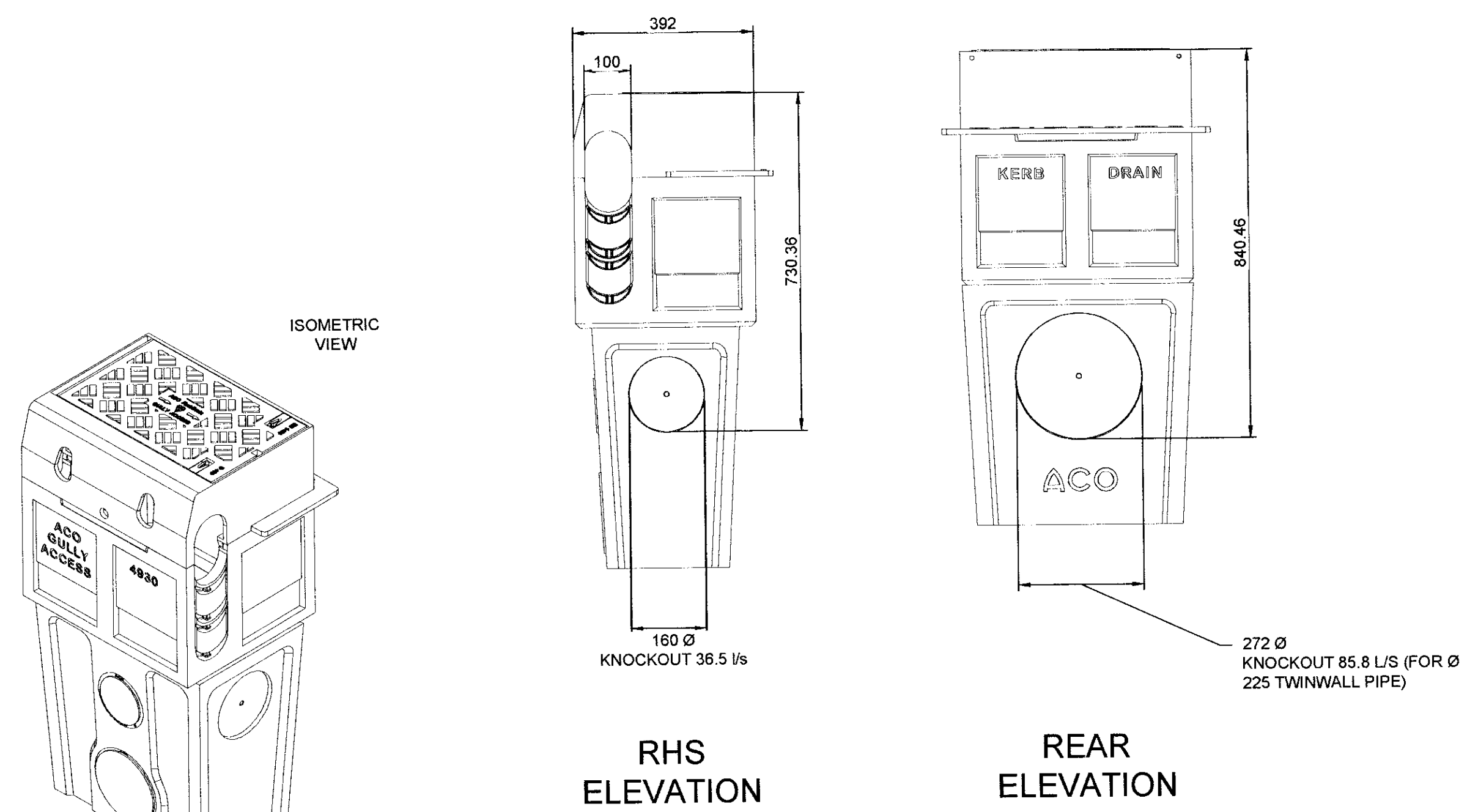
CLIENT
WELSH GOVERNMENT



**Llywodraeth Cymru
Welsh Government**

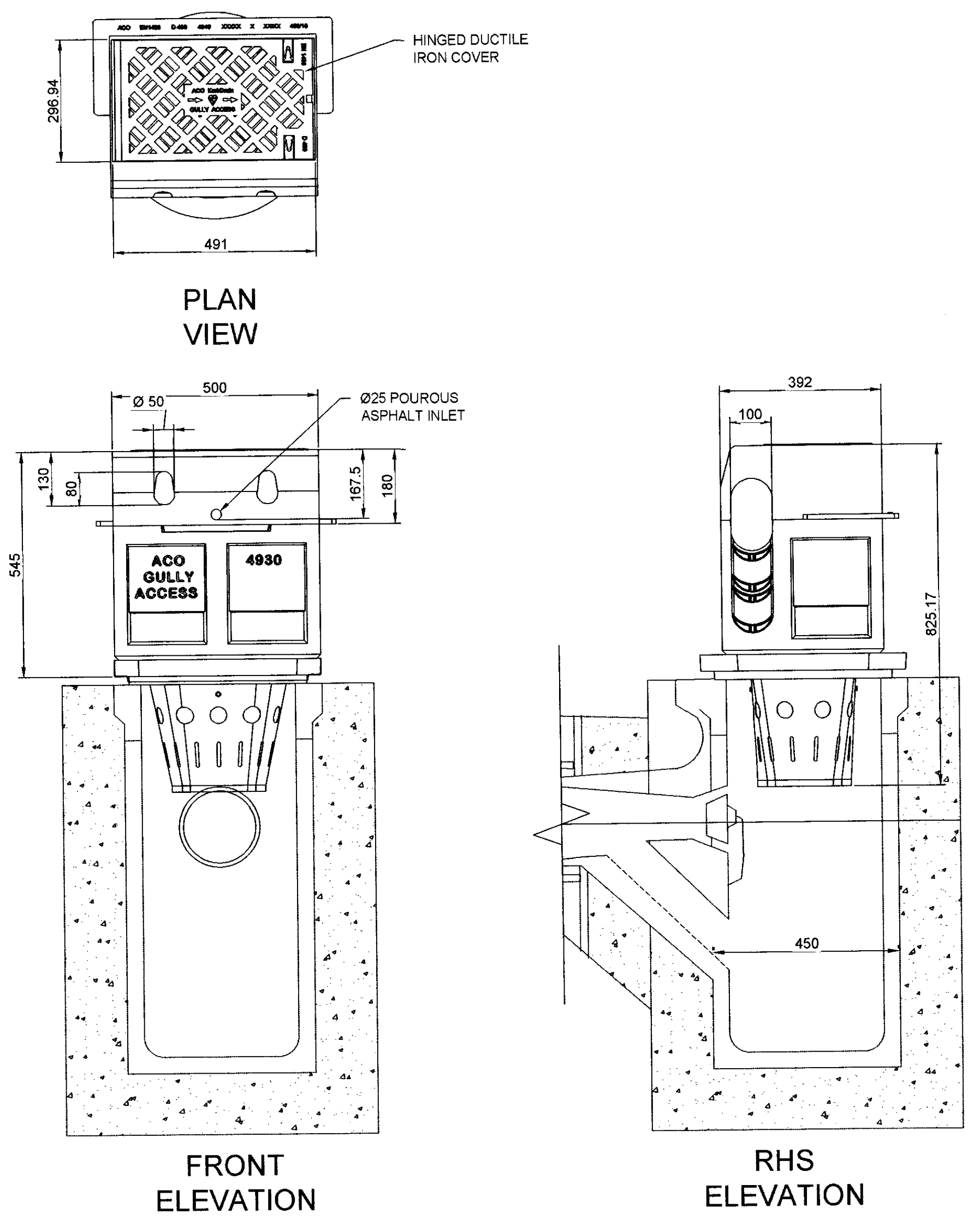
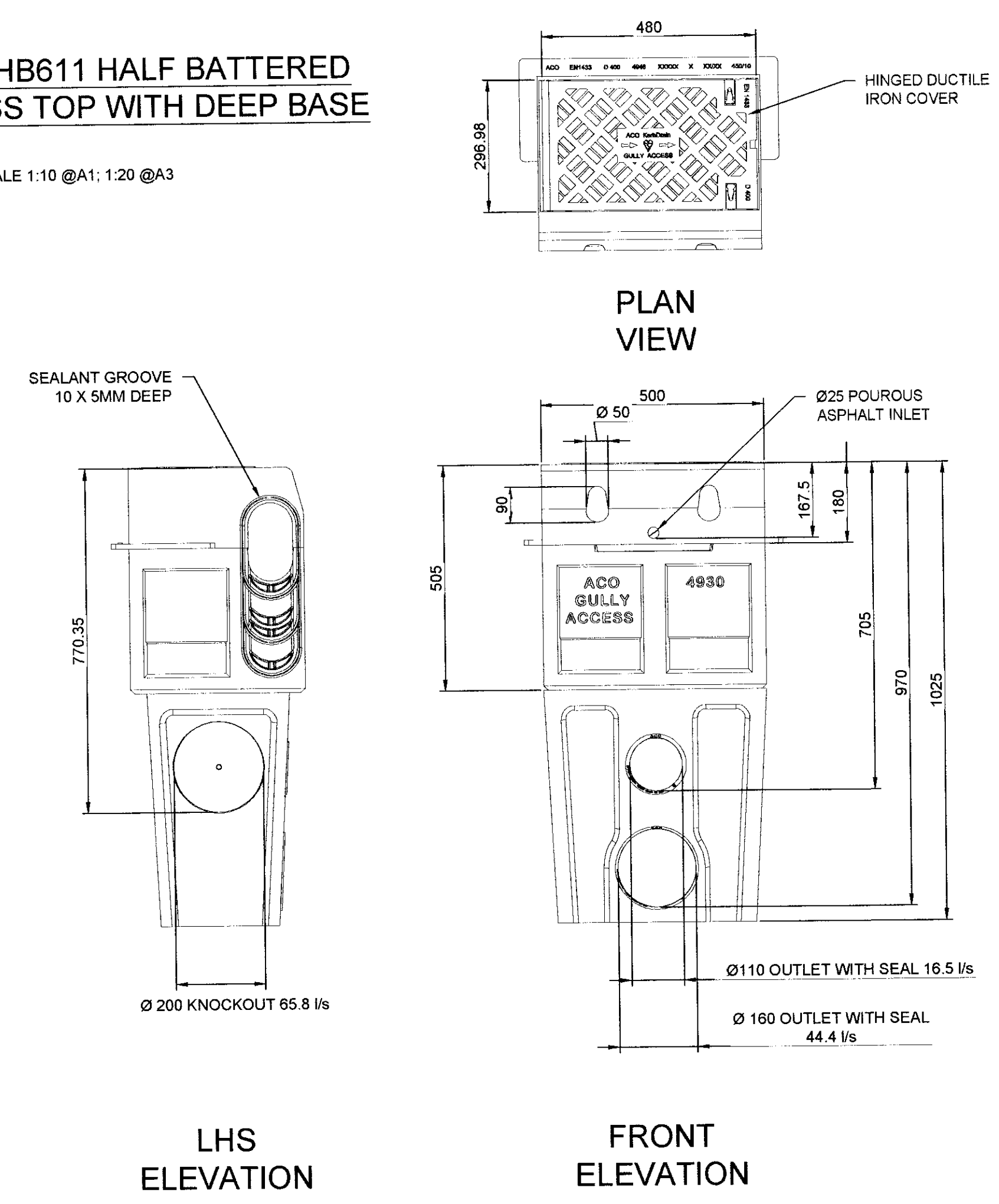
CONSULTANT
AECOM
1 CALLAGHAN SQUARE
CARDIFF
CF10 5BT
TEL: (029) 20674600
FAX: (029) 20674699

- NOTES:**
1. THIS DRAWING IS TO BE READ IN CONJUNCTION WITH ALL OTHER RELEVANT DRAWINGS. ANY DISCREPANCIES, ERRORS OR OMISSIONS TO BE BROUGHT TO THE ATTENTION OF MPT.
 2. DO NOT SCALE FROM THIS DRAWING.
 3. ALL DIMENSIONS IN MILLIMETRES UNLESS OTHERWISE STATED



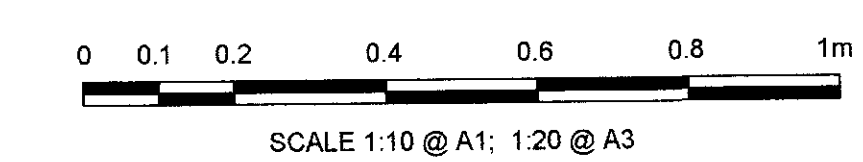
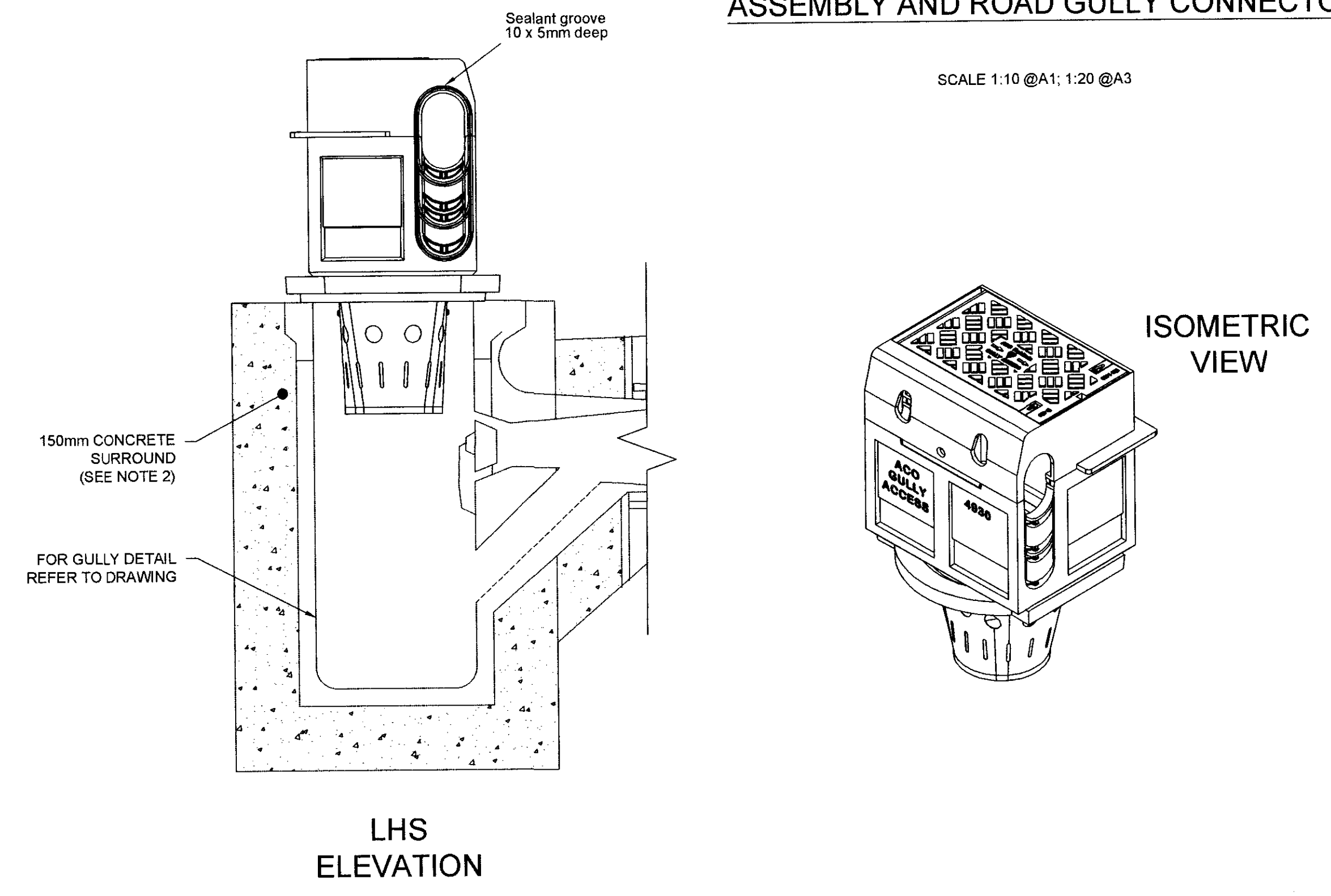
KERBDRAIN HB611 HALF BATTERED GULLY ACCESS TOP WITH DEEP BASE

SCALE 1:10 @A1; 1:20 @A3



KERBDRAIN HB615 HALF BATTERED TOP ASSEMBLY AND ROAD GULLY CONNECTOR

SCALE 1:10 @A1; 1:20 @A3



RECEIVED
- 7 JUN 2017
Regeneration
and Planning

17 005 64 FUL

STATUS

FOR INFORMATION

ISSUE/REVISION

IR	DATE	DESCRIPTION
A	20-03-2017	FOR PLANNING

PROJECT NUMBER
60509148

SHEET TITLE
ST.ATHAN
DRAINAGE TYPICAL DETAILS
SHEET 1 OF 8

SHEET NUMBER
60509148-SHT-30-0000-CT-0521

File name: P:\PROJECTS\HIGHWAYS - ST.ATHAN\03 EXECUTION\03 DOCUMENTS\CAD\01 WORKING DRAWINGS\0500 - DRAINAGE\STANDARD DETAILS\SHEET 1.DWG. Last saved by: TAYLOR/D12. Last Picked: 2017-03-21.