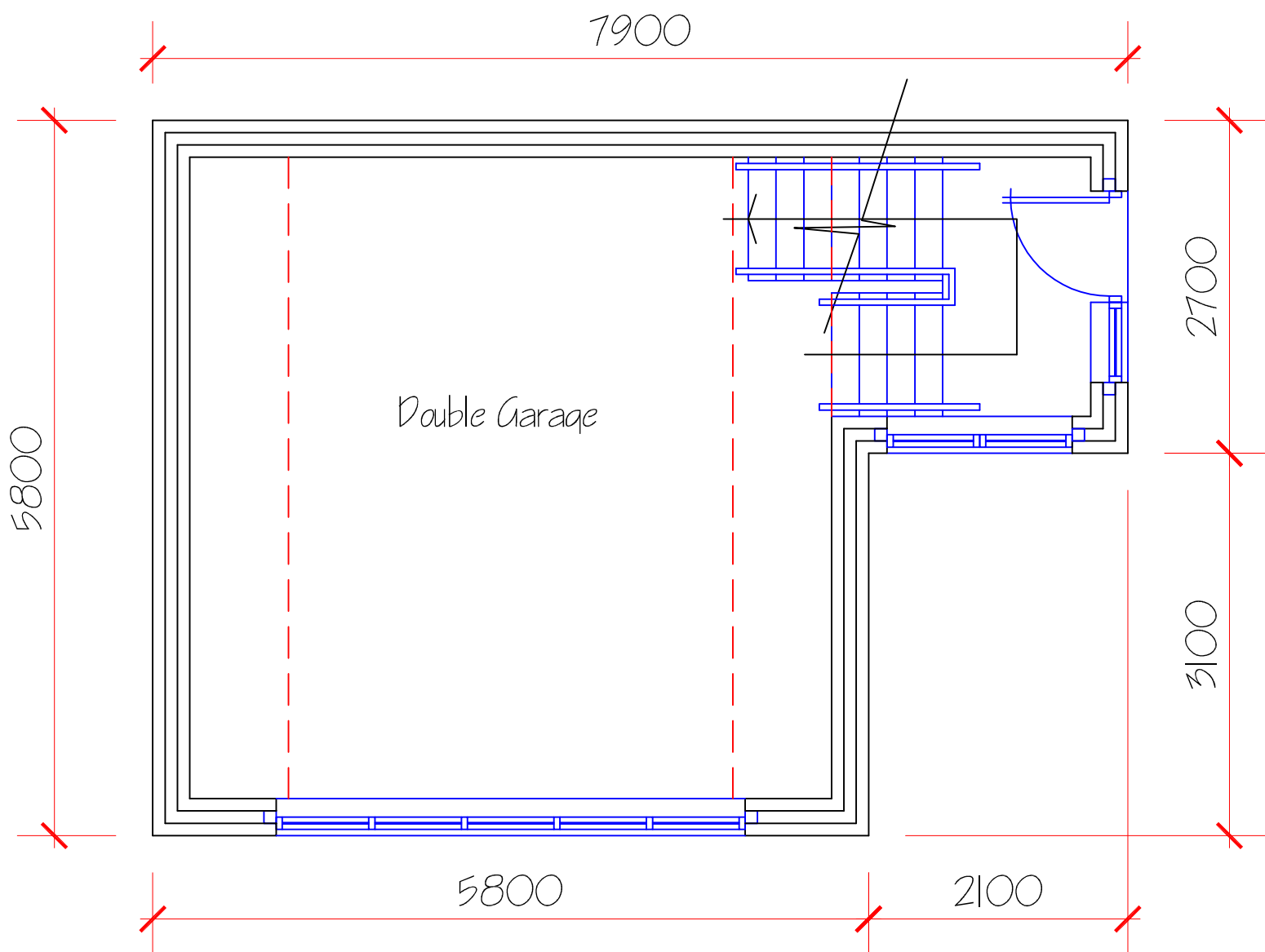
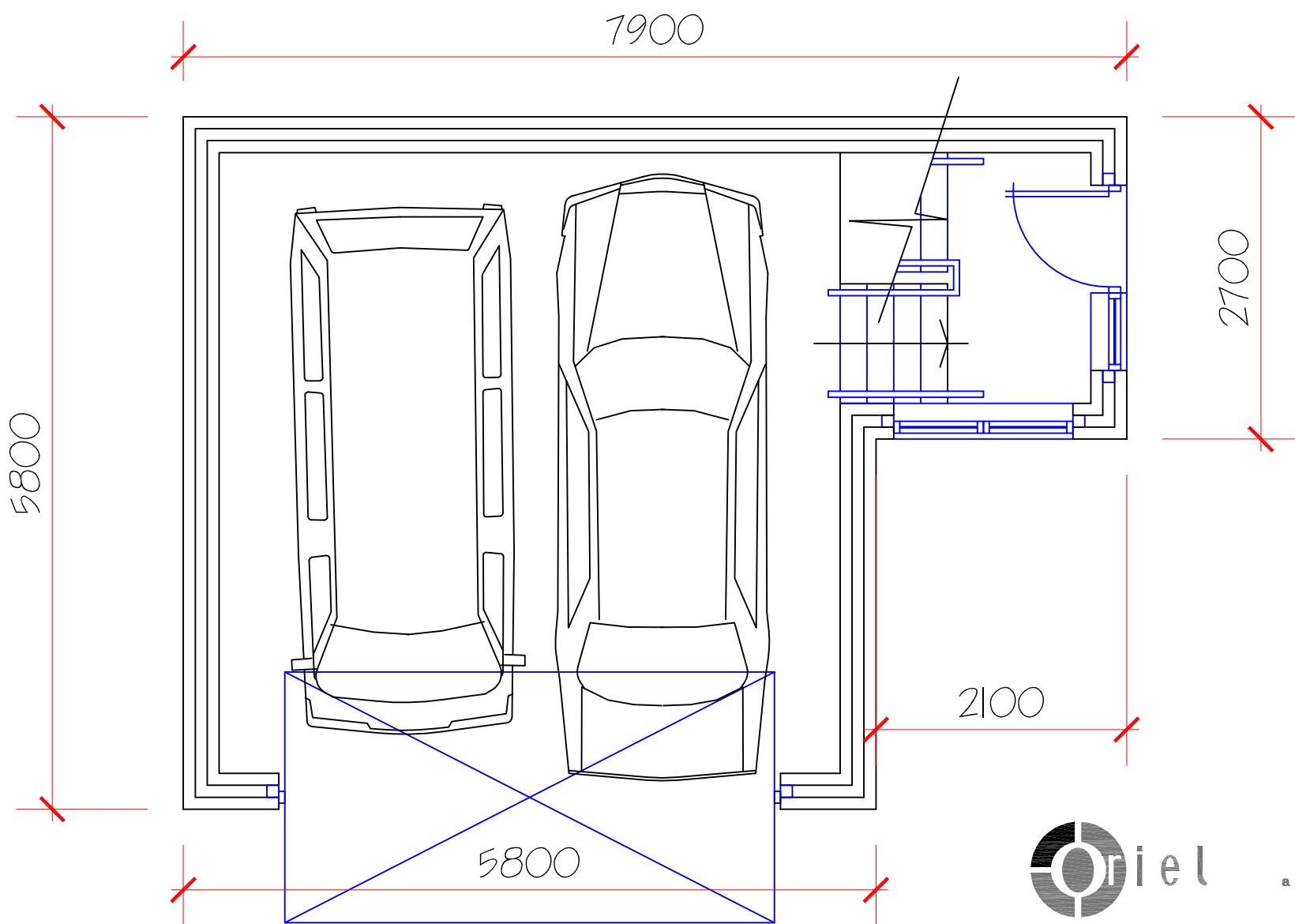


REVISIONS

Rev:



FIRST FLOOR LEVEL STUDIO



GROUND FLOOR LEVEL DOUBLE GARAGE



**ORIEL DESIGN LIMITED**  
 Ty Cefn, Rectory Road, Cardiff, CF5 1QL  
 tel: 029 2038 8663 email: info@orielarchitects.co.uk

**PROPOSED DETACHED GARAGE**  
**WESTRA FACH, DINAS POWYS**  
 for MR & MRS CURRAN

**PROPOSED FLOOR PLANS**

Drg No. 0552/55 Rev: | Scale: 1/50@A3 | Date: Apr 2017

DO NOT SCALE THIS DRAWING IS COPYRIGHT

Chartered Architects Project Managers Revenue Statutory