

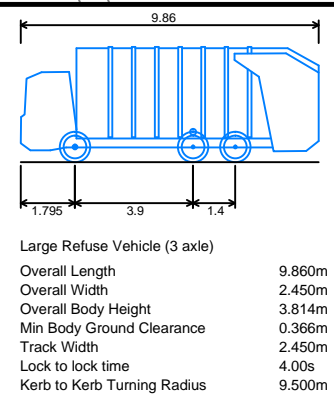


NOTE: THE PROPERTY OF THIS DRAWING AND DESIGN IS VESTED IN VECTOS (SOUTH) LTD.
IT MUST NOT BE COPIED OR REPRODUCED IN ANY WAY WITHOUT THEIR PRIOR WRITTEN CONSENT.

REV.	DETAILS	DRAWN	CHECKED	DATE

Notes:

1. This is not a construction drawing and is intended for illustrative purposes only.
2. White lining is indicative only.



St Nicholas

Swept Path Analysis using a 9.86m Large 3 Axle Refuse Vehicle

DRAWN: HE/CNE	CHECKED: CNE	DATE: 9.8.16	SCALES: 1:500 at A3
---------------	--------------	--------------	---------------------

Redrow Homes

10th Floor, Helmont House, Churchill Way, Cardiff CF10 2HE
t: 02920 720 860 e: enquiries@vectos.co.uk

DRAWING NUMBER: W141341/AT/H01	REVISION: .
--------------------------------	-------------