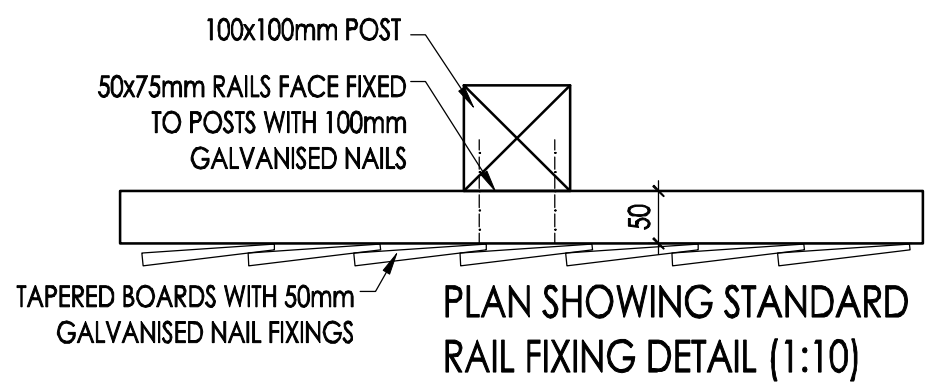


STANDARD SECTION

1. 100x100mm s/w posts with capped tops at 2.7m centres (max).
2. 125x12 mm tapered to 6mm s/w boarding. 50mm galvanised nail fixing.
3. 75x50mm rails fixed to face of posts with 100mm galvanised nails.
4. 450x450x450mm concrete surround to post. Concrete mix C7.5
5. 100mm concrete bed.

NOTE:-
All timbers shall be pressure impregnated with preservative as specified. Finish to be mid brown. All cut ends to be preservative treated prior to fixing.

Timber quality shall be as noted in BS 1722. pt 5 Appendix N.



PLAN SHOWING STANDARD RAIL FIXING DETAIL (1:10)

A 27/01/2016 1.8m post centres changed to 2.7m, drawing title now changed to 'Screen Fencing'

REVISION | DATE | DESCRIPTION

IF YOU REQUIRE COPIES OF PREVIOUS REVISIONS OF THIS DETAIL, PLEASE CONTACT YOUR TECHNICAL DEPARTMENT



Title SCREEN FENCING, 1.8m HIGH, STANDARD EFFECT

ADN - RSD - Scale at A4 1:10, 1:20 Revision A Reference F-SD0906

Notes F SERIES

Published 26.09.2014