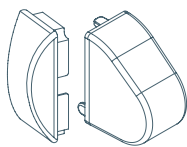
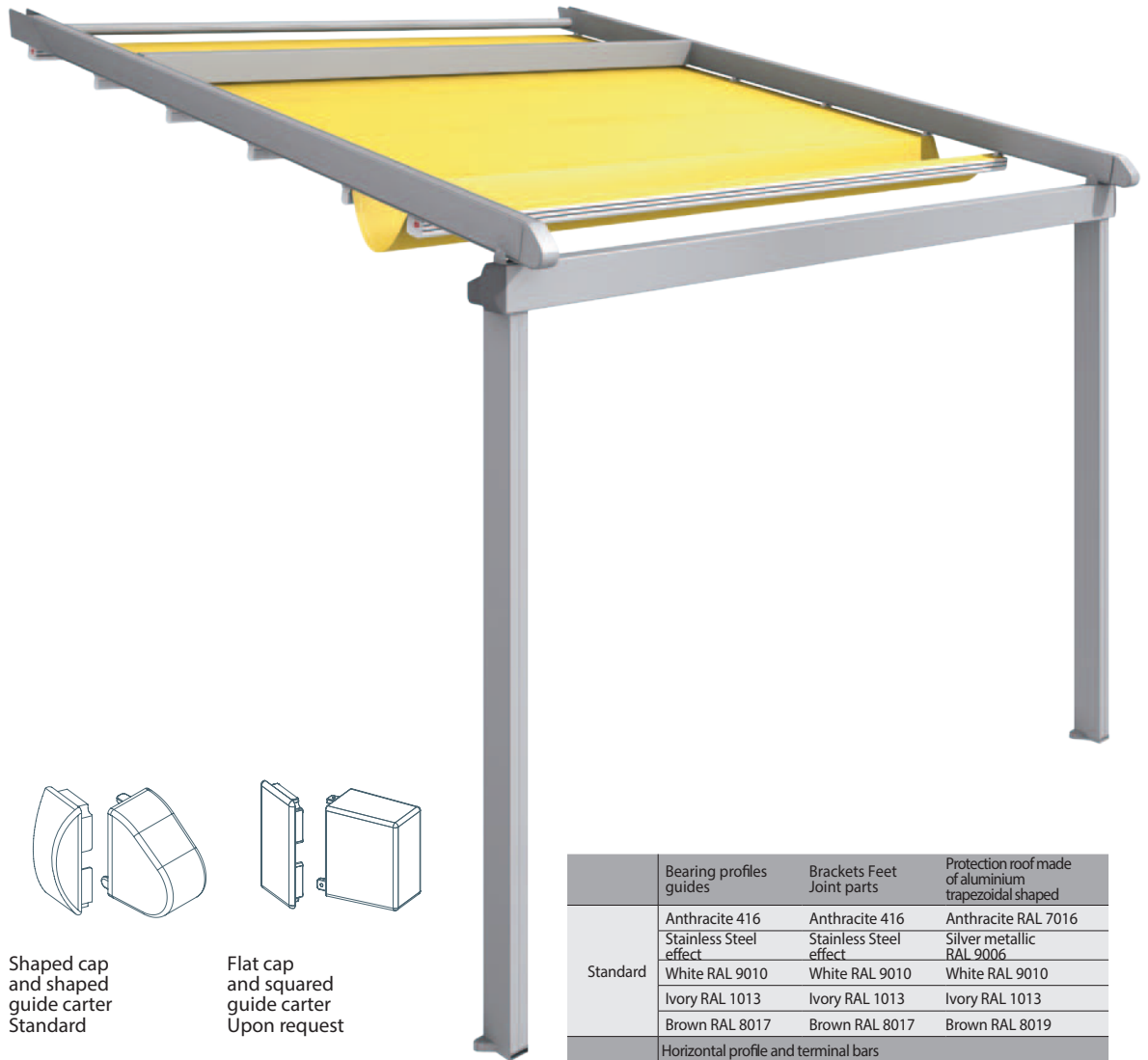


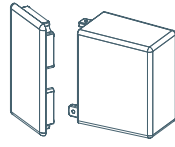


Powder coated load-bearing structure with wall or ceiling mount on one side, and it leans on support profile with posts for ground anchorage. Stainless steel brackets and powder coated aluminium fusions. Fabric pitch awning that slides on 130-mm powder coated aluminium guides supported by 43x65-mm horizontal profiles and 65x85-mm terminal, also in powder coated aluminium. Transmission system on lateral guides and high-resistance toothed belt, rotating on ball bearings. Aluminium fusion carter with belt traction regulation. Nylon sliding carriages with wheels equipped with bearings and stainless steel pins. Horizontal profile coupling with patented "Quick Block" system with aluminium front bayonet. Separate or partially separate cloths to be inserted in the horizontal profile, joined by the patented "Weather Strip" or "Falls" system, which both make the cloth totally waterproof. Patented standard, RTS or IO "Fast Coupling" motorized movement system. With "stretched cloth" the minimum inclination to guarantee water drainage must be 15% (about 8°). The roof is required to collect the folded awning. Standard front gutter to collect water with drain integrated in the posts.

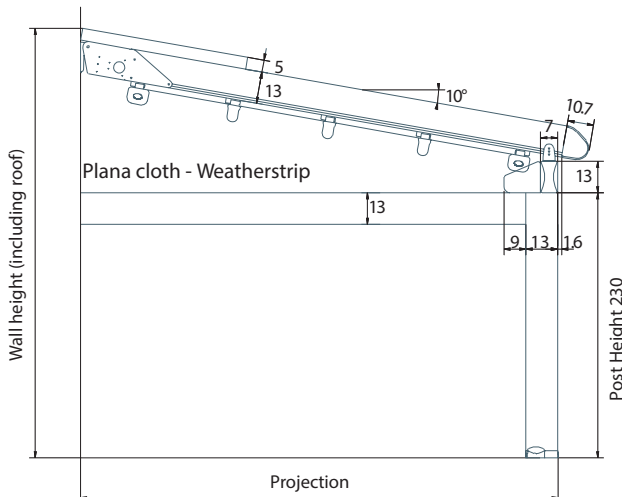
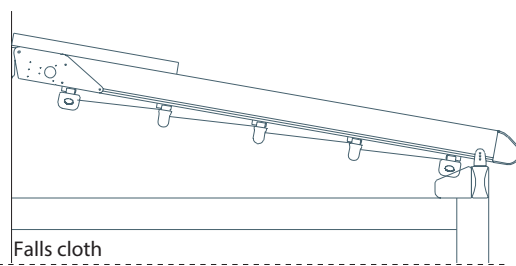
See page 13 to calculate the inclination.



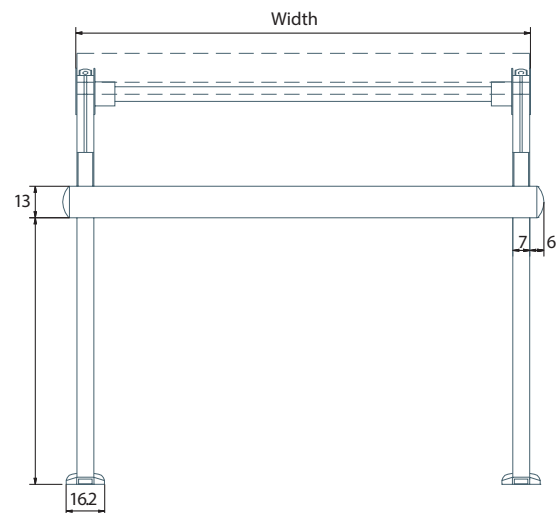
Shaped cap and shaped guide carter
Standard



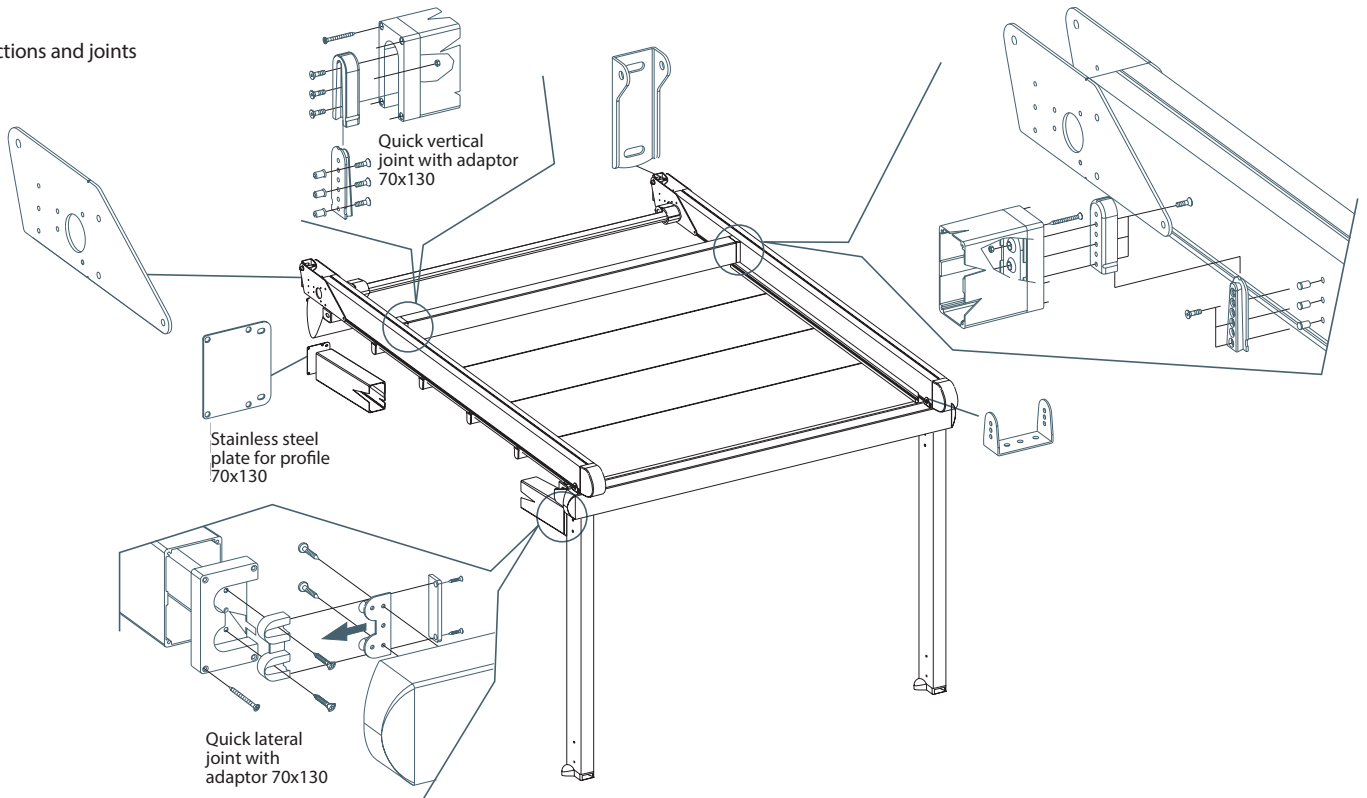
Flat cap and squared guide carter
Upon request



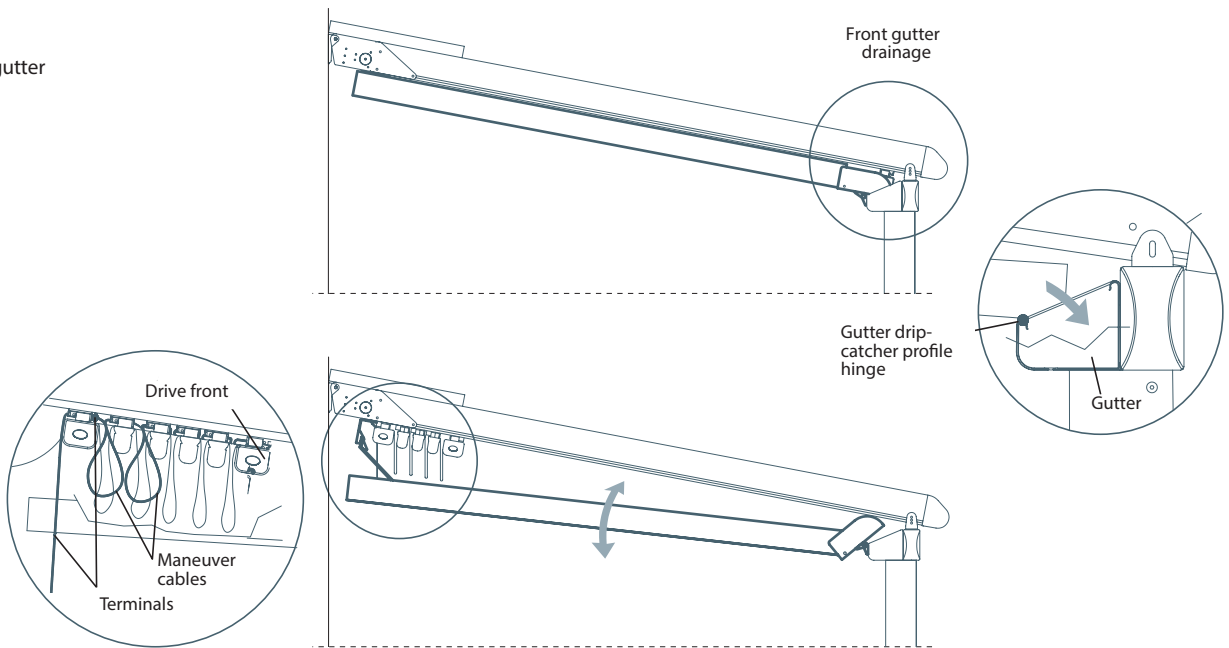
	Bearing profiles guides	Brackets Feet Joint parts	Protection roof made of aluminium trapezoidal shaped
Standard	Anthracite 416	Anthracite 416	Anthracite RAL 7016
	Stainless Steel effect	Stainless Steel effect	Silver metallic RAL 9006
	White RAL 9010	White RAL 9010	White RAL 9010
	Ivory RAL 1013	Ivory RAL 1013	Ivory RAL 1013
	Brown RAL 8017	Brown RAL 8017	Brown RAL 8019
Horizontal profile and terminal bars			
Standard	White RAL 9010 on White PVC		
	Ivory RAL 1013 on PVC champagne, Burgundy/Ivory, Green/champagne, Grey/champagne		
On request (net)	Anthracite 416		
	Stainless Steel effect		
For different colours on quotation			



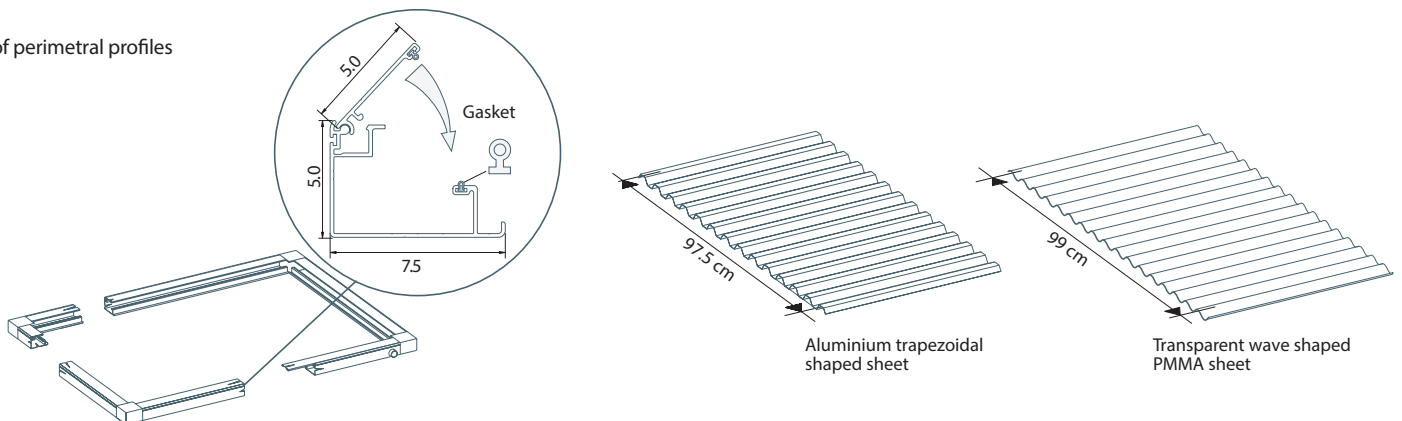
Connections and joints



Lateral movable gutter (Catch Drop)



Roof perimetral profiles



POWDER COATING

- See the table on page 21 for powder coating and combinations

FABRICS

- See the table on page 12 for the fabric variations

PELMET

- standard: type A cm 7

STANDARD

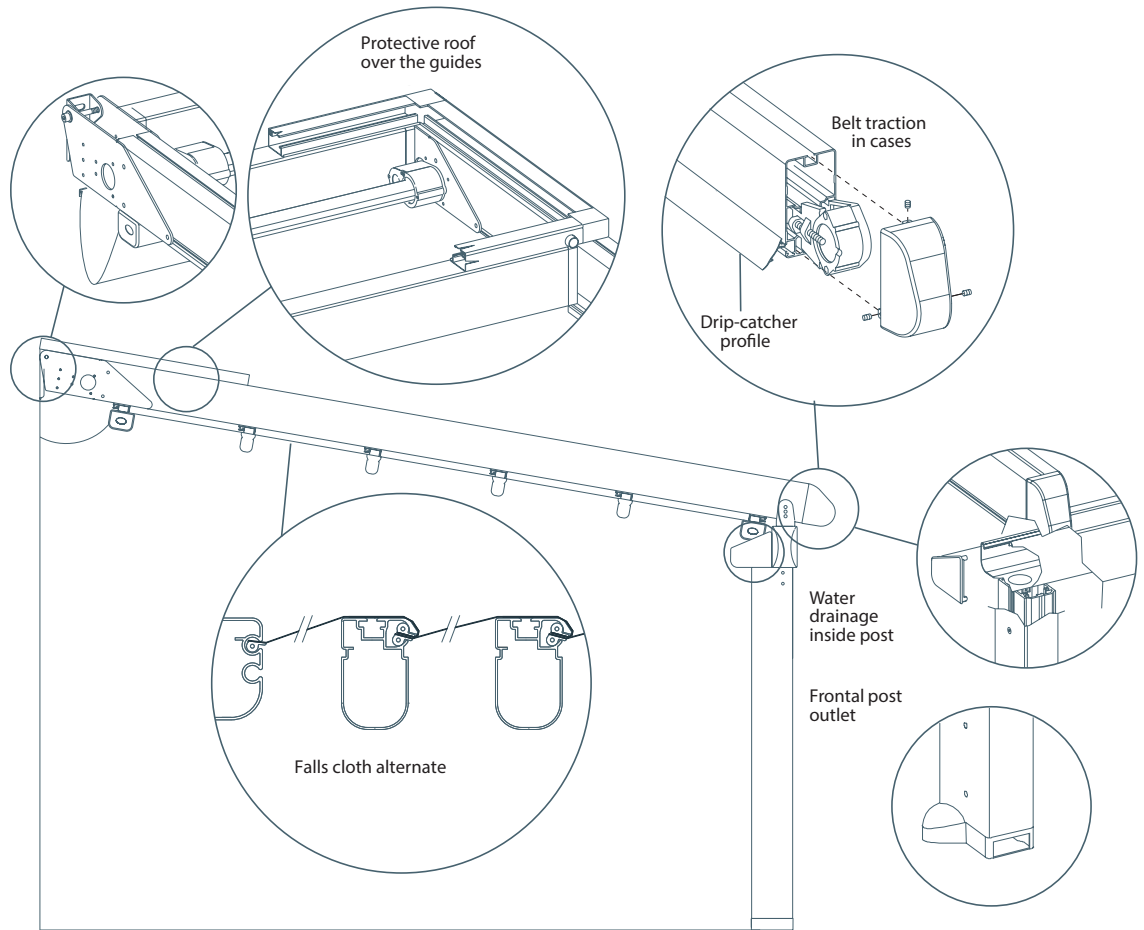
- Front gutter with integrated drainage, 1 per post
- Useful passage H under front support = post H 230 cm

OPTIONAL

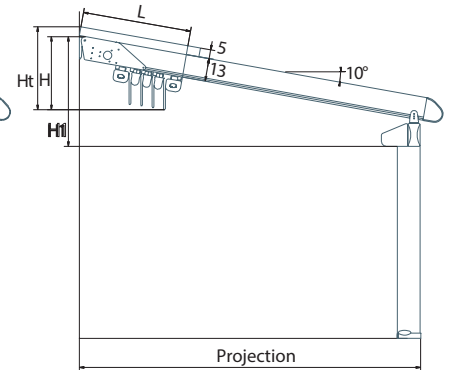
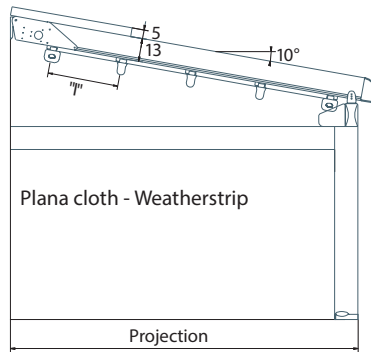
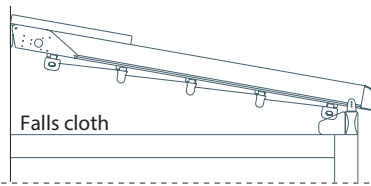
- Roof (see page 92)
- Drip-catcher system (profile and gasket)
- Lateral movable gutter
- Additional support post H 230 cm
- Lower cloth made with clip fastening system on tube (diameter 18) in pocket. Acrylic cloth (see page 126)

ALUMINIUM PROFILES

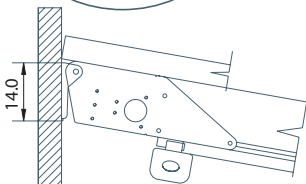
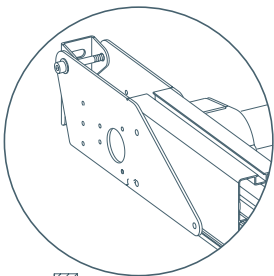
- 70x130-mm Unica 130 Guide
- 70x130-mm front support
- 70x130-mm post
- 70x130-mm roof support



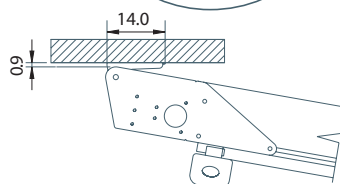
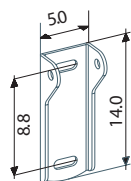
Projection	"I" horizontal profile wheelbase	"L" folding stack dimensions		"H" folding stack height with 5-cm roof		horizontal profile	"H1" excluding roof
		Horizontal	inclination 10%	Horizontal	inclination 10%		
< 250	41÷56	58-65	54-61	41÷46	52÷58	2-3	70
251÷300	41÷56	65-71	61-67	41÷46	53÷59	3-4	70÷79
301÷350	41÷56	71-78	67-74	41÷46	54÷60	4-5	79÷88
351÷400	41÷56	78-84	74-80	41÷46	55÷61	5-6	88÷96
401÷450	41÷56	84-91	80-86	41÷46	56÷62	6-7	96÷105
451÷500	41÷56	91-97	86-93	41÷46	57÷63	7-8	105÷114
501÷550	41÷56	97-104	93-99	41÷46	58÷64	8-9	114÷132
551÷600	41÷56	104-110	93-105	41÷46	59÷65	9-10	132÷140



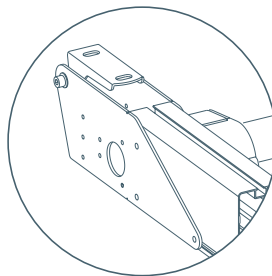
Wall mount



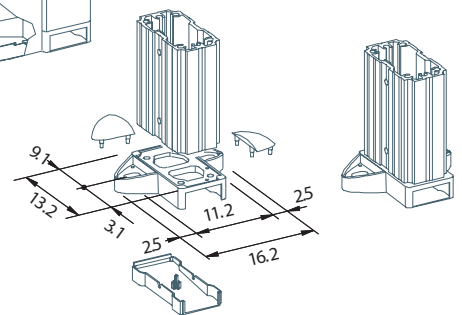
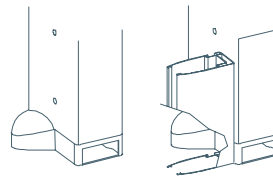
Wall/ceiling mount



Ceiling mount



Foot with reversible water drainage



The foot allows coupling with the Verti guide without interferences