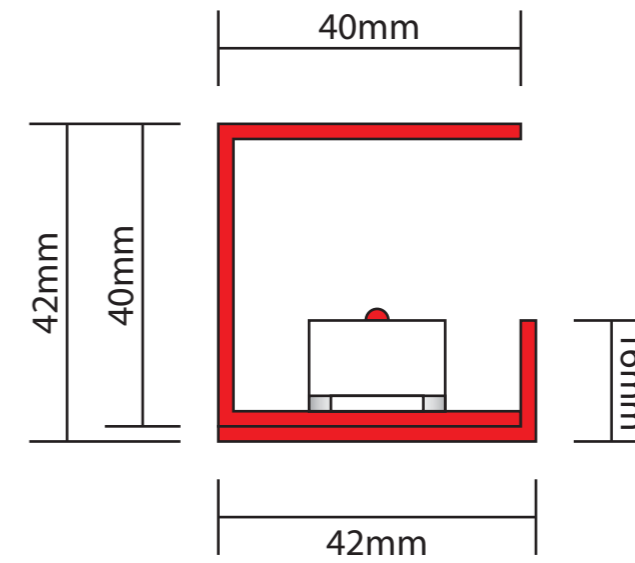
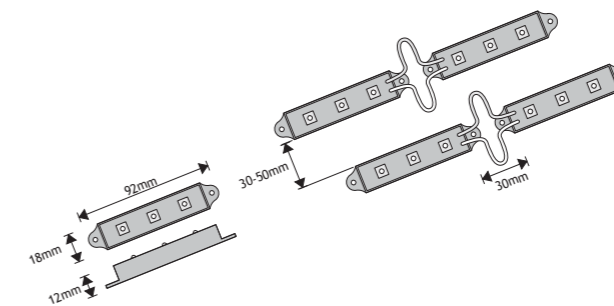


Roof Plan View - Scale 1:100 @ A3



Light Band Section - Scale 1:1 @ A3



LED Lighting - Scale 1:5 @ A3

Roof Lighting Band

Aluminium lighting band fixed around roof perimeter using appropriate fixings.
 Band to have red LED lighting fixed with illumination being static & will not exceed 350cd/m².

L&G SIGNS LTD
 UNIT 3 MILL PLACE, PLATT INDUSTRIAL ESTATE,
 MAIDSTONE ROAD, PLATT, SEVENOAKS,
 KENT, TN15 8FD
 TEL: 01732 783640
 FAX: 01732 789506
 E-MAIL: sales@landgsigns.co.uk

CLIENT: **BURGER KING**
 JOB TITLE/SITE: **CULVERHOUSE CROSS, CARDIFF**

JOB NUMBER: **34658**
 DRAWN BY: **PCL**
 SCALE: **As Stated @ A3**
 DATE: **05/01/15**
 SAVED AS: **BK Culverhouse Cross Cardiff Roof Lighting Band - 34658**

THIS DRAWING IS COPYRIGHT AND MUST NOT BE REPRODUCED WITHOUT PERMISSION. ALWAYS REFER TO PANTONE/RAL NUMBERS FOR COLOURS AS ALL MONITORS AND PRINTERS WILL HAVE DIFFERENT REPRESENTATIONS

DRAWING NUMBER
11136
 © COPYRIGHT L&G SIGNS LIMITED