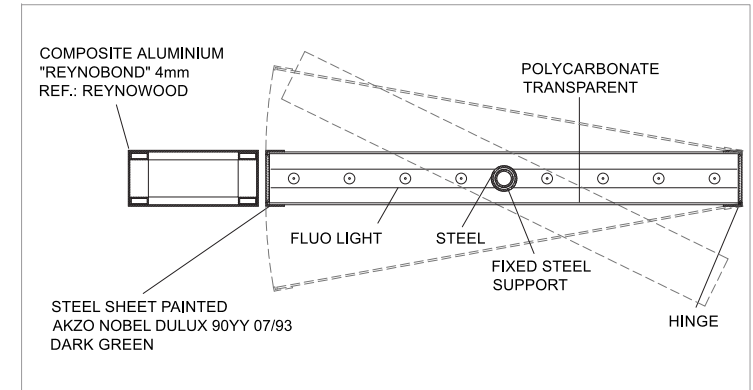




SECTION



**THE VALE OF
GLAMORGAN COUNCIL**

TOWN AND COUNTRY PLANNING ACT 1990

REFUSED

