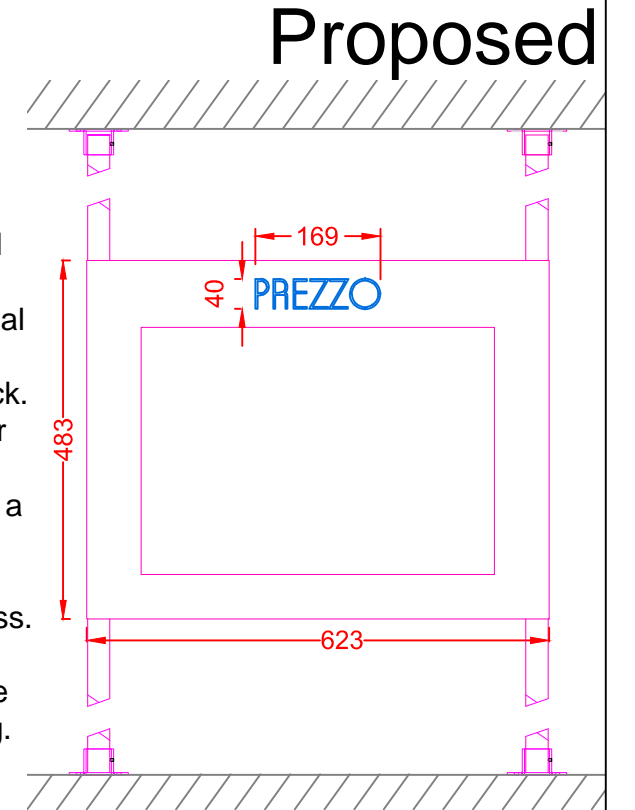


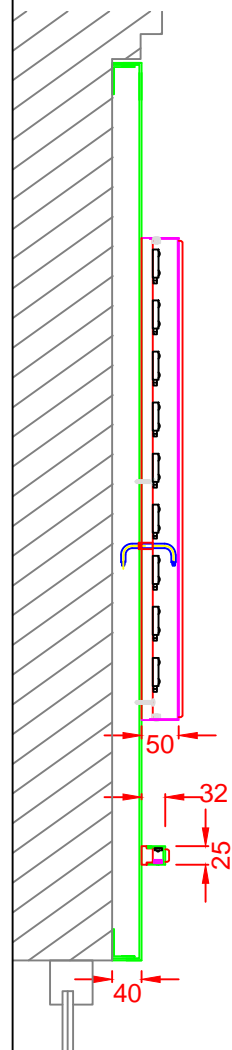
Position of projected sign

Window displayed menu



Proposed

Window displayed menu - 1 off
 Scale 1:10
 Folded 1.2mm descaled stainless steel box is finished black satin.
 Fret cut text has push through 5mm opal 050 acrylic letters.
 Fitted with a rear hinge and chrome lock.
 Window is backed up with a 6mm clear laminated glass panel.
 3mm opal 040 acrylic menu insert with a standard black pin board.
 Internally illuminated from low energy white LEDs being fitted in the top recess.
 Fixed over vertical 30x30mm SHS brushed stainless steel posts which are located immediately behind the glazing.



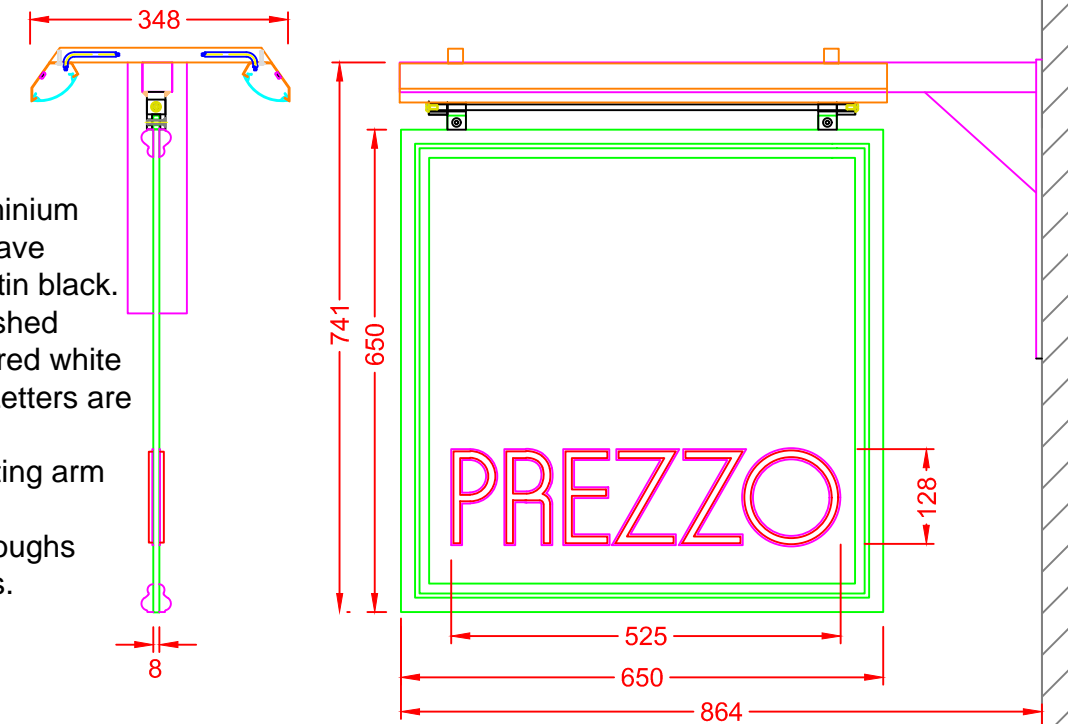
Section A-A through the text and lightline
 Scale 1:10
 Folded and welded 2.5mm aluminium fascia panel is finished black satin.

Built-up letters have 1.2mm mirror polished stainless steel returns and faces.
 Chamfered 5mm white 069 acrylic is bonded to the faces.
 Rebated 10mm opal 030 acrylic backs.
 Fitted with low energy white LEDs for halo illumination.

Light lines are mirror polished stainless steel channels.
 Chamfered 5mm white 069 acrylic is bonded to the face.
 Rebated 15mm opal 030 acrylic back.
 Fitted with low energy white LEDs for halo illumination.



Projected Sign - 1 off
 Scale 1:10
 Manufactured from an 8mm aluminium panel with a reverse fixed architrave border, all of which is finished satin black.
 Text is flat cut 1.2mm mirror polished stainless steel with 5mm chamfered white 069 acrylic bonded to the front. Letters are bonded to the hanging panel.
 Panel fixes to a mild steel projecting arm finished eggshell black.
 Externally illuminated by black troughs fitted with low energy white LEDs.



2014/01019/FUL
 Received 9
 October 2014

A Halo illuminated fascia
 Externally illuminated proj sign 21/08/14

 Technical Signs Floor 1 - Unit 3 Hille Business Centre 132 St Albans Road Watford, Herts, WD24 4AE Tel: 01923 811999 Fax: 01923 811998 E-mail: info@technicalsigns.co.uk	Client Prezzo	
	Address/Job details 16 Windsor Rd Penarth CF64 1HJ	
Proposed Signs		
Job No		
Drawn by DN	Date 13/08/14	
Scale As specified (A3)	Drawing No 437914-2	Rev A