

THE VALE OF
GLAMORGAN COUNCIL
TOWN AND COUNTRY PLANNING ACT 1990

REFUSED

projection sign only

THE VALE OF
GLAMORGAN COUNCIL
TOWN AND COUNTRY PLANNING ACT 1990

APPROVED

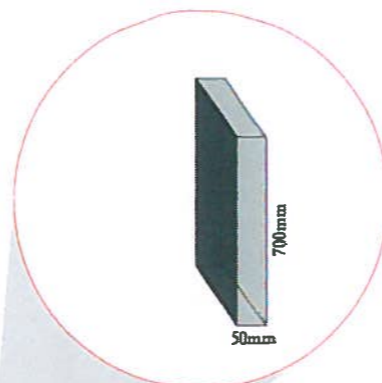
SUBJECT TO COMPLIANCE WITH CONDITIONS (IF ANY)

in part

Projection Sign double sided



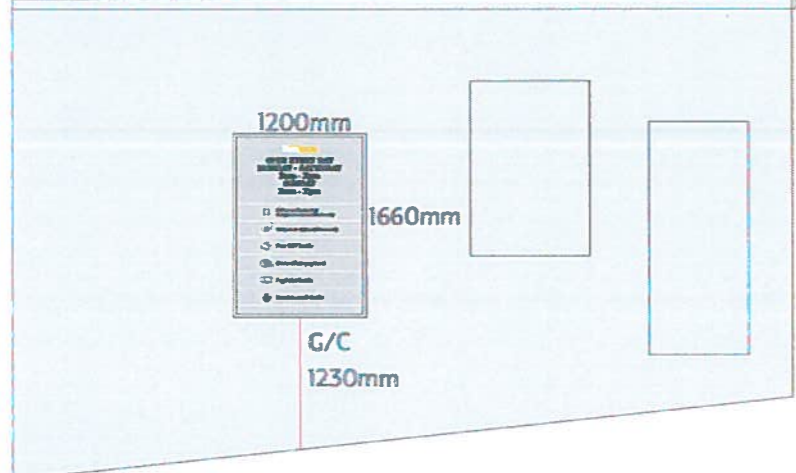
Cover existing sign with 3mm White faced Aluminium composite with full colour vinyl graphic applied to face



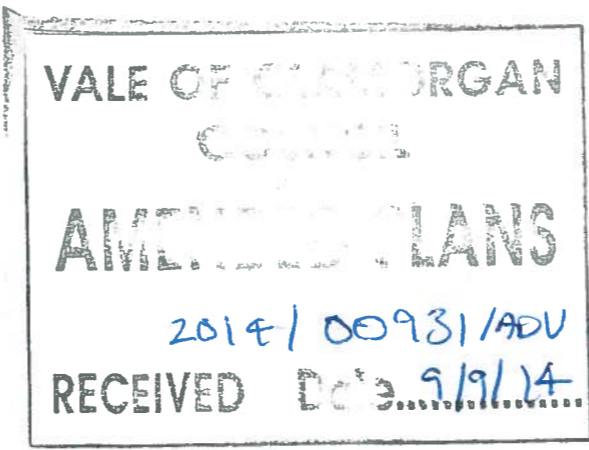
Nisa Fascia
3mm thick Grey Aluminium tray 50mm deep
with face applied vinyl graphics
Illuminated via LED troughlighting
Blue = Pantone 2748c
Yellow = Pantone 123c
Grey = RAL 7024
Max cap height 512mm "N"



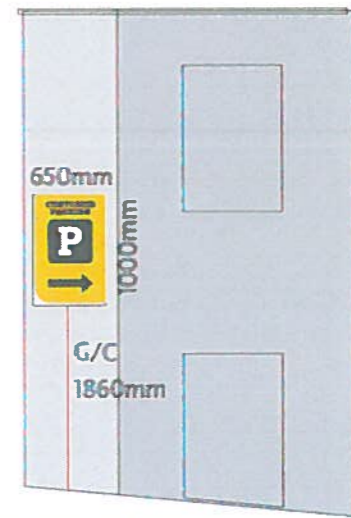
Side Elevation



Mock windows
4mm Clear Polycarbonate panel with internally applied full colour vinyl graphic in extruded aluminium frame



Side Elevation Northcote Terrace



3mm White faced Aluminium composite with full colour vinyl graphic applied to face



Customer: Arwinder Singh
Site Address: 1 Vere Street
Barry
CF63 2HX

Date: 18/03/2014
Designed by: Tracy Harris
Version: 6
Date modified: 09/09/2014

Customer approval signature:
Name:
Date:

Signature line 1

Signature line 2

Signature line 3