

# JOINT ASSEMBLIES

Section 4.81

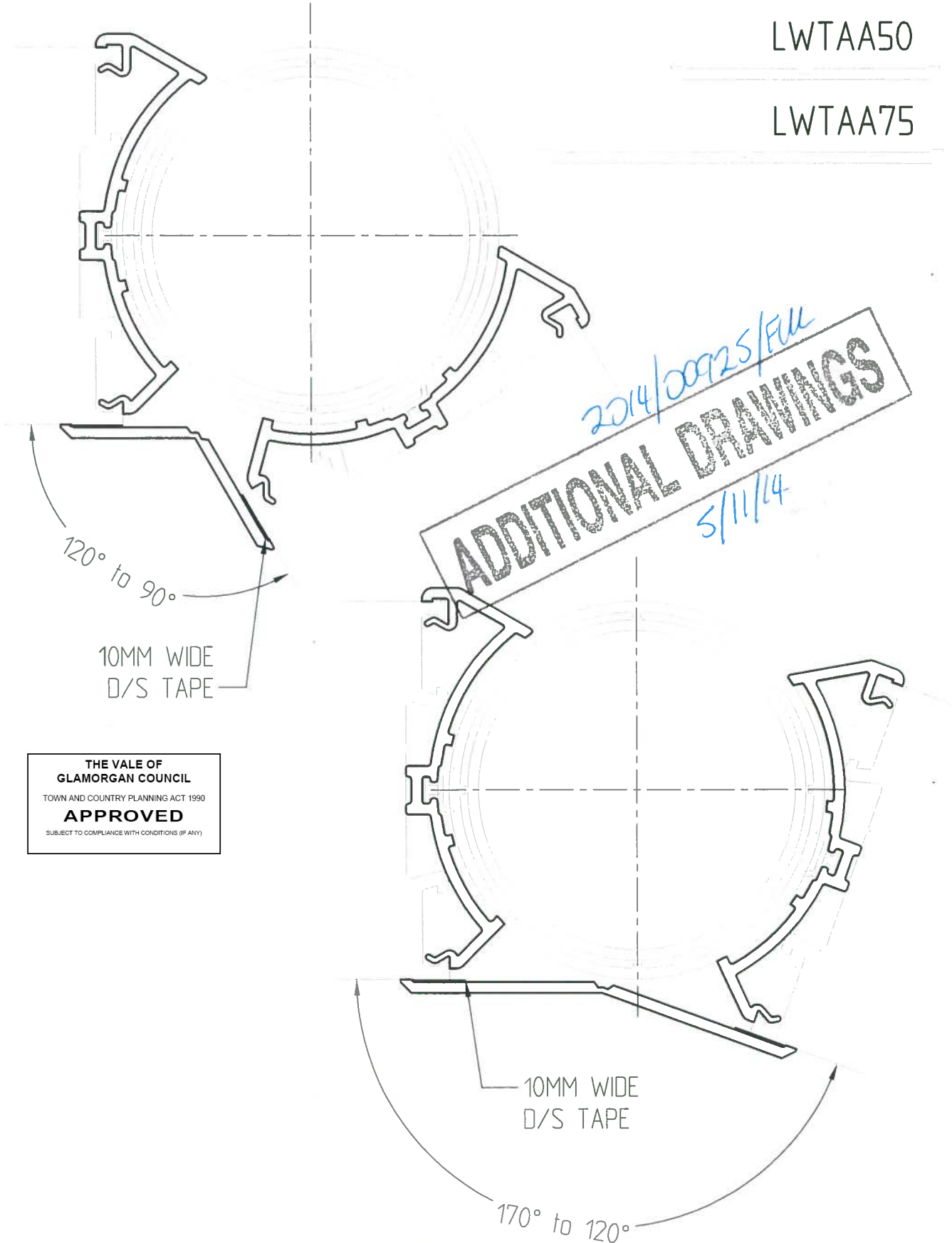


## Bay Pole Nest Assembly

### Adjustable Angle Trims

LWTAA50

LWTAA75



THE VALE OF  
GLAMORGAN COUNCIL  
TOWN AND COUNTRY PLANNING ACT 1990  
**APPROVED**  
SUBJECT TO COMPLIANCE WITH CONDITIONS (IF ANY)

Note: Bay Pole Joint Deduction, 70mm

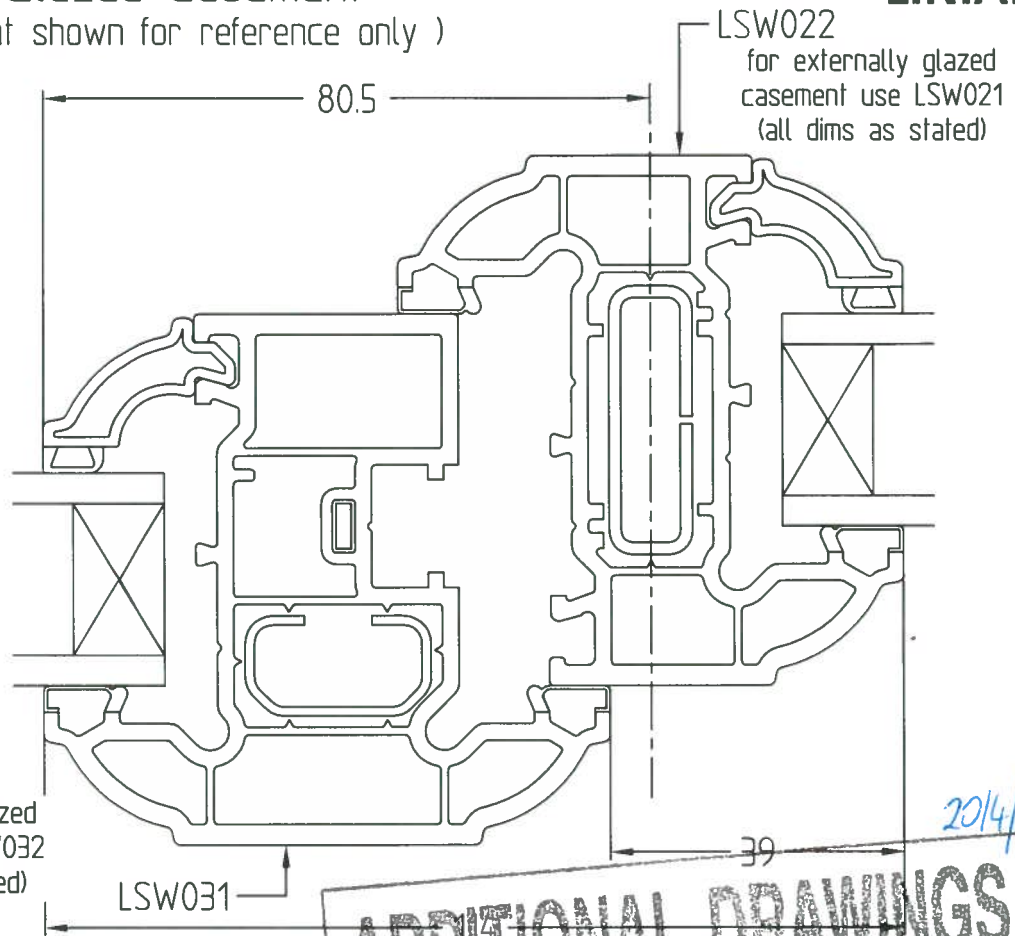
# TYPICAL ASSEMBLIES

Section 3.11

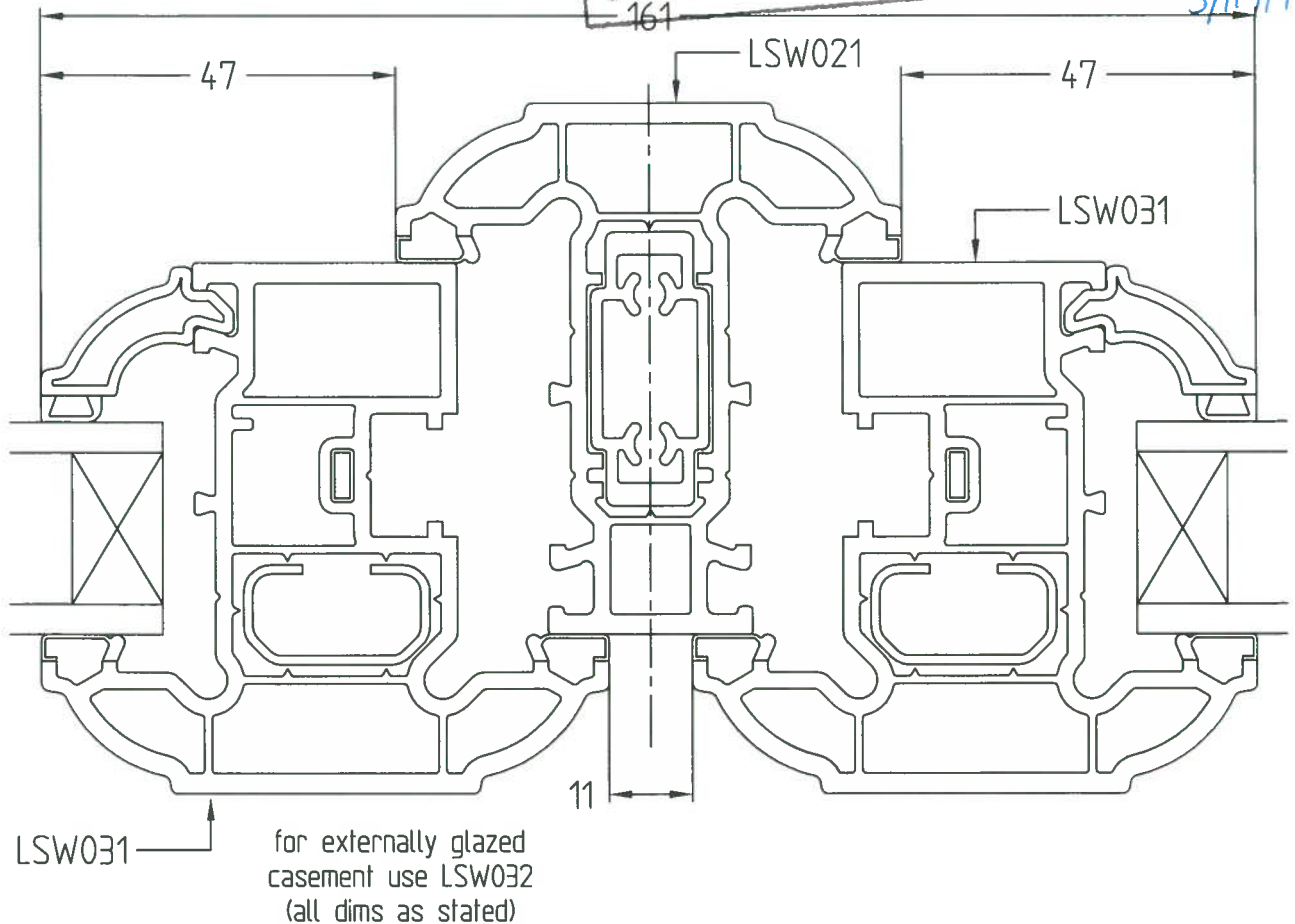


## Internally Glazed Casement ( reinforcement shown for reference only )

THE VALE OF  
GLAMORGAN COUNCIL  
TOWN AND COUNTRY PLANNING ACT 1990  
**APPROVED**  
SUBJECT TO COMPLIANCE WITH CONDITIONS (P/ANY)



**ADDITIONAL DRAWINGS**  
161  
5/11/14



# TYPICAL ASSEMBLIES

## Section 3.1



### Internally Glazed Casement ( reinforcement shown for reference only )

THE VALE OF  
GLAMORGAN COUNCIL  
TOWN AND COUNTRY PLANNING ACT 1990  
**APPROVED**  
SUBJECT TO COMPLIANCE WITH CONDITIONS (IF ANY)

