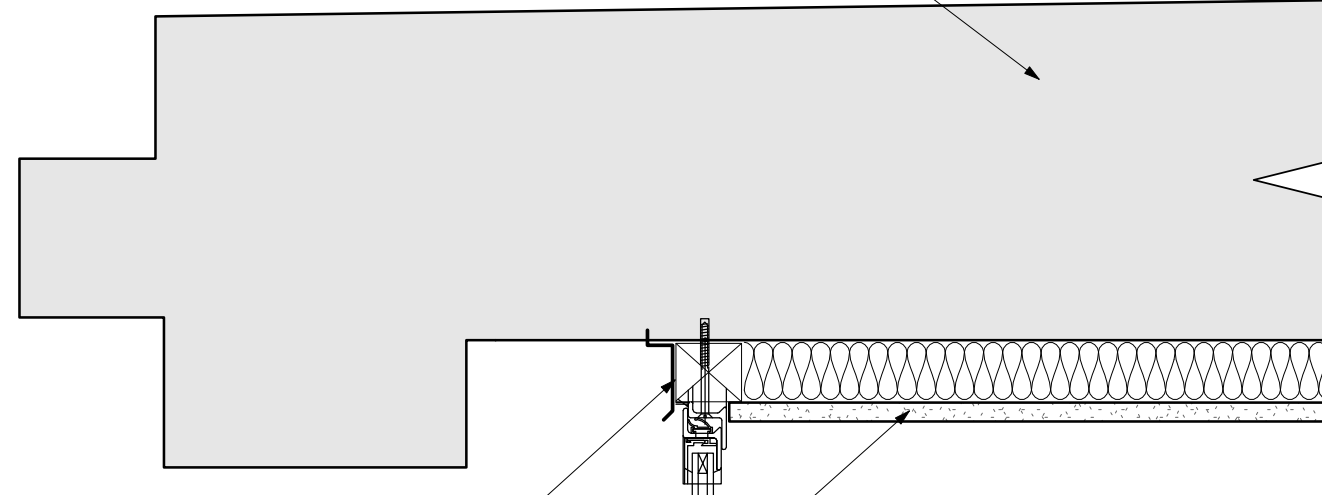


Condition of porch roof assumed to be suitable.
Assumed construction to be reinforced concrete. Porch roof and column to remain unaltered, aside from repairs and glazing fixing to the underside of the roof.



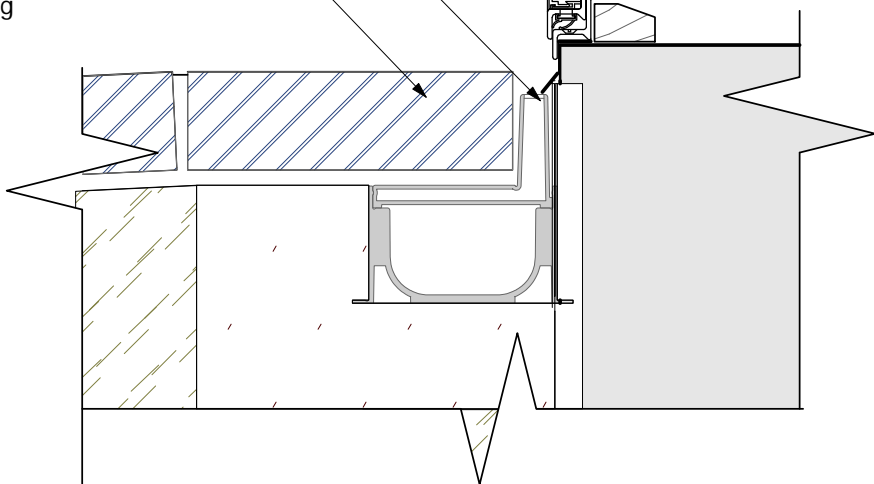
Head Detail

Flashing chased into roof with mastic bead as per manufacturers specification

Insulated foil backed plasterboard. Thickness subject to detailed building survey and requirements to meet Part L requirements

Linear drain to run around extent of porch. Installed as per manufacturers specification

Selected paving to fall away from building

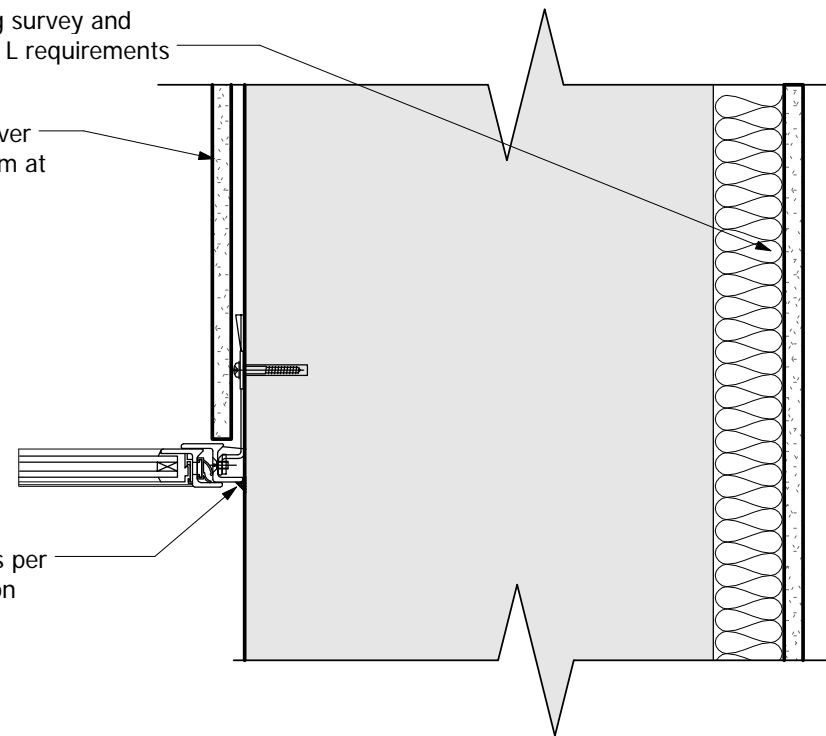


Sill Detail

Insulated foil backed plasterboard. Thickness subject to detailed building survey and requirements to meet Part L requirements

Foil backed plasterboard over existing wall with metal trim at edge finishing flush with windows

Frame and mastic bead as per manufacturers specification



Jamb Detail



NOTES

Details are for planning purposes only and are not to be used for construction. Details are prepared based on a visual inspection only of the building.

Linear drain to be installed around perimeter of porch with damp proof course lapped over drainage channel and underneath threshold plate, window sill and flashings.

Windows are to be **Homelight 'L'™ Residential** and the following is standard for all Homelight windows. Laminated safety glazing to all full height windows.

Windows - generally manufactured in accordance with BS 6510 F section.

Weathertightness: To BS 6375: Part 1.
Exposure category (design wind pressure): 2000 (Pa).

Operation and strength characteristics: To BS 6375: Part 2.

Construction: All frames have welded corners and are flat and square within normal manufacturing dimensional tolerances of ± 1.5mm.

Galvanising: All components including steel attachments, coupling members and ancillaries: hot dipped after manufactured to BS EN ISO 1461:1999.

Glazing details: Will accept double glazing up to 24mm in thickness (excepting 'H' Small Pane and certain 'N' & 'Z' range casements, see catalogue/brochure/ask for details). Glazing beads present no horizontal ledges on which dust and dirt can gather.

Glazing to be 4 mm clear float outer / 16mm Argon filled cavity / 4mm soft coat Low E DG units for compliance with Part L of the Building Regulations

Weatherstripping: Dual fin gaskets in extruded PVC secured by studs clipped into inner frame sections.

Ironmongery/accessories: TBC, ironmongery will be in keeping with the character of the building.

Finish as delivered: Galvanised or Duralife™ polyester powder coated (see clause 331) in a range of colours.

ISSUED FOR PLANNING

Rev	Description	By/Chk/App	Date
-----	-------------	------------	------

Stavrakis Consultants

5TH FLOOR, LONGCROSS COURT,
47 NEWPORT ROAD, CARDIFF
CF24 0AD

TEL: +44 (0)29 2082 9200
TEL: SBA: +44 (0)29 20 320 750
FAX: +44 (0)29 2045 5321
FAX: SBA: +44 (0)29 20 450 629
email: cardiff@wyg.com



Project: A085825

Residential Conversion
Hayes Point, Sully

Drawing Title:

Porch Details

Scale @ A3	Drawn	Date	Checked	Date	Approved	Date
1 : 5	SM		SM			
Project No.	Type	Drawing No.	Revision			
A085825		A17				