

THIS PRODUCT INCLUDES MAPPING DATA LICENSED FROM ORDNANCE SURVEY ®. © CROWN COPYRIGHT AND/OR DATABASE RIGHT 2003. LICENSE NUMBER: 0100031673



**Parsons Brinckerhoff**

Queen Victoria House, Redland Hill, Bristol, United Kingdom, BS6 6US  
Tel: 44-(0)117 9339300 Fax: 44-(0)117 9339253

• CLIENT/PROJECT

BioGen POWER LTD  
ENVIRONMENTAL STATEMENT  
BARRY

• TITLE

APPLICATION BOUNDARY

• DATE 28/05/2008

• SCALE 1:5000 @ A4

• CAD REF \\FSE\970\27B\Z\1\FSE97027B-F2.1

DRAWN BY JSdS

PRODUCED BY JSdS

CHECKED

APPROVED

• DRAWING NUMBER

FIGURE 2.1

© Copyright Parsons Brinckerhoff



REV	DATE	DESCRIPTION	BY	CHKD	APPD
-----	------	-------------	----	------	------

• NOTES  
KEY

— APPLICATION  
BOUNDARY

THIS DRAWING WAS PRODUCED USING AUTOCAD AND SHOULD ON NO ACCOUNT BE AMENDED BY HAND



**Parsons Brinckerhoff**

Queen Victoria House, Redland Hill, Bristol, United Kingdom, BS6 6US  
Tel: 44-(0)117 9339300 Fax: 44-(0)117 9339253

• CLIENT/PROJECT

BioGen POWER LTD  
ENVIRONMENTAL STATEMENT  
BARRY

• TITLE

AERIAL PHOTOGRAPH

• DATE 09/04/2008

• SCALE Not to Scale

• CAD REF \\FSE\970\27B\Z\1\  
FSE97027B-F2.2.dwg

DRAWN BY JSdS

PRODUCED BY AMcK

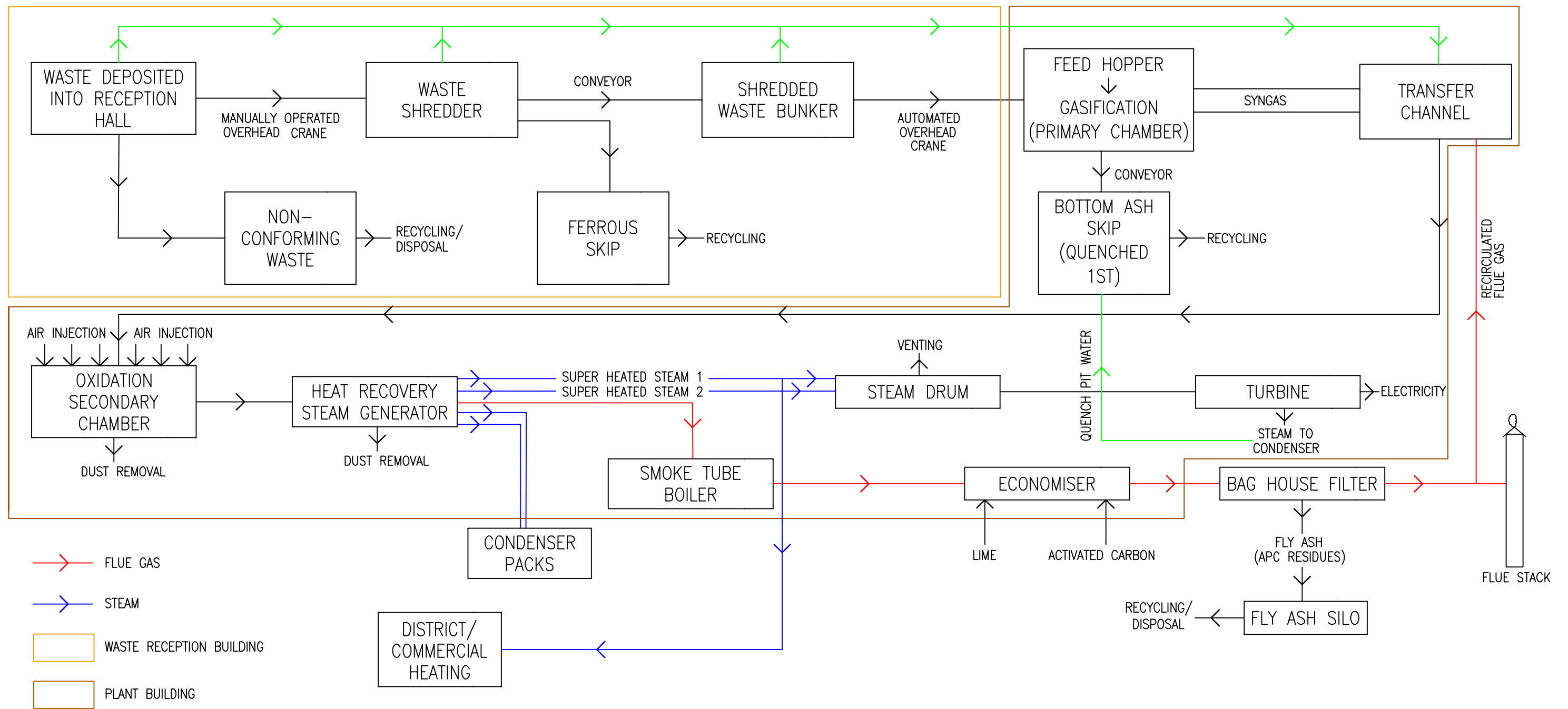
CHECKED AMcK

APPROVED

• DRAWING NUMBER

FIGURE 2.2

© Copyright Parsons Brinckerhoff



REV	DATE	DESCRIPTION	BY	CHKD	APPD

• NOTES



**Parsons Brinckerhoff**  
 Queen Victoria House, Redland Hill, Bristol, United Kingdom, BS6 6US  
 Tel: 44-(0)117 9339300 Fax: 44-(0)117 9339253

• CLIENT/PROJECT

BioGen POWER LTD  
 ENVIRONMENTAL STATEMENT  
 BARRY

• TITLE

PROCESS FLOW SCHEMATIC

• DATE 28/07/08

• SCALE Not to Scale

• CAD REF \FSE\970\27B\Z\1\ Process Flow\Fig 2.5

DRAWN BY BRG

PRODUCED BY RGS

CHECKED

APPROVED

• DRAWING NUMBER

**FIGURE 2.5**

© Copyright Parsons Brinckerhoff

THIS DRAWING WAS PRODUCED USING AUTOCAD AND SHOULD ON NO ACCOUNT BE AMENDED BY HAND

00/00/00