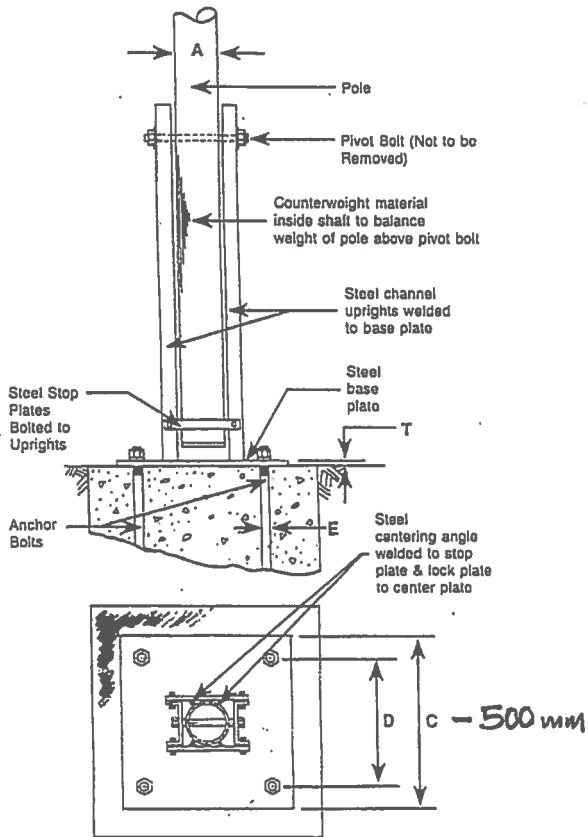


1800222FUL

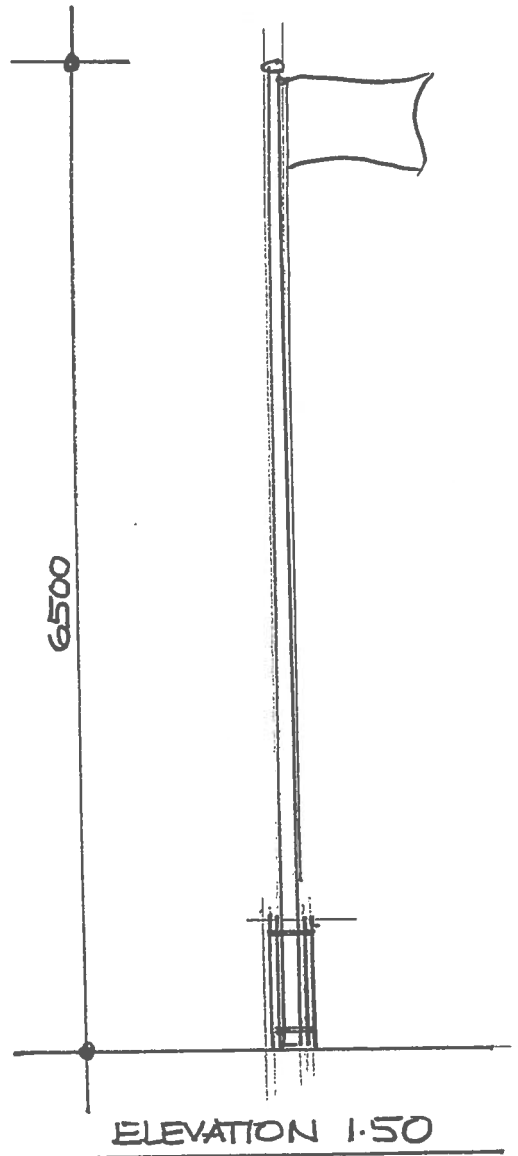
\* NOTE POLE BASE DESIGN TO ENABLE POLE TO BE LOWERED INTO HORIZONTAL FOR MAINTENANCE.

POLE - ALUMINIUM CONSTRUCTION WITH COUNTER BALANCE WEIGHTS INSIDE BASE SECTION.

POLE 125mm  $\phi$  AT BASE  
80mm  $\phi$  AT TOP.



PLAN/SECTION OF POLE BASE NTS.



SEE SITE PLAN FOR POSITIONING OF FLAGPOLE



Barry Mayled  
B.Sc (Hons) B.Arch (Dist)  
HNC Garden Design (Dist) RIBA

Architect & Garden Designer  
Augusta Studio  
'The Court'  
16a Augusta Road  
Penarth  
Vale of Glamorgan  
CF84 5RH

Tel: 029 2070 5864  
Fax: 029 2070 0603

Email: mayled@homesandgarden.fsnet.co.uk

Do not scale this drawing.

Architect to be notified of any discrepancies in figured dimension.

Contractors must check all dimensions on site.

This drawing is copyright.

Preliminary

Information

Construction

Revision:

--	--	--	--	--	--	--	--

Job Title:

EXTENSIONS TO DINAS  
- POWYS SCOUT HALL.

Drawing Title:

FLAGPOLE DETAIL/ELEVATION

Job No:

1101

Drawing No:

FLAGPOLE  
01.

Scales:

1:50 - ELEVATION

Drawn:

BFM.

Checked:

Date:

MAR 26/1