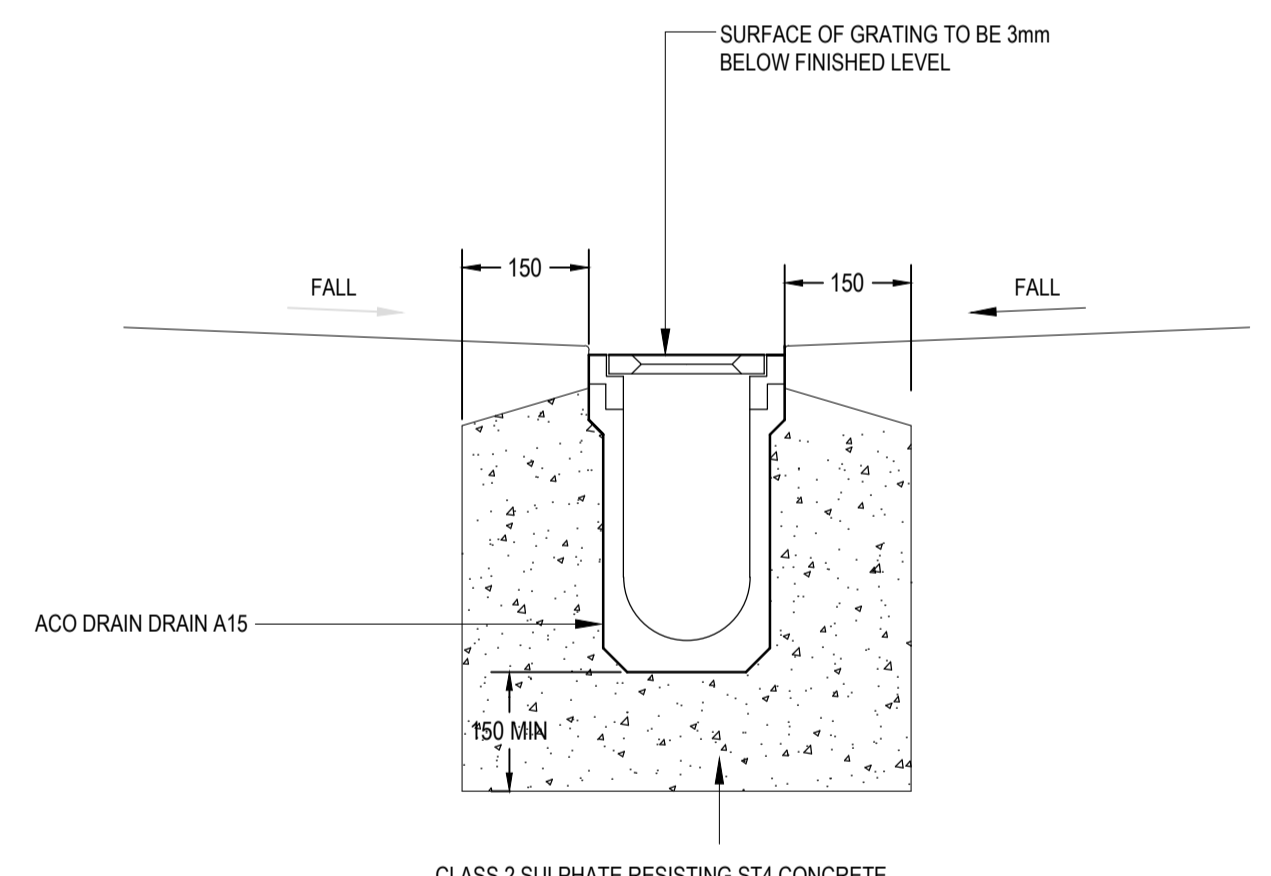
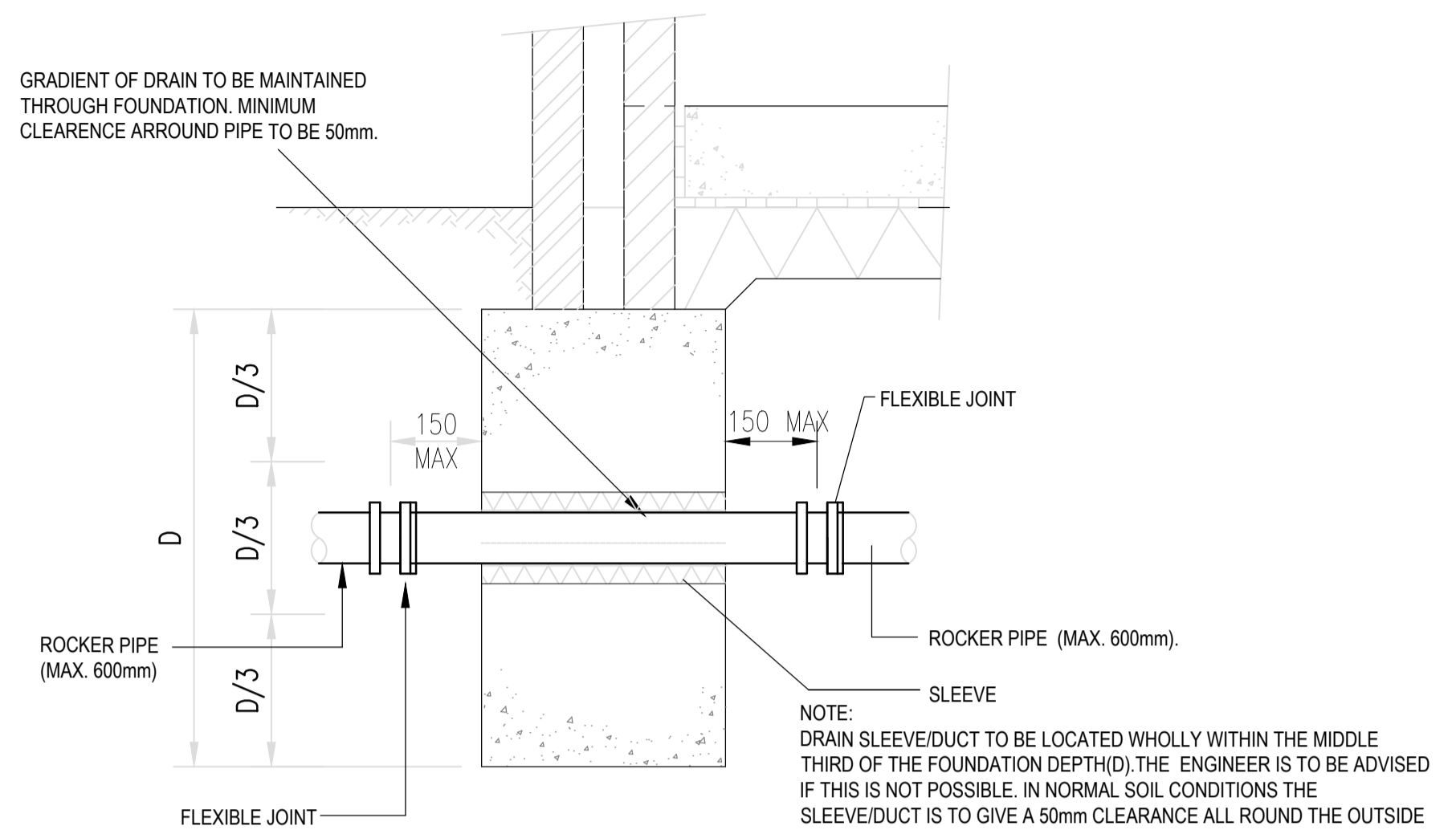


DETAIL E
BESIDE EXTERNAL WALL
SCALE 1:10

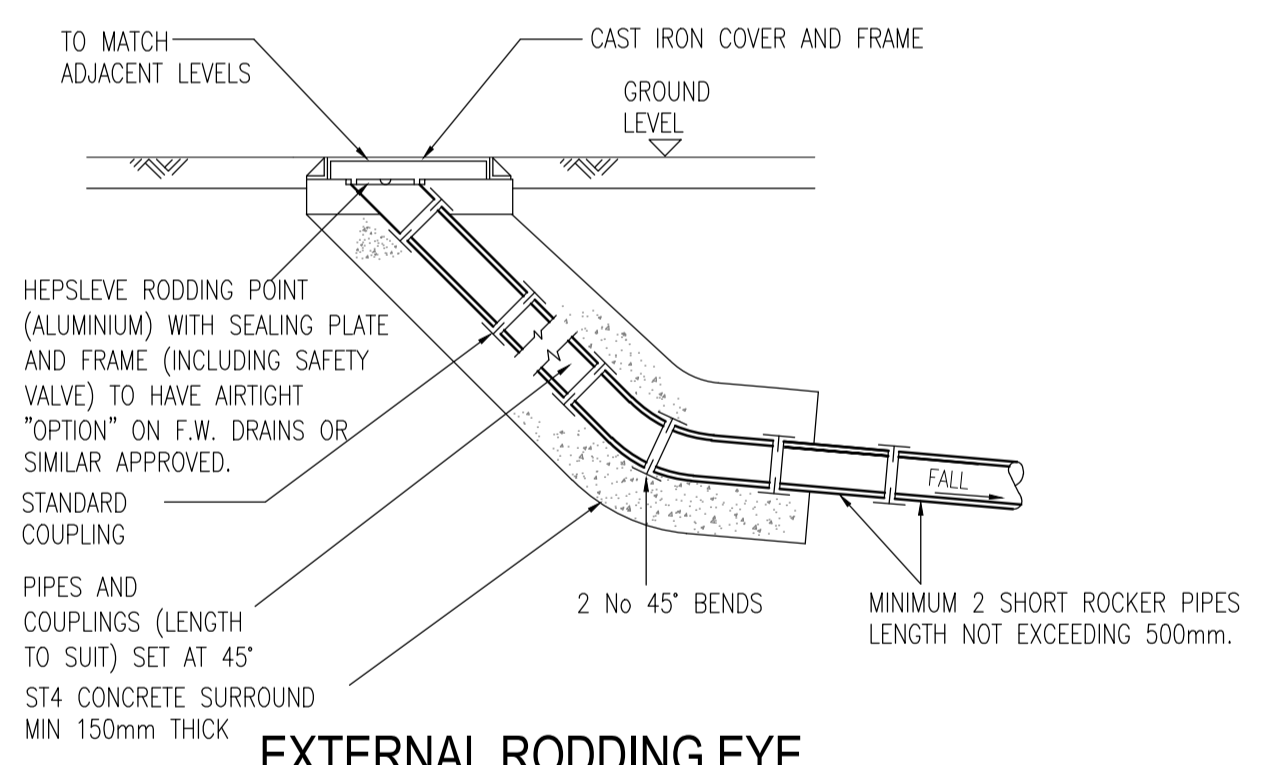


LINEAR DRAINAGE
NTS

- NOTES
1. DRAINAGE CHANNELS TO BE ACO RAIN DRAIN A15 OR SIMILAR APPROVED IN ACCORDANCE WITH MANUFACTURERS INSTRUCTIONS.
 2. GRATING TO BE GALVANISED STEEL LOADING CLASS A15.
 3. FOUNDATION FOR CHANNELS TO BE LAID ON A ROLLED SUB-BASE OF 100mm MINIMUM THICKNESS.
 4. OUTLETS TO BE ACO RAIN DRAIN SUMP UNIT, DISCHARGING VIA 100mm PIPE TO FRENCH DRAIN.
 5. DETAIL ONLY APPLICABLE FOR BIN STORE AREA.

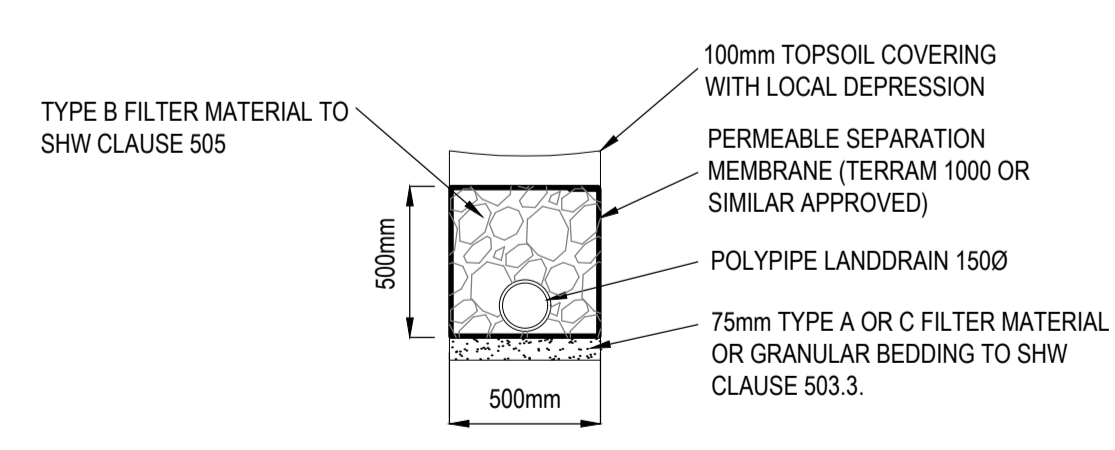


DETAIL C
THROUGH FOUNDATION
SCALE 1:10



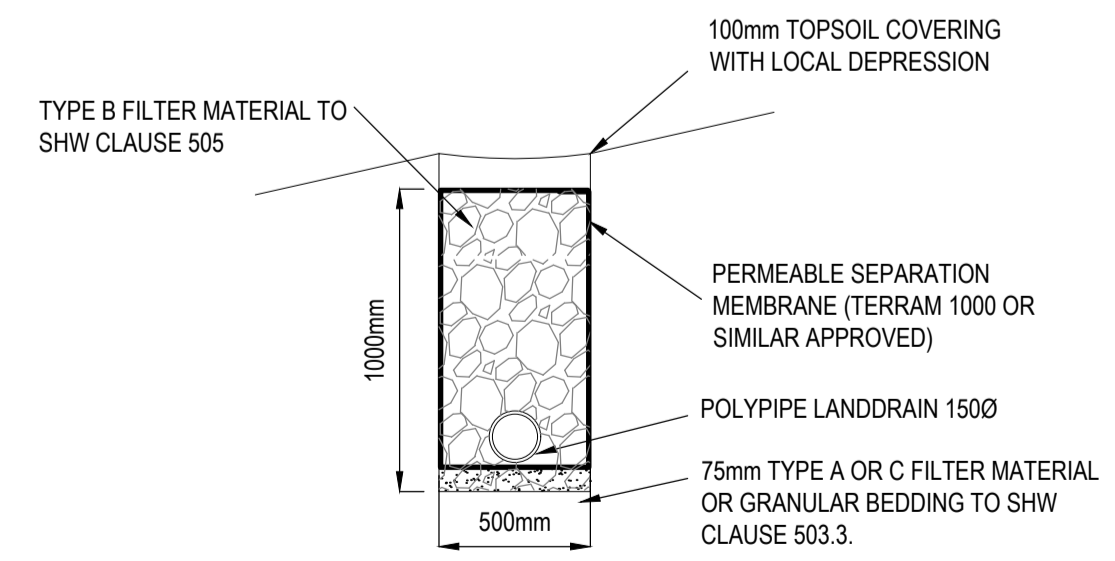
EXTERNAL RODDING EYE
SCALE 1:20

COVERS IN PATHS TO BE MEDIUM DUTY
COVERS IN GARDENS TO BE LIGHT DUTY



- NOTES
1. WHERE ON-SITE CONDITIONS SUCH AS THE DISCOVERY OF TPO TREE ROOTS DICTATE THAT THE FRENCH DRAIN CANNOT BE CONSTRUCTED TO THE SAME DEPTH OR WIDTH, THE CONTRACTOR IS TO CONSULT WITH THE ENGINEER.

FRENCH DRAIN DETAIL
SCALE 1:25



INTERCEPTOR DRAIN DETAIL
SCALE 1:25

C4	07.10.16	INTERCEPTOR DETAIL ADDED	SJ	CP
C3	20.09.16	RODDING EYE DETAIL ADDED	SJ	CP
T2	09.03.16	LINEAR DRAINAGE DETAIL ADDED	SJ	CP
T1	10.02.16	TENDER ISSUE	AH	CP
Rev	Date	Description	By	Apvd

Project
BRYN EITHIN
DINAS POWYS

Title
DRAINAGE CONSTRUCTION DETAILS
SHEET 3

Client
PORTABELLA

Scale @ A1
AS SHOWN

Project Ref	Drawing No	Rev
C15241	507	C4

REVISION REFERENCING
P = Preliminary A = Approval T = Tender C = Construction

