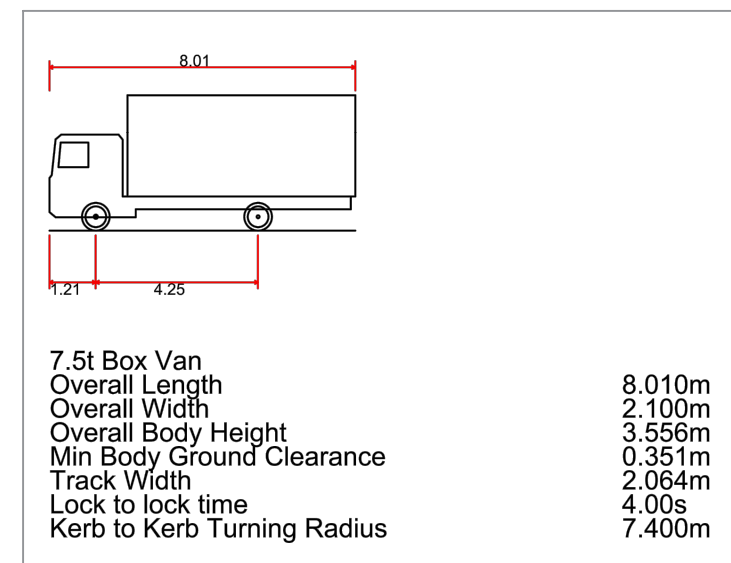
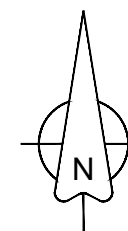


SCALE - 1:100

1:500 @ A3



KEY	
	VEHICLE WHEELS PATHING
	VEHICLE OVERHANG PATHING



Proposed Redevelopment Former Medical Centre Cardiff Road, Dinas Powys	Job No. 17_006 Dwg No. AL(90)06 Rev.
Title Proposed Site Vehicle Tracking	
Date 03/01/18	Drawn WS
Scale NTS unless specified	
<small>Unit 1A, Compass Business Park, Pacific Road, Cardiff, CF24 5HL. www.c-jarchitects.co.uk tel: 029 20452100</small>	